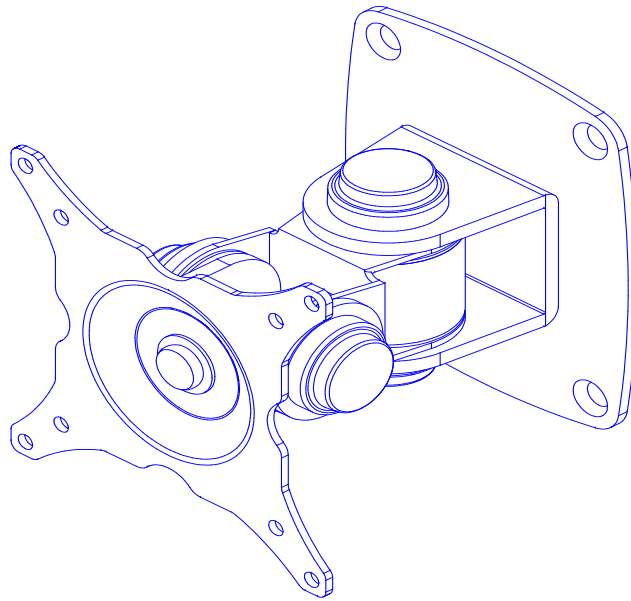


**66584**

**LOW PROFILE WALL MOUNT**



**For Flat Panels Up To 23"**

**Assembly Instructions**

# FLAT PANEL WALL MOUNTS

## IMPORTANT WARNINGS AND CAUTIONS

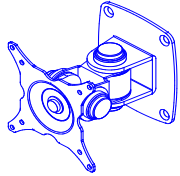
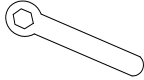
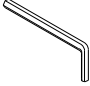
Failure to provide adequate structural strength for the installation of this kit can result in serious personal injury or damage to the equipment! It is the installer's responsibility to make sure the structure to which this mount is attached can support three times the combined weight of all equipment.

It is also the installer's responsibility to determine the type of wall and the best wall mounting hardware to use for the safe installation of this equipment. Follow the hardware suppliers instructions for the correct predrill and hole depth for your wall and the type anchor you have chosen.

## WARNING

This mount is designed for up to a 23" Flat Panel Monitor. Do not exceed this size limit or hang additional items from this mount.

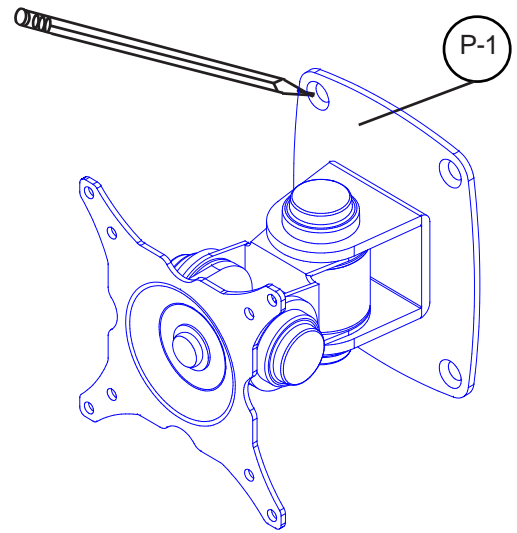
# 66584 Low Profile Wall Mount

Part Drawing	Description	Qty	Part Drawing	Description	Qty
P-1	 LP Wall Mount	1 EA	A	 Box End Wrench	2 EA
			B	 Allen Wrench M-4	1 EA

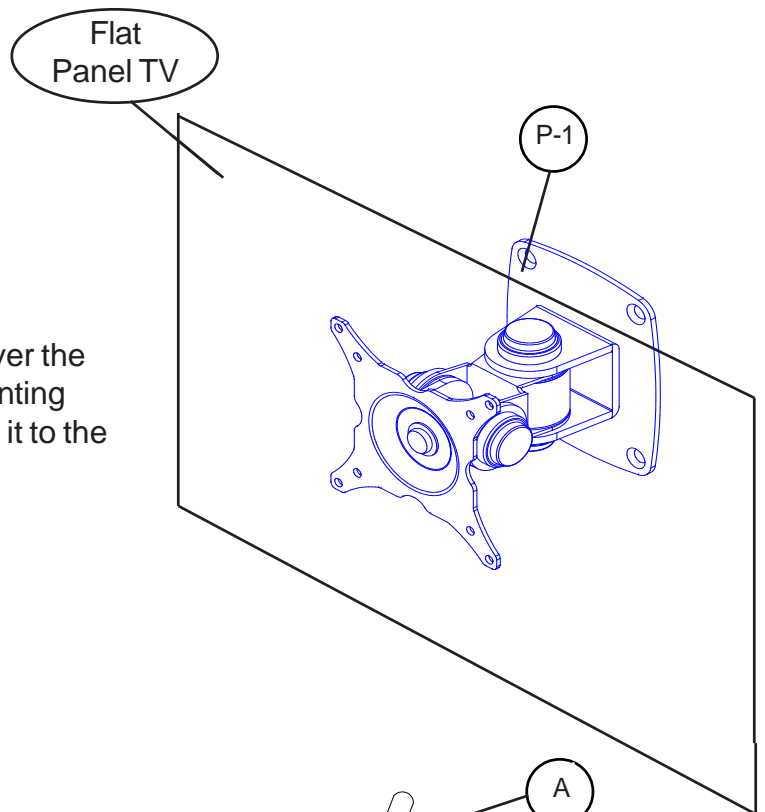
# BLT-66584 Instructions

1. Locate and mark the mounting holes for the Low Profile Wall Mount (P-1) on your wall.

2. Using the correct mounting bolts, anchors or screws (see **WARNINGS** on page 2) for the type wall you have, attach the Low Profile Wall Mount (P-1) to the wall.



3. Position the back of your Flat Panel TV over the Low Profile Wall Mount (P-1). Use the mounting hardware that came with your TV to attach it to the Wall Mount.



5. To adjust the tension of your Flat Panel TV Mount, remove the caps covering the adjustment bolts and nuts. Adjust the nuts, bolts, and set screws using two Box End Wrenches (A) and Allen Wrench (B) to achieve your desired tension.

