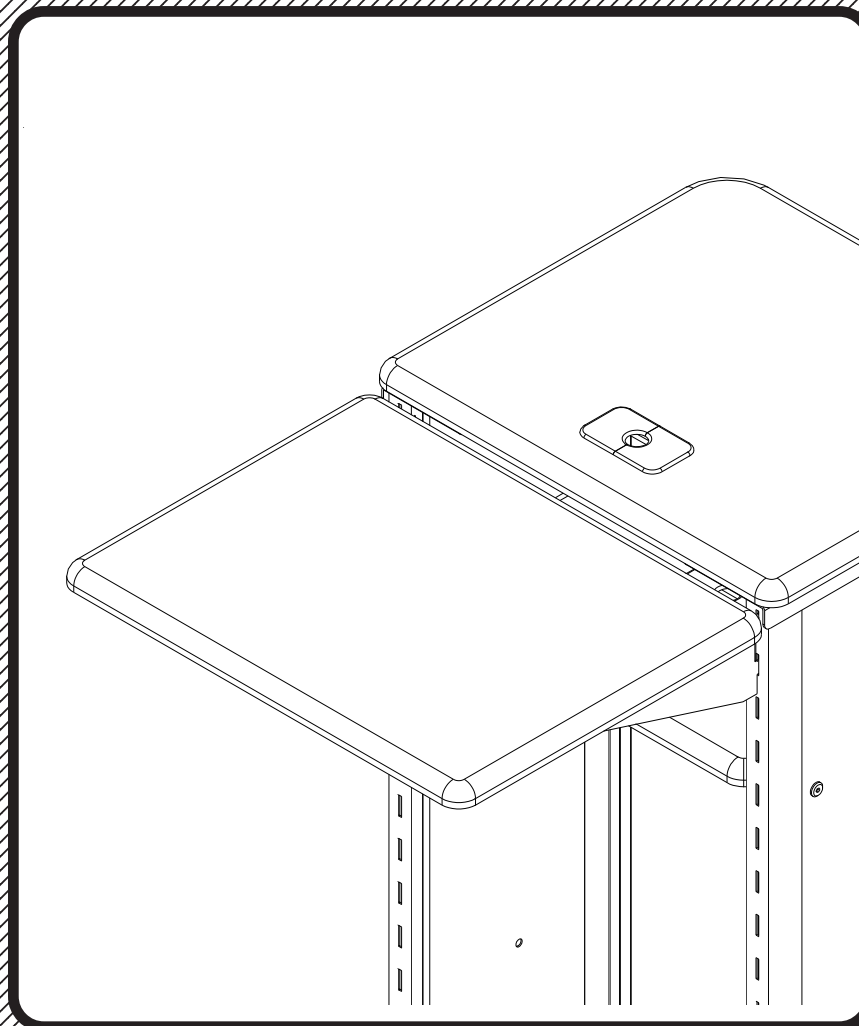
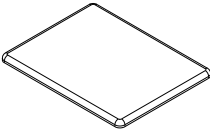


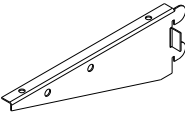
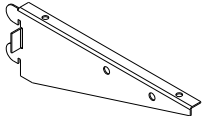


34458 Optional Shelf

for Presentation Cart #27519



Assembly Instructions

Part	Drawing	Description	Qty	Part	Drawing	Description	Qty
P1		Wood Platform	1 EA	<div style="border: 2px solid black; border-radius: 15px; padding: 10px;"> <p style="text-align: center; margin: 0;">Hardware List</p> <p>A  9/16"Socket Screw 4 EA</p> <p>B  Allen Wrench 1 EA</p> </div>			
P2		Right Shelf Bracket	1 EA				
P3		Left Shelf Bracket	1 EA				

Assembly Diagram

READ THROUGH INSTRUCTIONS FROM BEGINNING TO END BEFORE STARTING TO ASSEMBLE UNIT.

1.) Identify and Separate all the Parts and Hardware.

2.) Place the Wood Platform (P-1) with the insert nuts facing up.

3.) Attach Right Shelf Bracket (P-2) and Left Shelf Bracket (P-3) to Wood Platform (P-1) using 4 Flat Head screws (A) as shown in illustration # 1.

(Finger tighten only)

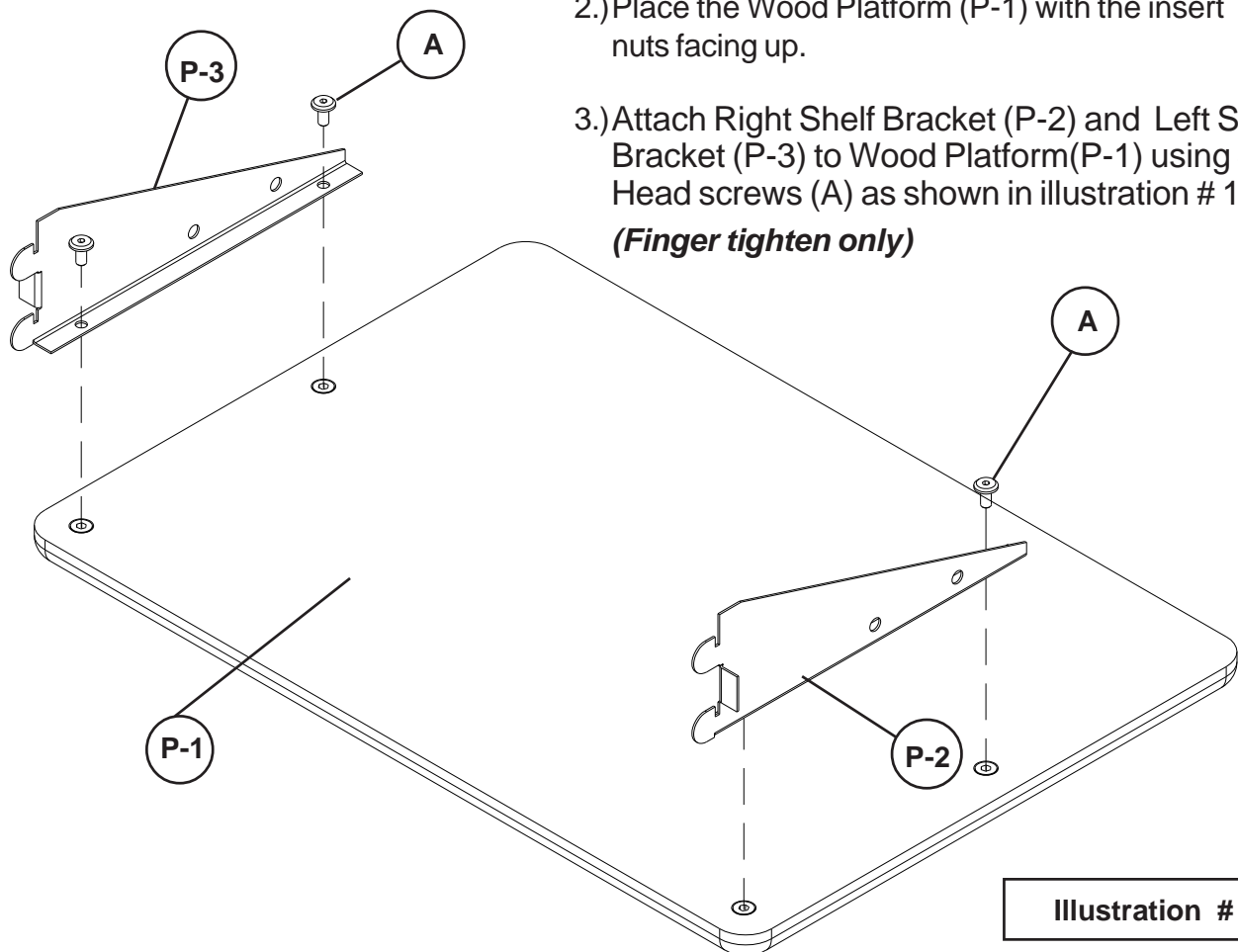


Illustration # 1

- 4.) Attach Right Shelf Bracket (P-2) and Left Shelf Bracket (P-3) to the Right & Left Leg Assemblies at the desired height as shown in illustration # 2.
(Tighten 4 screws under Laptop Shelf (P-1) using Allen Wrench (B)).

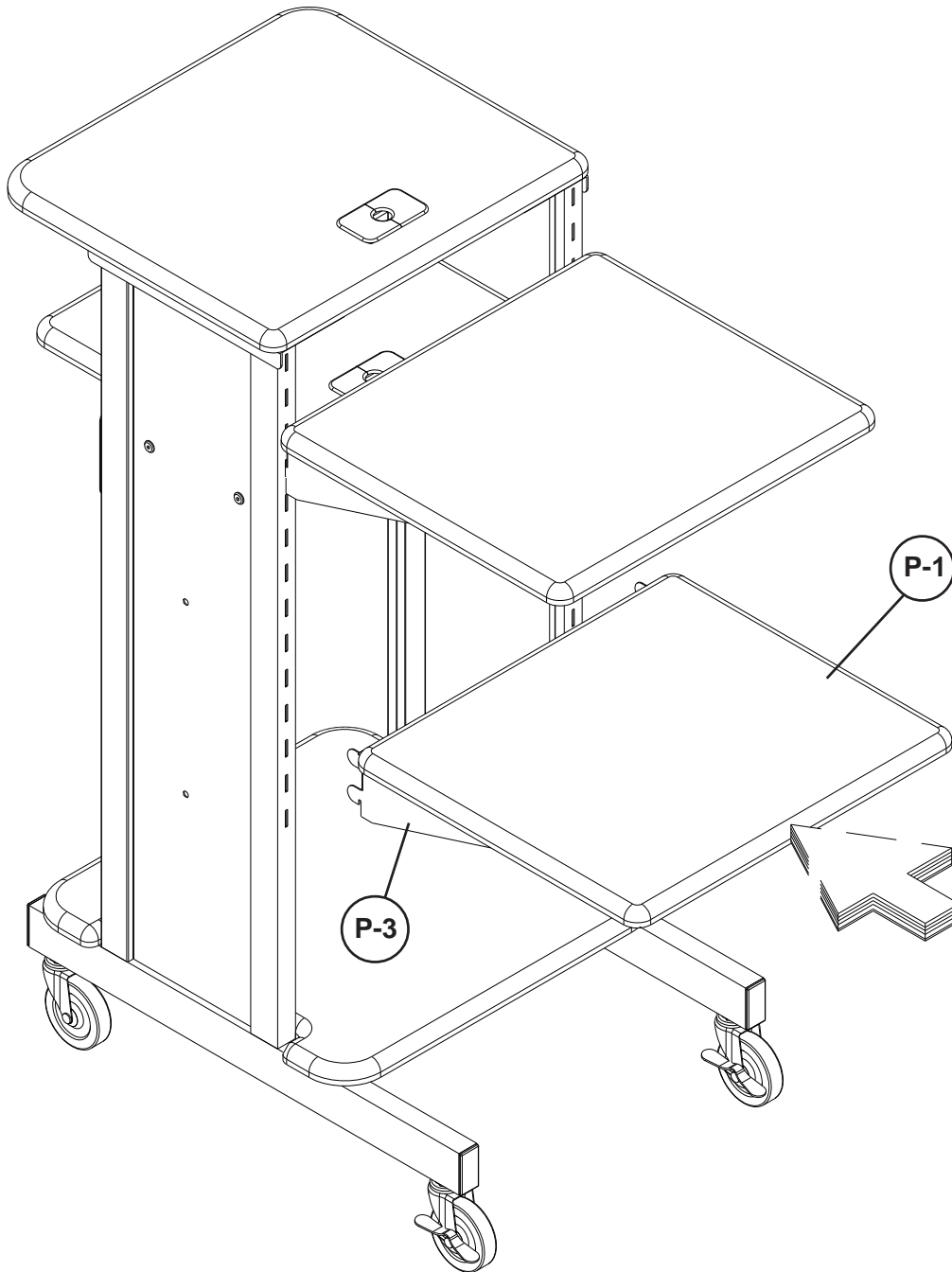


Illustration # 2