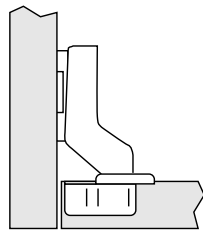
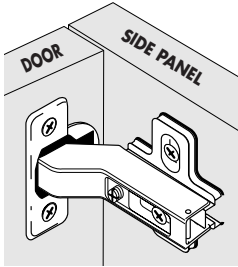


Part Number	Crank	Opening	Seq. #
HC11SJ	15mm	110°	1150



### Before You Begin

- Read the Do-It-Yourself Installation Instructions completely before starting.
- Make sure all parts are included.

### Parts List

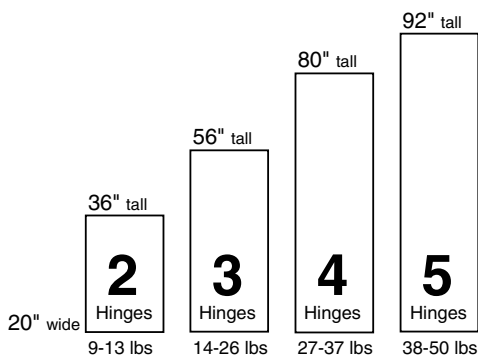
- Two Euro Concealo® Hinges HC11SJC
- Two Mounting Plates
- Eight #8x5/8" Screws

### Recommended Tools

- #2 Phillips Screwdriver
- Pencil or Scribe
- Metric Ruler (millimeters) and Inches Ruler
- Drill and 1/16" Drill bit for pilot holes
- Boring Bit 35mm (Forstner Bit) for hinge cup

### Data

- See chart below for recommended number of hinges per door size.
- If hanging a door with a mirror or very wide door you will need additional hinges.



Verify product measurements prior to drilling. Printer configurations may not be set to print Mounting Template to actual size.

Vérifiez les mesures du produit avant de percer. Il se peut que les configurations de l'imprimante fassent que le gabarit de montage ne soit pas imprimé à la taille réelle.

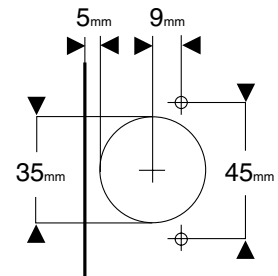
Antes de perforar verifique las medidas del producto. Las configuraciones de la impresora pueda que no estén ajustadas para imprimir la Plantilla de Montaje al tamaño real.

### Specifications

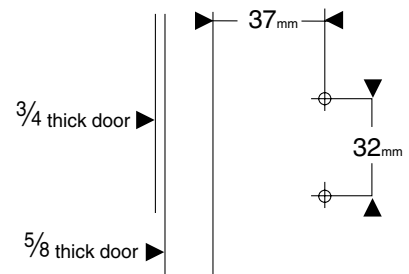
- Door thickness should be 5/8" (16mm) or 3/4" (19mm).
- 5/8" (16mm) thick door clearance should be a minimum of 1/32" (1mm) on all sides.
- 3/4" (19mm) thick door clearance should be a minimum of 1/16" (2mm) on all sides.

### 1. Marking Drill Holes

- Cut out hinge cup template for drilling hinge cup and screw pilot holes.
- Align hinge cup template to door and mark locations of holes.

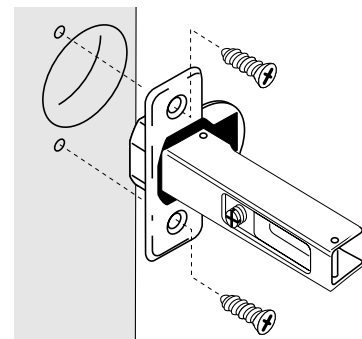


- Cut out mounting plate template for drilling screw pilot holes.
- Align mounting plate template, either the 16mm (5/8") or 19mm (3/4") line, to the edge of the cabinet and mark location of holes.



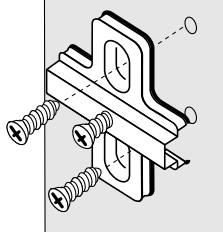
### 2. Installing Hinge to Door

- Drill hole 12mm (15/32)" deep for hinge cup per template using 35mm boring bit. Do not drill through door face.
- Drill pilot holes for screws per template. Do not drill through door face.
- Insert hinge into door and fasten with supplied screws.



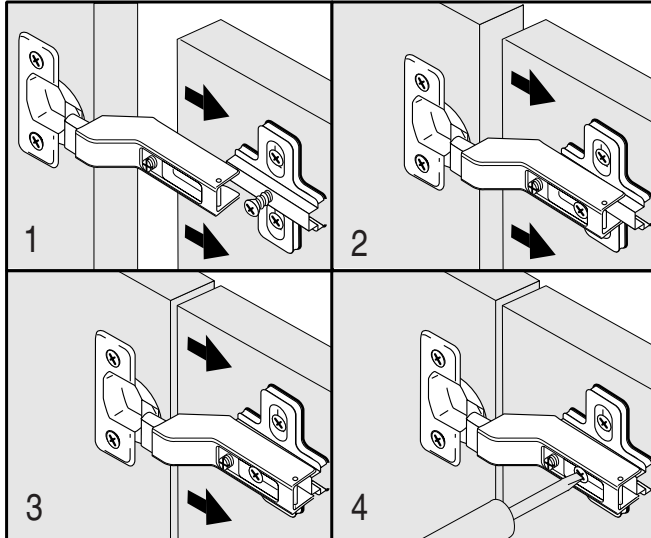
**3. Installing Mounting Plate to Cabinet**

- a. Drill pilot holes for screws per template.  
Do not drill through cabinet.
- b. Align mounting plate to holes and fasten with supplied screws.  
Do not overtighten.



**4. Installing Door to Cabinet**

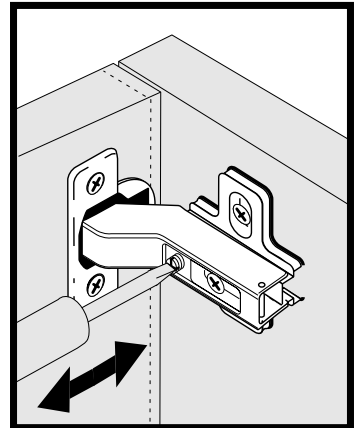
- a. Open hinge to full extension.
- b. Connect door to cabinet as shown below.



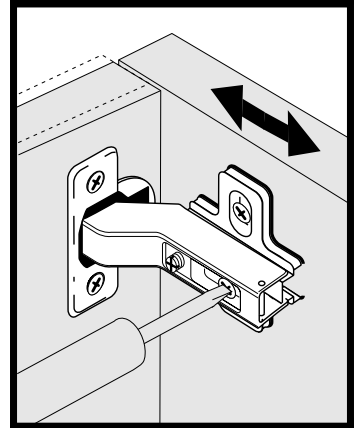
**5. Door Adjustment**

Align door using following adjustment feature.

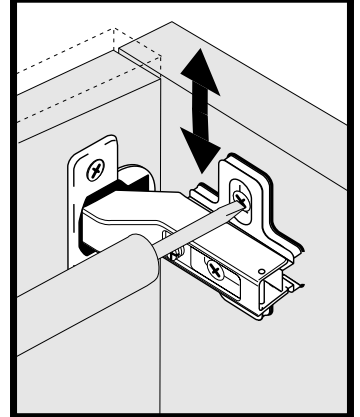
- a. Lateral Adjustment allows for adjusting the door plus or minus 2.5mm side to side.



- b. Horizontal Adjustment allows for adjusting the door in and out.

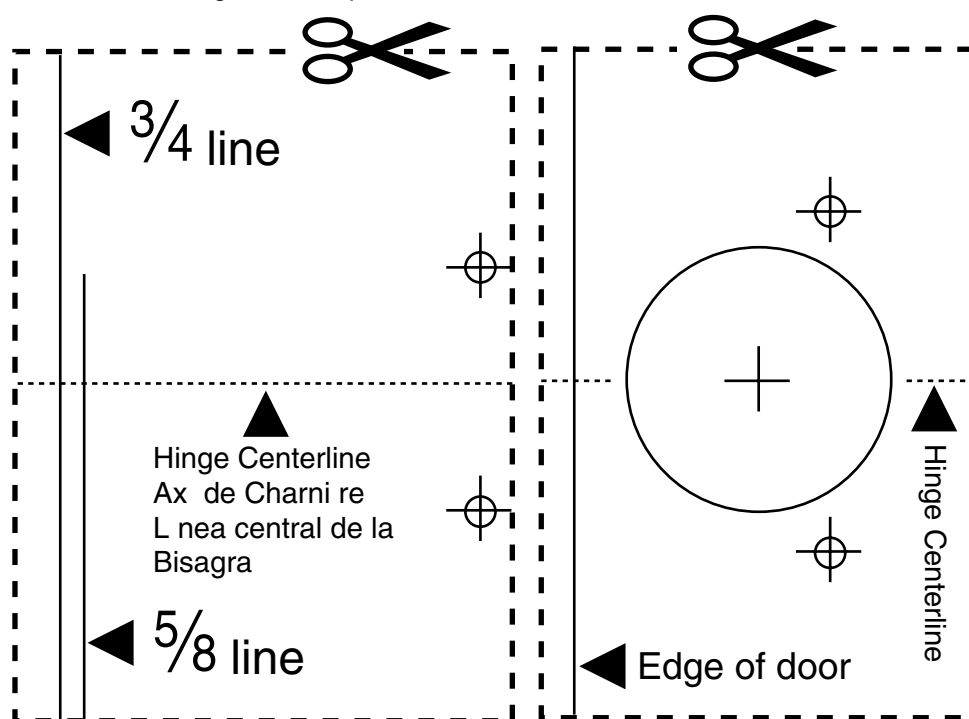


- c. Vertical Adjustment allows for adjusting the door up and down.



Mounting Plate Template

Hinge Cup Template



Verify product measurements prior to drilling. Printer configurations may not be set to print Mounting Template to actual size.

Vérifiez les mesures du produit avant de percer. Il se peut que les configurations de l'imprimante fassent que le gabarit de montage ne soit pas imprimé à la taille réelle.

Antes de perforar verifique las medidas del producto. Las configuraciones de la impresora pueda que no estén ajustadas para imprimir la Plantilla de Montaje al tamaño real.