

Application Note

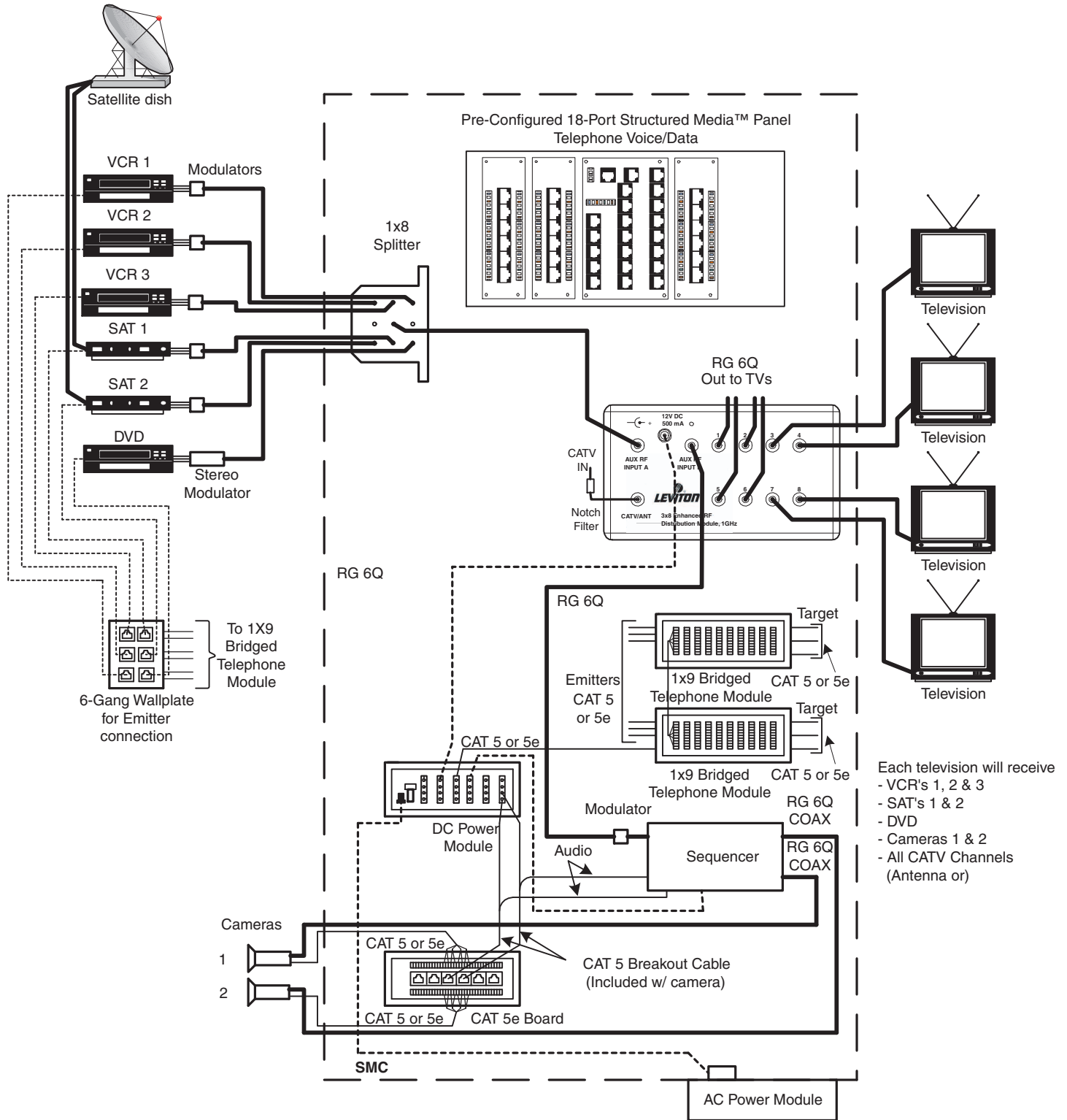
Application Note Title:	Infrared Over CAT 5 or 5e with Video Distribution
Drawing/Revision Number:	AE00020A1DW
Number of Pages:	3
Date:	8-1-2002

Part Number(s)
47605-28W
47603-18P
47690-3BY
47689-B
47605-C5B
48213-CVS
48212-DCS
47605-DP
48213-ECC
47621-MIE
47621-CMS
48213-VMA
48210-DSM
40806-B*
41108-RR5
47690-8C
47690-NFA

Keywords:
Infrared, target, emitter, video, camera, IR

Description:
Application drawing illustrating remote control of satellite, modulated sources, and cameras with an infrared repeater system.

Infrared Over CAT 5 or 5e with Video Distribution



Each television will receive
 - VCR's 1, 2 & 3
 - SAT's 1 & 2
 - DVD
 - Cameras 1 & 2
 - All CATV Channels (Antenna or)

LEGEND:	Power Cable	-----
CAT5/5e	Composite Cable	=====
RG6	Speaker Wire	- . - . - .
Emitter wire		-----

Drawing & Revision Number AE00020A1DW	
Page 2 of 3	Date 8/1/2002

LEVITON VOICE & DATA
 A Division of Leviton Manufacturing Co., Inc.
 Little Neck, NY 11362-2591
 © Copyright 2001

Infrared Over CAT 5 or 5e with Video Distribution

Part List		
Part Number	Descriptions	QTY
47605-28W	Series 280 Enclosure & Cover	1
47603-18P	18-Port Structured Media Panel	1
47690-3BY	3x8 Enhanced RF Distribution Module	1
47689-B	1x9 Bridged Telephone Modules	2
47605-C5B	Category 5e Voice and Data Module	1
48213-CVS	Video Sequencer	1
48212-DCS	DC Power Distribution Module	1
47605-DP	AC Power Module	1
48213-ECC	Outdoor Cameras	2
47621-MIE	Emitters	6
47621-CMS	Targets	6
48213-VMA	SMC Modulators	6
48210-DSM	Stereo Modulator	1
40806-B*	6-Port Flush Mount Wallplate	1
41108-RR5	Category 5 Quickport Snap-in Connector	6
47690-8C	1x8 Passive Video Splitter	1
47690-NFA	RF Notch Filter	1