

IMPORTANT INSTRUCTIONS

1. Read and understand all instructions. Follow all warnings and instructions marked on the product.
2. Do not use this product near water—e.g., near a tub, wash basin, kitchen sink or laundry tub, in a wet basement, or near a swimming pool.
3. Never push objects of any kind into this product through openings, as they may touch dangerous voltages.
4. SAVE THESE INSTRUCTIONS.

SAFETY INFORMATION

1. Never install communications wiring or components during a lightning storm.
2. Never install communications components in wet locations unless the components are designed specifically for use in wet locations.
3. Never touch uninsulated wires or terminals unless the wiring has been disconnected at the network interface.
4. Use caution when installing or modifying communications wiring or components.



47611-GB4

Quick-Start Guide

10/100/1000 Mbps 4-Port Gigabit Router

The 10/100/1000 Mbps 4-Port Gigabit Router is an easy-to-use router that offers small office and home office (SOHO) an economical way to connect an entire local area network (LAN) to the Internet using an external DSL/Cable Modem.

Follow this Quick-Start Guide to mount the Router into your Structured Media™ Center (SMC), and configure it for normal network operation.

PRE-INSTALLATION CHECKLIST

To install the Router, you must have the following:

- A network interface card (NIC) installed in your computer. (Gigabit network card required for gigabit speeds to be attained.)
- An external Cable or DSL modem with an RJ-45 port.
- (4) patch cords with RJ-45 connectors. Leviton Category 5e Performance Patch Cords are recommended.
- A Leviton Category 5e or Category 6 Voice and Data Module located in an SMC.
- At least 2 Category 5e or Category 6 data connectors (in addition to any desired telephone jacks), wired back to the Category 5e Voice and Data Module with Category 5e cable. Mark these two connectors and corresponding ports "A" and "B". (**Figure 2, page 5**)
- An operational Internet connection/ISP.
- A Web browser installed on your computer.
- Specific ISP information for your broadband connection service; including: type of protocol (PPPoE, Dynamic IP, or Fixed IP) and pertinent login information.

NOTE: Category 5e or Category 6 products are required for gigabit operation.



59-25 Little Neck Parkway.
Little Neck, N.Y. 11362-2591, USA
Tech Support: 800-824-3005
www.leviton.com

For Technical Assistance Call:
1-800-824-3005 (U.S.A. Only)
or Fax:
1-800-824-9538 (U.S.A. Only)
www.leviton.com

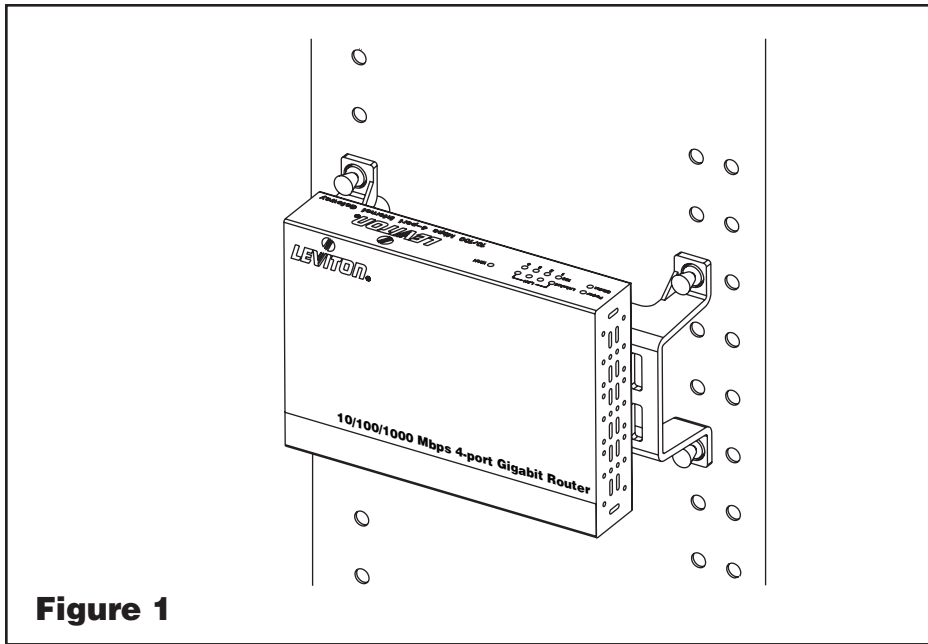


Figure 1

Installation:

Align the mounting pins with the grid holes on the back of the enclosure. With the mounting pin plungers in the “out” position, press the unit into the grid in the desired location, secure by pushing the plungers in. (**Figure 1**)

NOTE: To remove the bracket from the Router, loosen the nuts underneath the Router and bracket combination, then slide the units apart.

NOTE: For information on installing the SMC or the Leviton Category 5e Voice and Data Module, please see the instructions for those devices.

Cabling the Gigabit Router:

The Router has four network ports. The ports numbered 1-4 can be used to connect a variety of equipment including: computers, printers, scanners or other network peripherals. Additionally, the Router features a WAN port. The Router can replace an existing hub or switch that has no more than four devices connected, or that hub/switch can be cascaded with the Router (see the instruction sheet for your hub or switch). Any of the ports numbered 1-4 can be used as an Uplink port.

1. Complete the Pre-Installation Checklist on page 1. Ensure you have wired at least two connectors back to the Category 5e Voice and Data Module in the SMC with Category 5e cable, and you have marked these two connectors and their corresponding Voice & Data Module ports “A” and “B”. (**Figure 2, page 5**)
2. Shutdown and power off your computer and modem.
3. Unplug the Cable/DSL modem’s patch cord from the Ethernet port in your computer. Use it to connect the modem to the data connector marked “A”.

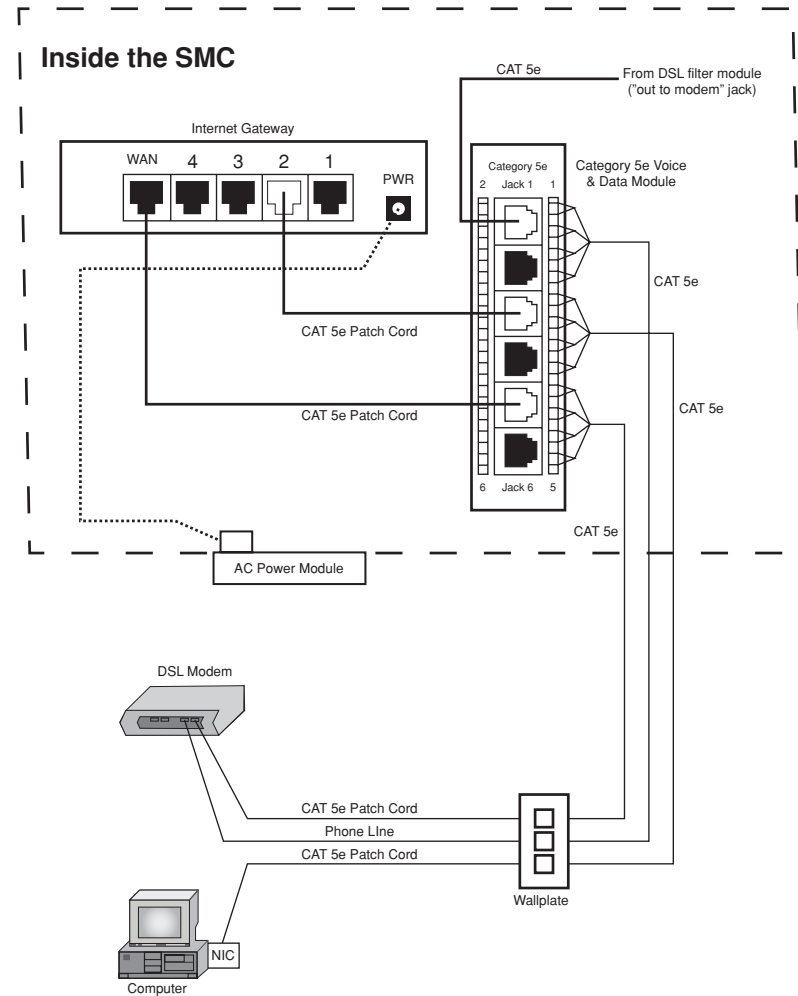
Client Notes

FCC STATEMENT:

This equipment has been tested and found to comply with the limits for a Class B digital device, pursuant to part 15 of the FCC Rules. These limits are designed to provide reasonable protection against harmful interference in a residential installation. This equipment generates, uses and can radiate radio frequency energy and, if not installed and used in accordance with the instructions, may cause harmful interference to radio communications. However, there is no guarantee that interference will not occur in a particular installation. If this equipment does cause harmful interference to radio or television reception, which can be determined by turning the equipment off and on, the user is encouraged to try to correct the interference by one or more of the following measures:

- Reorient or relocate the receiving antenna.
- Increase the separation between the equipment and receiver.
- Connect the equipment into an outlet on a circuit different from that to which the receiver is connected.
- Consult the dealer or an experienced radio/TV technician for help.

Figure 2



This page is **NOT** to be printed in the booklet

LEVITON INSTRUCTION SHEET/MANUAL SPECIFICATIONS

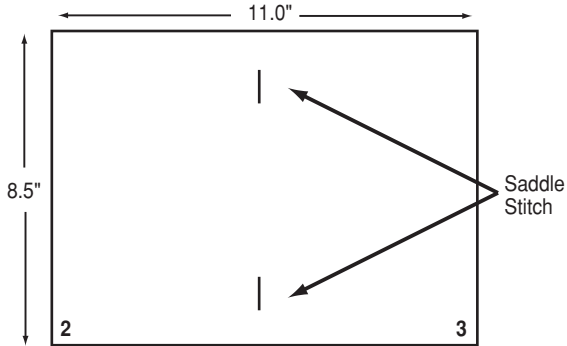
- Artwork No/Rev Level: DI-045-47611-05A
- Color(s): 1 over 1
 1. Black
 2. _____
 3. _____
 4. _____
- Font Families: Helvetica
- Material
Type: 50 lb. offset
- Coating: _____
- Paper size:
Overall size: 11" x 8.5" (Printer Spread)
Final fold size: 5.5" x 8.5" (booklet - saddle stitch)

DOCUMENTATION

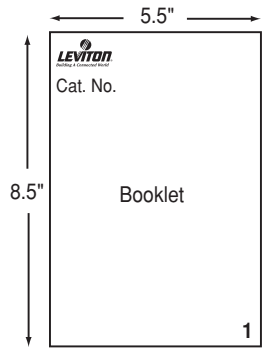
- ECO No.: N/A
- Artist: HSZ Date: 03/08/07

The information in this document is the exclusive PROPRIETARY property of LEVITON MANUFACTURING COMPANY, INC. It is disclosed with the understanding that acceptance or review by the recipient constitutes an undertaking by the recipient, (1) to hold this information in strict confidence, and (2) not to disclose, duplicate, copy, modify, or use the information for any purpose other than that for which disclosed.

Copyright © 1997 Leviton Mfg. Co, Inc.
Unpublished, All Rights Reserved



OVERALL SIZE



FINAL SIZE