

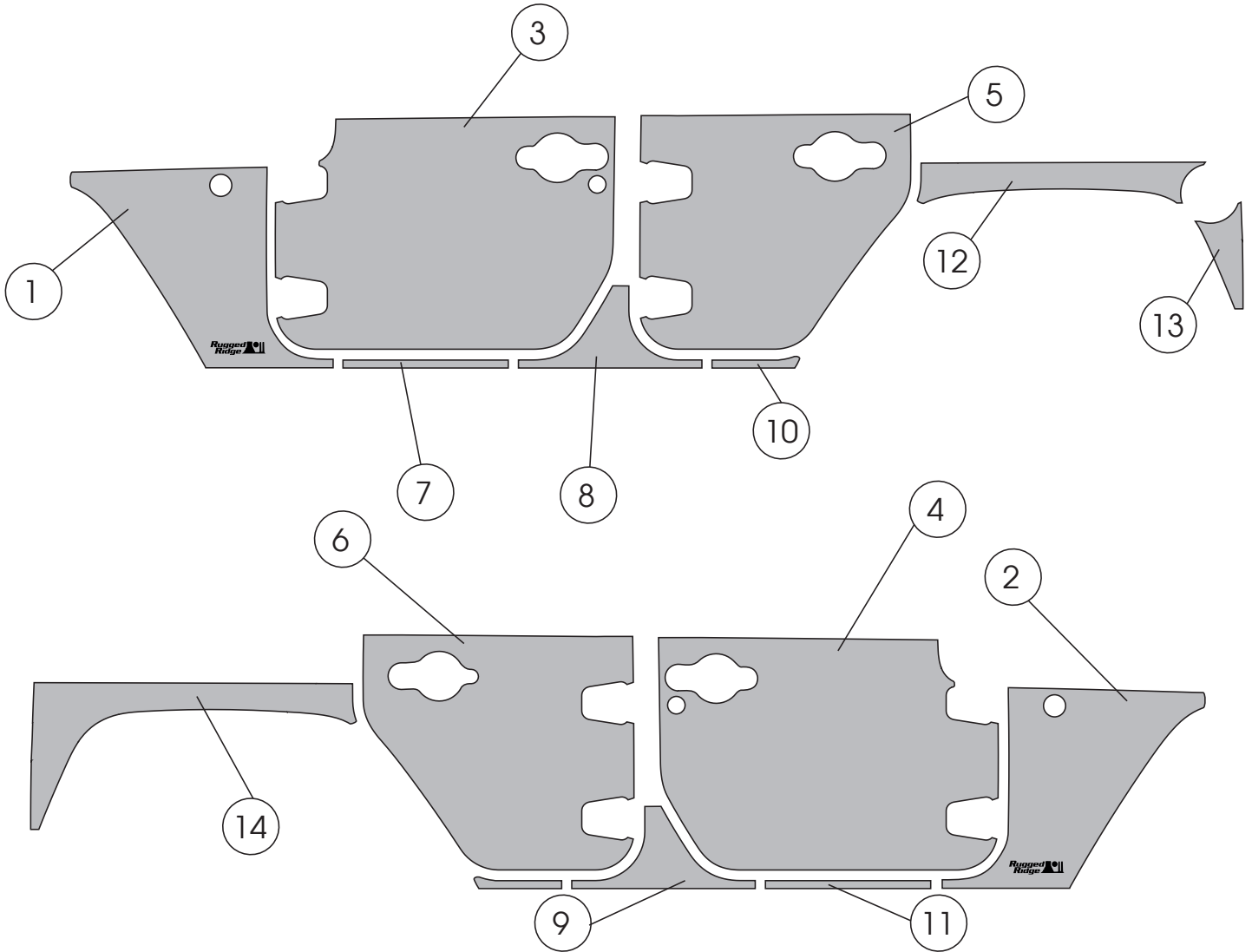


OMIX-ADA, Inc.

460 HORIZON DR. SUITE 400 | SUWANEE, GA 30024 | PHONE: 770-614-6101 | FAX: 770-614-6069 | info@omix-ada.com

Part #12300.53

# 4-Door JK Magnetic Body Panels



## 4-Door Components

- |                     |     |                      |     |
|---------------------|-----|----------------------|-----|
| 1. Front Fender, LH | (1) | 8. Door Seam #2, LH  | (1) |
| 2. Front Fender, RH | (1) | 9. Door Seam #2, RH  | (1) |
| 3. Front Door, LH   | (1) | 10. Door Seam #3, LH | (1) |
| 4. Front Door, RH   | (1) | 11. Door Seam #3, RH | (1) |
| 5. Rear Door, LH    | (1) | 12. Rear Fender #1   | (1) |
| 6. Rear Door, RH    | (1) | 13. Rear Fender #2   | (1) |
| 7. Door Seam #1     | (2) | 14. Rear Fender #3   | (1) |

### OMIX-ADA® TECHNICAL SUPPORT

PHONE: M-F 8am - 5pm EST 1-800-449-6649 | EMAIL: techsupport@omix-ada.com

FOR WARRANTY INFORMATION VISIT: [www.Omix-Ada.com](http://www.Omix-Ada.com)



OMIX-ADA, Inc.

460 HORIZON DR. SUITE 400 | SUWANEE, GA 30024 | PHONE: 770-614-6101 | FAX: 770-614-6069 | info@omix-ada.com

## 4-Door JK Magnetic Body Panels

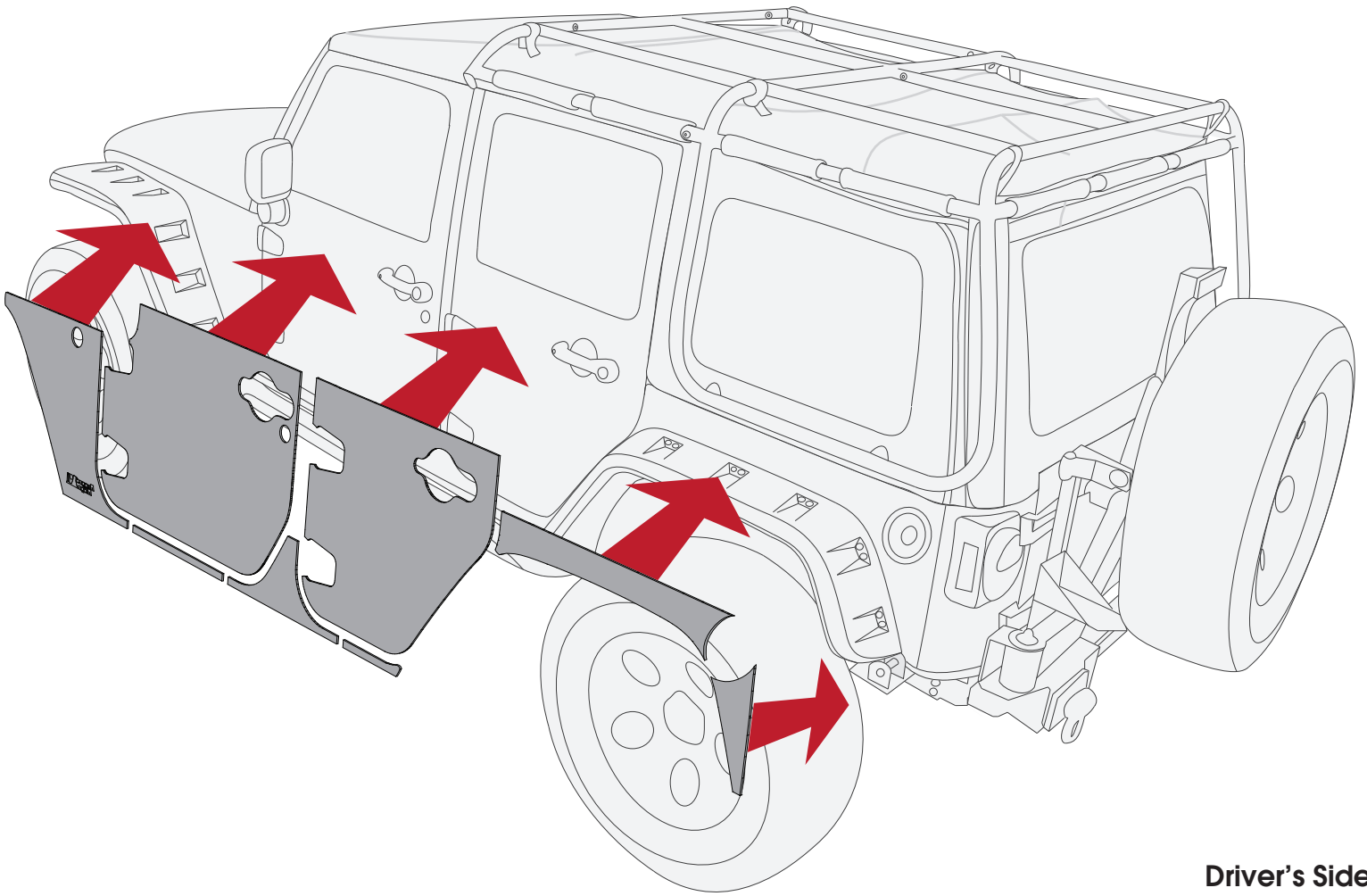
### To Install Magnetic Body Panels

1. Ensure area of vehicle and panels are clean by washing with a mild cleaning agent and air drying or drying with a soft cloth.

**NOTICE** Sub-zero temperatures may affect the strength of the Magnetic Body Panels. Installing Magnetic Body Panels in sub-zero temperatures is not recommended

2. Affix panels to vehicle as shown below. If panels need to be adjusted, remove entire panel and reapply.

**NOTICE** Sliding Magnetic Body Panels on vehicle surface could cause scratching on vehicle surface or deformation of Magnetic Body Panels. To reposition, remove entire panels



**Driver's Side**

### OMIX-ADA® TECHNICAL SUPPORT

PHONE: M-F 8am - 5pm EST 1-800-449-6649 | EMAIL: techsupport@omix-ada.com

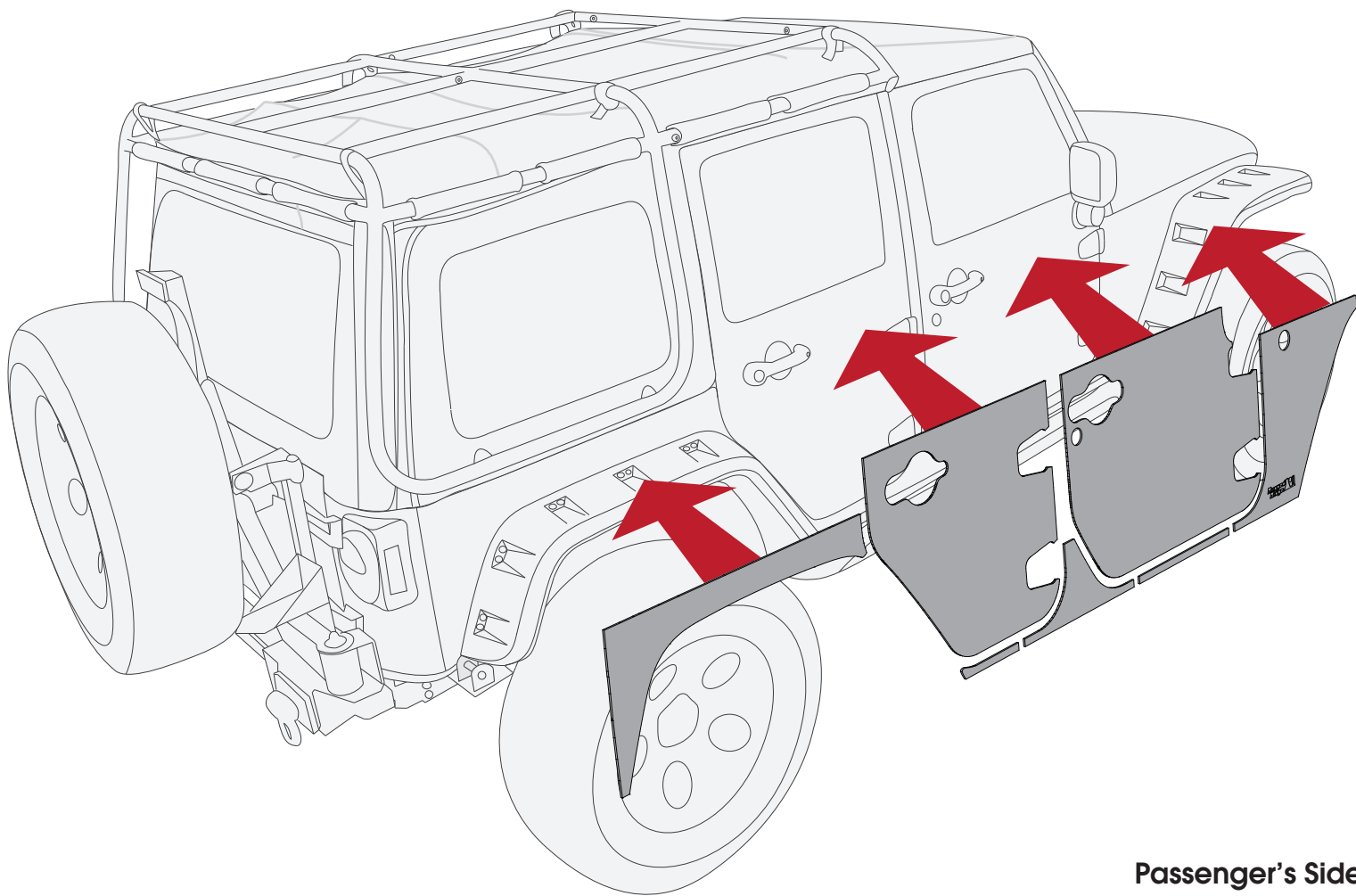
FOR WARRANTY INFORMATION VISIT: [www.Omix-Ada.com](http://www.Omix-Ada.com)



OMIX-ADA, Inc.

460 HORIZON DR. SUITE 400 | SUWANEE, GA 30024 | PHONE: 770-614-6101 | FAX: 770-614-6069 | info@omix-ada.com

## 4-Door JK Magnetic Body Panels



Passenger's Side

### Care and Maintenance

- Remove Magnetic Body Panels daily or after each use, especially if exposed to rain, mud, or other harsh conditions. Clean panels and vehicle and allow both to dry before reapplying.
- When not using Magnetic Body Panels, store in a clean, dry place, avoiding extreme temperatures. Storing in direct sunlight could cause damage or fading to the material.
- Store Magnetic Body Panels flat on a level surface to prevent warping or damage to the material. Do not allow magnetic surfaces to face one another.