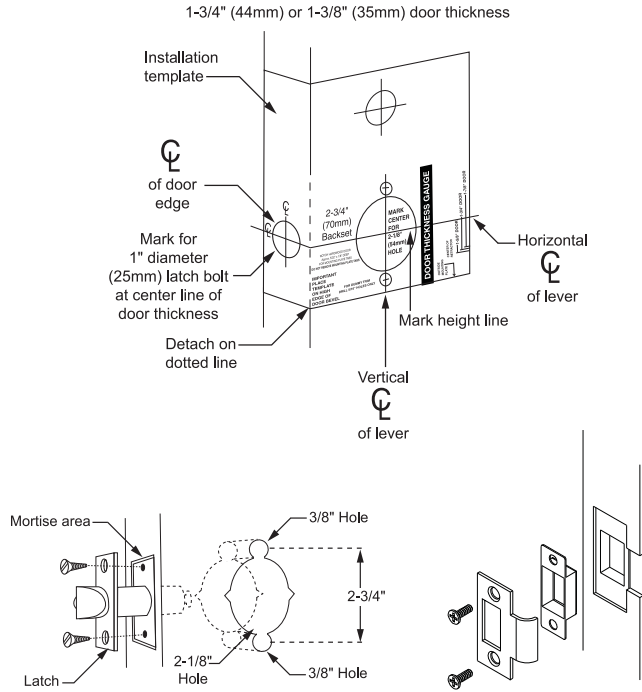


## IQ1 - Cylindrical Lockset Installation Instructions®

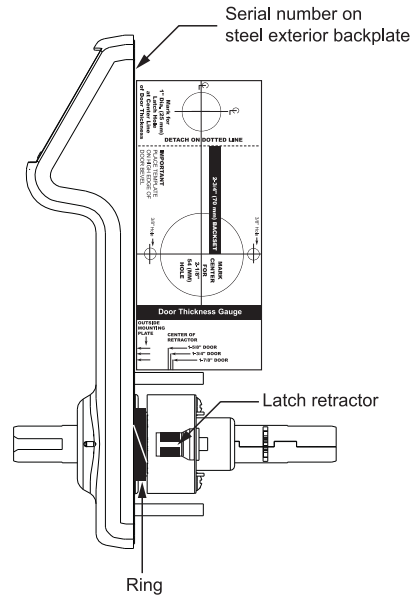


### 1

For measurements use template on page 4. Affix paper template to door and follow template instructions in preparing door. Install latch.



### 2



- Locks are factory assembled with a ring for 1-3/4" door thickness, when lock chassis is firmly against ring. (For 1-3/8" doors, use the EK1038 spacers, one on each side.) When installing thinner than 1-3/4" door thickness, plastic ring must be removed.
- Before installation, use **door thickness gauge on template** as shown to check lock chassis position. Center of latch retractor should align with mark on gauge for appropriate door thickness.
- Make sure to adjust for correct door handing.** To align retractor for desired handing, make sure the outside lever is not attached, and turn the chassis clockwise or counterclockwise until the retractor is in the desired position. Then attach outside lever.
- Assemble outside lever on tube and **check that lever engages lever catch before installation.**

### 3

Figure A

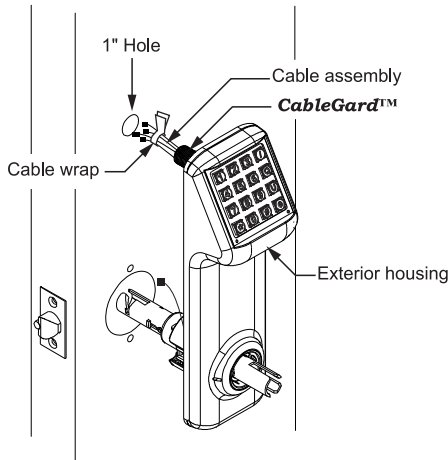
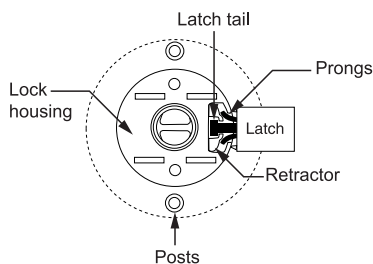
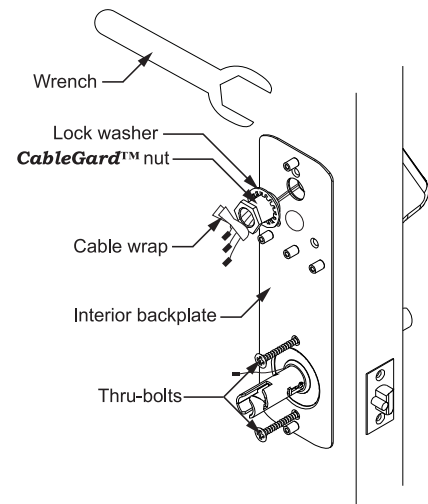


Figure B



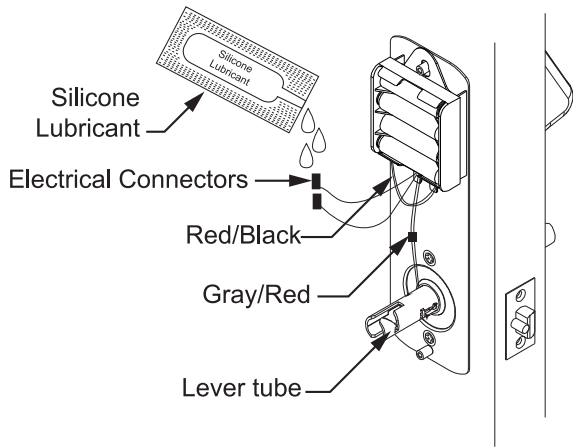
- Pass the cable assembly with connectors through the 1" hole, then mount the exterior housing through door preparation. Make sure that the lock chassis and latch are properly engaged as shown in Figure B.

### 4



- Remove screw from Battery Cover to access backplate.**
- Feed the cable assembly with connectors through the backplate, lock washer and **CableGard™** nut.
- While holding the interior backplate in position, loosely install the two thru-bolts.
- Tighten the **CableGard™** nut on the **CableGard™** that passes through the door using supplied wrench. When this connection is tight secure the thru-bolts.
- Tear cable wrap to separate wires.

5

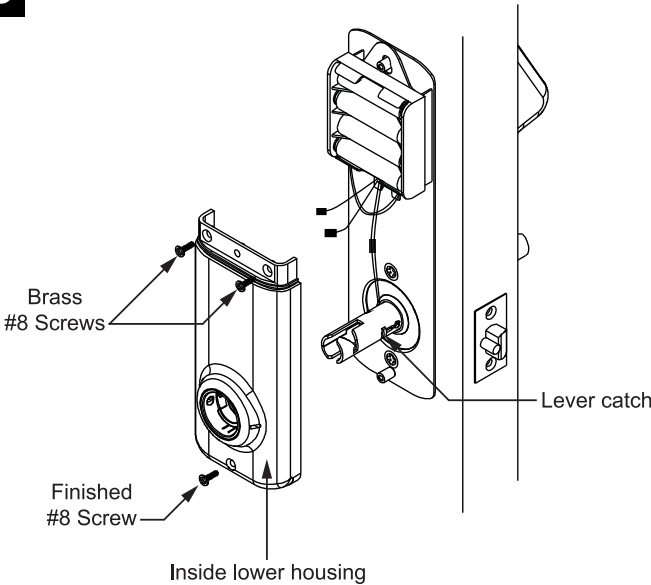


**NOTE: USE ONLY ALKALINE BATTERIES, DUE TO PREDETERMINED POWER SETTINGS IN THE LOCK.**

**NOTE:**

- Dielectric Grease/Silicone lubricant is provided with each lockset by manufacturer. It is recommended to use during installation for all electrical connectors.
  - All wire pairs are color coded to connect with like pair.
1. Connect the grey/red wires from the **CableGard™** to the grey/red wires from the lever tube. The two remaining pairs are only for the **optional** sensor-array package, as well as the “reset lock” function. (See programming manual.)
  2. Connect the red/black wires from the **CableGard™** to the red/black wires from the battery pack.
  3. Place the battery holder over the center grooved stud.
  4. When properly aligned, push down on the battery holder assembly, engaging the upper part of the hole into the groove of the center stud. This will connect the lower fork with the center post, giving a very secure fit.

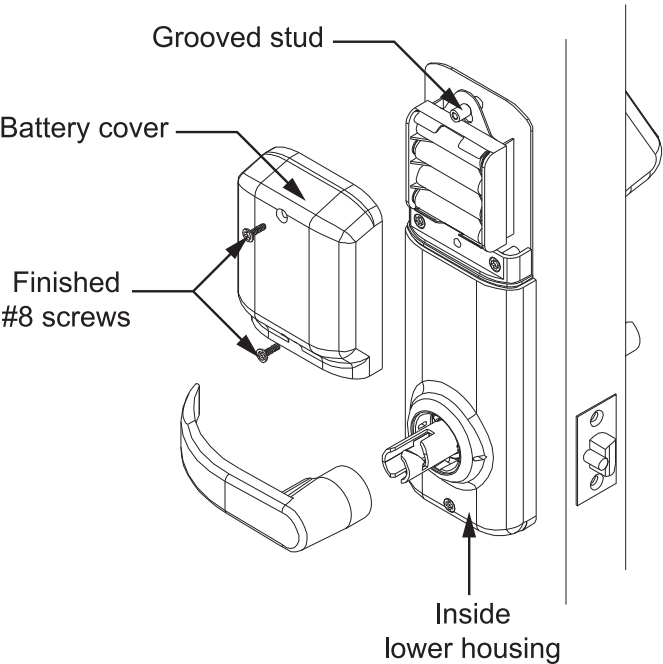
6



1. Slide the inside lower housing over the lever tube until it has passed over the lever catch. (Be sure wires are not pinched.)
2. Fasten with two brass #8 screws. Once secure, fasten the finished #8 screw at the bottom.
3. **PUSH ALL EXCESS WIRE LENGTHS DOWN THROUGH THE OPENING AT THE TOP OF THE INSIDE LOWER HOUSING.**

7

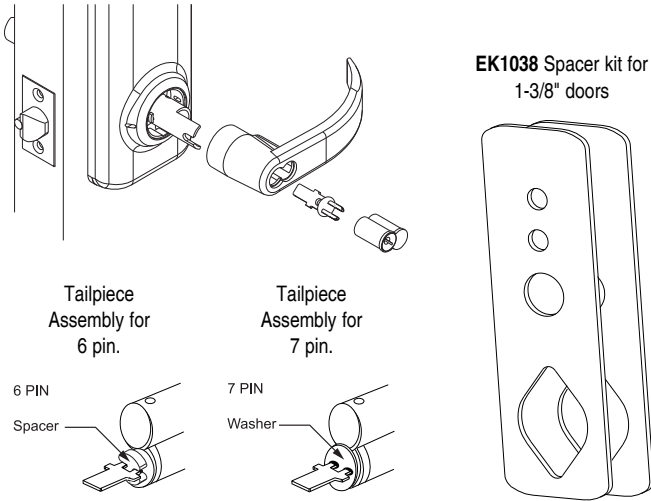
1. Attach the battery cover with two finished #8 screws. Battery cover has a lip which engages the lower inside housing, it is important that this lip be seated properly to insure correct alignment.



# 8

## Inside Lever

1. Push lever on door in horizontal position until secure.

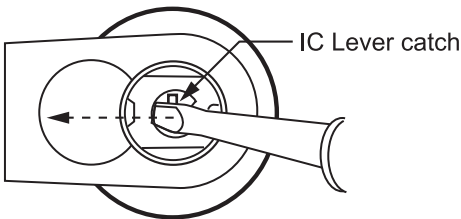


## IC CORE CYLINDER

### Installing IC Core:

1. Press **lever** on **lock tube**, slightly wiggle and push until lever engages **lever catch** and **connector**.
2. Test **lever** to be sure it is on securely.
3. Insert **control key** (marked with a "C") into IC core and turn clockwise.
4. Insert **tailpiece with washer** into **core**.
5. With control key in core, insert **core** fully into lever.
6. Turn **control key** **approximately 15° counter-clockwise** to lock cylinder in place. Remove **control key**.
7. Check cylinder and lock for proper operation before closing door.

To Remove IC Core Lever Handle



CYLINDRICAL IC CORES				
	Kit for 6 & 7 pin Marks, KSP, Best®, Falcon, Medeco® Keymark, Schlage® Small Format, 6 pin Sargent	KR	HER1984	ER
	Kit for 6 & 7 pin Corbin	KRG	HER1984-G	ERG
	Kit for 6 & 7 pin Yale™ American Lever <b>ONLY</b>	—	EAR1989-Y	EMY
	6 pin Schlage® Large Format American Lever <b>ONLY</b>	—	EF1903-F19	CM

# 9

FIGURE A

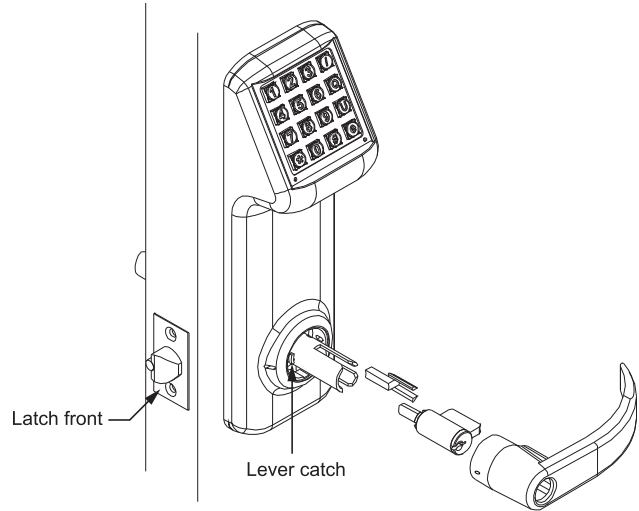
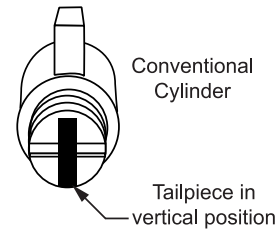


FIGURE B



## INSTALLING THE LEVERS

### Outside Lever

#### Installing Conventional Cylinder:

1. Align **lever catch** of **outside tube** to face **latch front**. (Figure A)
2. **Tailpiece** must be in a vertical position in **cylinder**. (Figure B)
3. Insert **cylinder** in lever.
4. Press **cylinder retainer** into **lever** until flush with base of **lever**.
5. Turn **key** in cylinder **45°** in either direction.
6. Slide **lever** on tube until it stops at the **lever catch**.
7. Slightly wiggle and push until **lever** engages **lever catch** and **connector**.

CYLINDRICAL TAILPIECES Cylindrical Conventional				
	FOR USE WITH	CODE	LEVER	CODE
	Marks 1982	K1	E1903	E1
	Arrow PK 100C, ILCO 705, Sargent 13-3266, Lori 1539, ASSA 65673, 65691, Abloy	K2	E1903-L	E2
	Schlage® 23-001, Primus Corbin-Russwin 2000-034	K3	EF1903-C	E2

Lifetime Mechanical/2 Year Electronic Limited Warranty: MARKS USA warrants to the original purchaser that its products are free from defects in materials and workmanship so long as they occupy the premises. In the event our product does not conform to this warranty, MARKS USA will repair or replace the product free of charge at its sole discretion. This warranty does not cover defects or damage arising from improper installation, lack of or improper maintenance, improper storage, shipping and handling, improper application or specification, ordinary wear and tear, misuse, abuse, accident, improper voltage, unauthorized service, or use with unauthorized non-MARKS products or parts. We reserve the right to make changes in materials, components or manufacturing methods. Liability under all warranties expressed or implied is limited to replacement of the defective goods. This warranty does not cover nor provide for the reimbursement or payment of incidental or consequential damages or any shipping charges related to exercising of this warranty.

