



**Installation, Operating
&
Programming Instructions**

**T-30
T-52
T-70**

**PLEASE PROVIDE THIS BOOKLET TO THE CUSTOMER AFTER COMPLETING
INSTALLATION.**

Installation Instructions

(See Figure 1)

- Locate the three **lock mounting holes** on the locker door. Remove the hole blocking plate (if any) to expose the holes.

(See Figure 2)

- Place the **mounting screw posts** of the Digilock **front unit** through the **lock mounting holes** on the front face of the door.
- While holding the front unit against the front of the door, place the **rear unit** against the rear face of the door, aligning its **mounting holes** with the **mounting screw posts** from the front unit.

NOTE: Do not touch the rear unit connector pins (male connector) against any metal or other conductive surfaces. This may short the pins and cause damage to the lock.

- Slide the front and rear unit together making sure that the pins of the rear unit connector align with the pins of the front unit connector.

NOTE: An audible triple beep indicates that the lock was connected properly. If you do not hear this beep, reconnect the front and rear units.

- Place the locking nuts over the mounting screws and tighten. (Do not overtighten)
- Program the lock. (See Programming Instructions)
- Test the operation of the lock several times while the door is open.
- Close the door and test the unit again. Make sure that no binding occurs between the bolt/latch and the strike plate, or the vertical locking rod or frame of the locker door.

Lock Handing

Digilock T-Series locks are not handed until they are installed and operated once. After their initial use, Digilock registers the handing of its installation. If a lock was installed for a right hand operation, then it would operate as a right hand lock. If a lock was installed for a left hand operation, then it would operate as a left hand lock.

NOTE: If the handing has been previously registered by connecting and operating the lock prior to installation on the door, the lock may not function if its initial handing is different than the installation on the door.

To change handing:

- Disconnect the front unit from the rear unit.
- Touch a User Button Key to the front unit several times while separated from the rear unit
- Reconnect the units with the desired handing or connect them as part of the installation. (See installation instructions above)

Figure 1

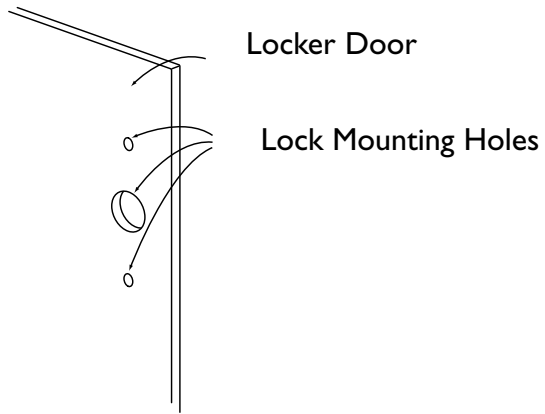
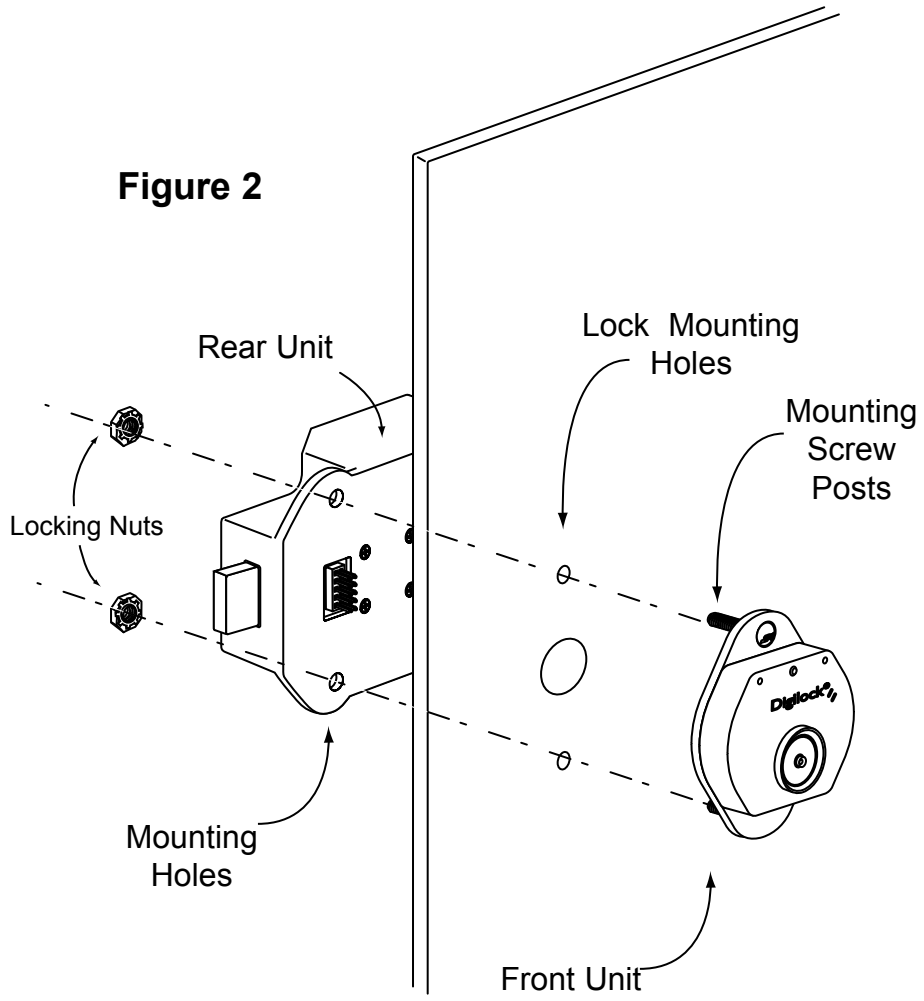


Figure 2



Programming Instructions

INITIAL SETUP: You must have a Programming Button Key for registering the operating Button Keys to the locks. The Programming Button Key is unique. Each Programming Button Key carries an embedded serial number that is read and recognized by the lock. Once a Programming Button Key has been used to register the operating Button Keys to a lock, that lock will not accept any other Programming Button Key for registering operating Button Key(s). If the lock you are attempting to program already has existing registered operating Button Key(s), you must use the same Programming Button Key previously used.



Button Keys™

There are four different Button Keys (User, Management, Programming and Time-Set). For identification, the User Button Key is blue, the Management Button Key(s) is black, the Programming Button Key is red and the Time-Set Button Key is yellow. The User and Management Button Keys are operating Button Keys, the Programming Button Key is used to register the operating Button Keys to the locks and the Time-Set Button key allows you to adjust the unlock time for the T-30 and T-52. Each Button Key is unique and carries an embedded serial number.

Each lock can be operated by one User Button Key and up to Twenty-Five Management Button Keys. If you require a lockset that may have more than one User Button Key per lock, contact a Digilock sales representative. A User Button Key may be registered to more than one lock; therefore a single User Button Key may operate more than one lock. In case of a lost or stolen operating Button Key (User or Management), a replacement key(s) can be registered to the lock by using the Programming Button Key by following the programming instructions for lost or stolen keys. If you lose your Programming Button Key, you must contact Digilock customer service for a replacement.

Audio-Visual Indicator

With Digilock T-30 and T-52, flashing of the LED and ten beeps serve as an indicator to open the door. With Digilock T-70, a single flash of the LED and a single beep serve as an indicator that the door is locked while a double flash of the LED and a double beep serve as an indicator that the door is unlocked.

Low Battery Indicator

Digilock T-series locks have an estimated battery life of 3-5 years depending on usage. Digilock T-30 uses four AAA alkaline batteries while Digilock T-52 and T-70 use four AA alkaline batteries. When the batteries become low Digilock emits an indicator sound, a triple beep, each time it is opened by an operating Button Key. Batteries should be replaced when the low battery indicator is heard. In case the batteries no longer operate the Digilock a power jumper is available to supply bypass power to the lock.

To Register a User Button Key

1. Touch the Programming Button Key to the lock for one full second.
**The green LED turns on.*
2. Touch a User Button Key to the lock.
**A single flash of the LED and beep indicates that the User Button Key to be registered has been properly touched to the lock.*
3. Touch the Programming Button Key to the lock for one full second to terminate the programming sequence.
**A double beep indicates the registration of the User Button Key to the lock, and the LED turns off terminating the programming sequence.*

NOTE: If you do not touch a new User Button Key to the lock after touching the Programming Button Key, the programming sequence will expire in fifteen seconds and the existing registered key (if any) will still operate the lock. If you touch the Programming Button Key to the lock twice (for one full second each time) you will erase any registered key(s).

For Lost or Stolen User Button Keys

If a lock's User Button Key is lost or stolen, repeat the procedure above to register a new User Button Key. Once a new User Button Key is registered to the lock, the old one will no longer be valid. You may register the same User Button Key to multiple locks (keyed alike) for providing access to more than one locker for a particular user. You may not register more than one User Button Key to a single lock.

To Register a Management Button Key(s)

1. Touch the Programming Button Key to the lock for one full second.
**The green LED turns on.*
2. Touch the Management Button Key(s) to the lock. You may register up to twenty-five Management Button Keys per lock.
**A single flash of the LED and a single beep indicates that the Management Button Key(s) to be registered has been properly touched to the lock.*
3. Touch the Programming Button Key to the lock for one full second to terminate the programming sequence.
**A double beep indicates the registration of the Management Button Key(s) to the lock.*

Repeat the procedure above using the same Management Button Key(s) to register them to all the locks in the system.

NOTE: If the programming sequence is not terminated properly, the new Management Button Key(s) will not be registered to the lock. If you do not touch a new Management Button Key to the lock after touching the Programming Button Key, the programming sequence will expire in fifteen seconds. The lock will keep (if any) existing registered Management Button Key(s).

During the programming sequence, if you touch the same Management Button Key more than once, it will register that key only once. If you are unsure, start over and repeat the procedure. If you touch the Programming Button Key to the lock twice (for one full second each time) you will erase any registered key(s).

To Add Management Button Key(s)

Management Button Key(s) (up to twenty-five per lock) can be added to a lock at anytime with the Programming Key.

NOTE: This process does not require you to collect the existing registered Management Button Key(s).

1. Touch the Programming Button Key to the lock for one full second.
**The green LED turns on.*
2. Touch the Management Button Key(s) to be added to the key slot one key at a time
**A single flash of the LED and a single beep indicates that the Management Button Key(s) to be registered has been properly touched to the lock.*
3. Touch the Programming Button Key to the lock for one full second to terminate the programming sequence.
**A double beep indicates the registration of additional Management Button Key(s).*

For Lost or Stolen Management Button Keys

If a Management Button Key is lost or stolen, collect all existing Management Button Key(s) and follow the directions below to erase the memory of the lock. Once the memory is erased, you can register your remaining Management Button Key(s).

1. Touch the Programming Button Key to the lock for one full second.
**The green LED turns on.*
2. Touch the Programming Button Key to the lock for one full second.
**The LED turns off.*

The locks memory is now erased. Follow the directions "To Register a Management Button Key(s)" to the lock. You will also need to reregister your User Button Key. Repeat this process to all locks in your system.

NOTE: If you do not erase the memory of the lock prior to registering your existing key(s), your lost or stolen key(s) may still operate the lock.

OPERATING INSTRUCTIONS

Digilock T-30 and T-52

To Unlock using the User Button Key:

Touch a registered User Button Key to the lock. The bolt/latch will be released for ten seconds. Flashing of the LED and ten beeps during this ten-second period indicates that the door may be pulled to open. Closing the door will automatically re-lock the lock.

To Unlock using a Management Button Key:

Touch a registered Management Button Key to the lock. The bolt/latch will be released for two and a half seconds. The LED will be lit during this two and a half second period indicating that the door may be pulled to open. Closing the door will automatically re-lock the lock.

NOTE: *In case of binding of the bolt/latch, Digilock T-30 and T-52 will emit ten beeps and the LED will flash red*

Digilock T-70

To Lock using the User or Management Button Key:

Touch a registered User or Management Button Key to the lock. A single flash of the LED and a single beep indicates that the door is locked.

To Unlock using the User or Management Button Key:

Touch a registered User or Management Button Key to the lock. A double flash of the LED and a double beep indicates unlocking of the Digilock.

NOTE: *In case of binding of the bolt, Digilock T-70 will emit ten beeps and the LED will flash red.*

Digilock[®]
www.digilock.com

1320 industrial ave · suite b · petaluma · ca 94952 ·

Digilock is a registered trademark of Security People, Inc. Button Key is a trademark of Security People, Inc. Digilock is patented and protected under one or more of the follow U.S. Patents: US 5,886,644 US 5,894,277. Other patents pending.