

Instructions Installation and Programming

RF

<h3>Mark Door</h3> <p>A. Use template provided to mark door for drilling 43" (110cm) from the base of the door or 8" above door knob or lever, center to center.</p> <p>B. Use the template to select backset 2 3/8" (60mm) or 2-3/4" (70mm).</p>		<h3>Drilling</h3> <p>A. Bore 2-1/8" (54mm) hole through door face from both sides of door to avoid damaging door surface.</p> <p>B. Drill 24mm (15/16") to 25mm (1") hole through door edge.</p>	
<h3>Install Deadbolt</h3> <p>A. Insert deadbolt latch into hole. Mark all around the plate and the screw holes.</p> <p>B. Drill 1/16" pilot holes for screws. Chisel recess for face plate.</p> <p>C. Secure latch with screws.</p> <p>D. Make sure the face plate of the latch is flush with edge of door.</p>		<h3>Install Door Jamb</h3> <p>A. Shut door and mark door jamb exactly opposite center of bolt hole by tracing hole.</p> <p>B. Drill an enlarge hole jamb 1" (25mm) and 1" (25mm) deep.</p> <p>C. Mark all around plate and chisel recess at least 1/10" (2.5mm) for strike box.</p> <p>D. Secure strike plate with screws.</p>	

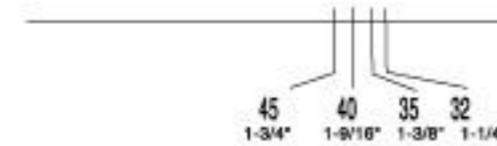
Deadbolt Latch Must Be Able To Operate Smoothly With Door Jamb, Strike Box, And Strike Plate, After Installation.

1. outside cylinder head
2. Flat Driver Bar
3. Latch Face Plate
4. Deadbolt Latch
5. Turn Piece
6. Inside Mounting Plate
7. Main Module
8. Battery Cover
9. Battery Cover Screw
10. Battery Module
11. Module Mounting Screw
12. Mounting Screws

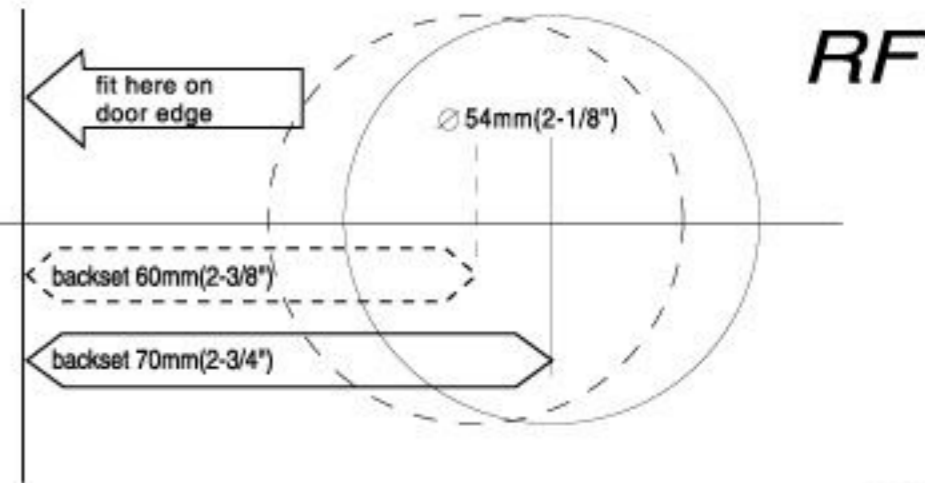
- Place the latch (#5) in an unlocked position. Turn the Turn Piece (#7) in an Unlock position.
- Install the outside cylinder head (#1), make sure the key is not inserted in the cylinder, turn the flat driver bar (#2) toward unlock position, then insert thru the cross-hole on the latch (#5) then connect to the turn piece (#7).
- Connect the wire under the deadbolt latch thru the hole.
- Align the Mounting Screws (#12) thru the inside mounting plate (#6), deadbolt latch (#5) and connect to the outside cylinder head (#1). Secure the mounting screws and test for the operation by connection the wires and attach the main module (#13).

We Make Your Life Easier
MORNING INDUSTRY INC.
800-355-0157
www.morningindustry.com

TEMPLATE



Mark 24mm (15/16") hole at center of door edge.



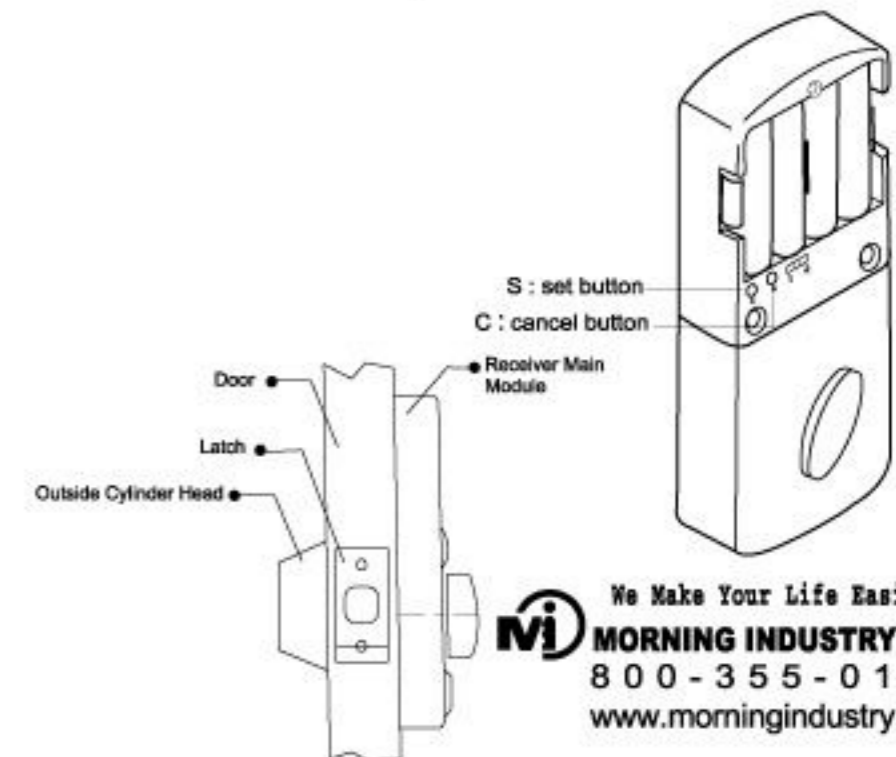
- Open the battery cover, there are two buttons, labeled with "S" the set button and "C" the cancel button. Use a small sharp object such as a pen or nail to operate these buttons.
- Press "S", the set button and you will hear one beep confirmation tone, then press either the lock or unlock button on the remote. When you hear 2 confirmation beeps, this remote control is programmed to the lock.
- Repeat procedure #2 to program up to 15 different remote controls. A long beep tone will sound when the lock is programmed for over 15 remote controls.
- To cancel programmed remote controls, press the "C" button and you will hear one confirmation beep, then press a new remote control in front of the lock and you will hear two confirmations beeps. This will erase all the remote controls previously programmed, leaving this new remote control the only one to operate the lock. Repeat procedure # 2 to program additional remote controls to operate the lock.
- All the commands must be done within 5 seconds after the initial one beep confirmation tone. The lock will not change any programming if you fail to enter any new remote control within 5 seconds.

Audible Tone

- 10 consecutive beeps - Low battery, batteries do not have enough power to turn the motor
- 3 consecutive beeps - Door is jam, latch is jam or the lock is out of alignment
- 2 beeps - Confirmation beep mean the command is accepted

Warranty

Morning Industry Inc. Warranty
Limited Lifetime Warranty on Exterior Finish
Limited Lifetime Mechanical Warranty
1 Year Limited Electrical Warranty
Morning Industry Inc. warrants to the original residential user of this product will be free from defects in materials and workmanship, under normal use, for 1 year from the date of purchase. User must provide a copy of original purchase receipt. This warranty Does Not Cover abused or misused products or products used in commercial applications. All mechanical components carry a limited warranty, for a period of 25 years from the date of purchase. The Finish of the exterior of this lock carries a limited warranty of the lifetime of the unit against deterioration due to normal weather conditions. This warranty does not apply to locks that have been improperly installed, modified, put to a use other than a designed, or subjected to acts of god (such as floods, lightning, earthquakes, ect.) This Warranty is limited to repairing, replacing or refunding the original purchase price of this locking only at Morning Industry Inc.'s sole discretion. Morning Industry Inc. will NOT be liable for the cost of installing, removing, nor reinstalling this product, nor direct, indirect, or consequential damage to persons or property resulting from the use of our product. Some states do not allow the exclusion or limitation of incidental or consequential damages, so the above exclusion may not apply to you. This warranty gives you specific legal rights and you may also have other rights that vary from state to state. To implement this warranty, please enclose a copy of purchase receipt, day and night time telephone number, and a check or money order of \$10.00 for Shipping and Handling. Please return the lock with above information with S+H Charge freight prepaid to:
Morning Industry Inc.
234 S. 5th Ave.
La Puente, CA 91746



We Make Your Life Easier
MORNING INDUSTRY INC.
800-355-0157
www.morningindustry.com