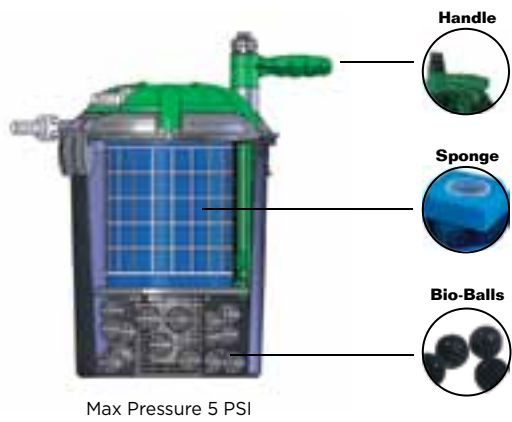


Biological Filtration

Pressurized Filters

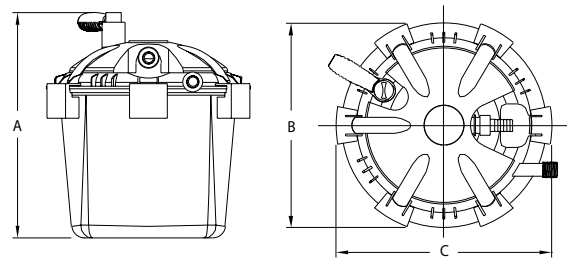
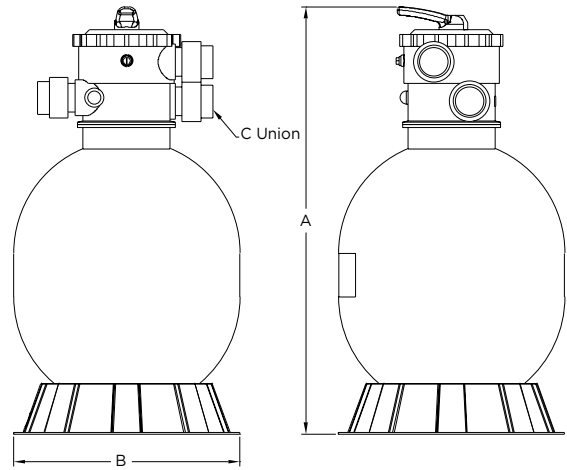
Installed above or under ground, these pressurized filter systems improve filtration and promote the colonization of beneficial bacteria. Maintenance is a simple backwash with the valve. Use in conjunction with Little Giant pumps, skimmers, and UV clarifiers for optimum filtration.

- Easy to use backwash style
- PBF includes pressure gauge and bacteria
- PF grab and twist handle allows simple filter cleaning



PRESSURIZED FILTERS	Item Number	Dimensions (Inches)			Max Flow
		A	B	C	
PF-800	566119	18	14	14	800 gph
PF-1200	566120	21	14	14	1200 gph
PF-2400	566126	25	14	14	2400 gph
PBF-2000	566881	31	16	1-1/2"	2000 gph
PBF-4000	566882	36	19	2"	4000 gph
PBF-6000	566883	46	19	2"	6000 gph

PRESSURIZED FILTER ACCESSORIES	Item Number	Amount
BM-30-PW	566112	30 count



Little GIANT®
Outdoor Living