

LIFEGARD® All In One Pond Filter System

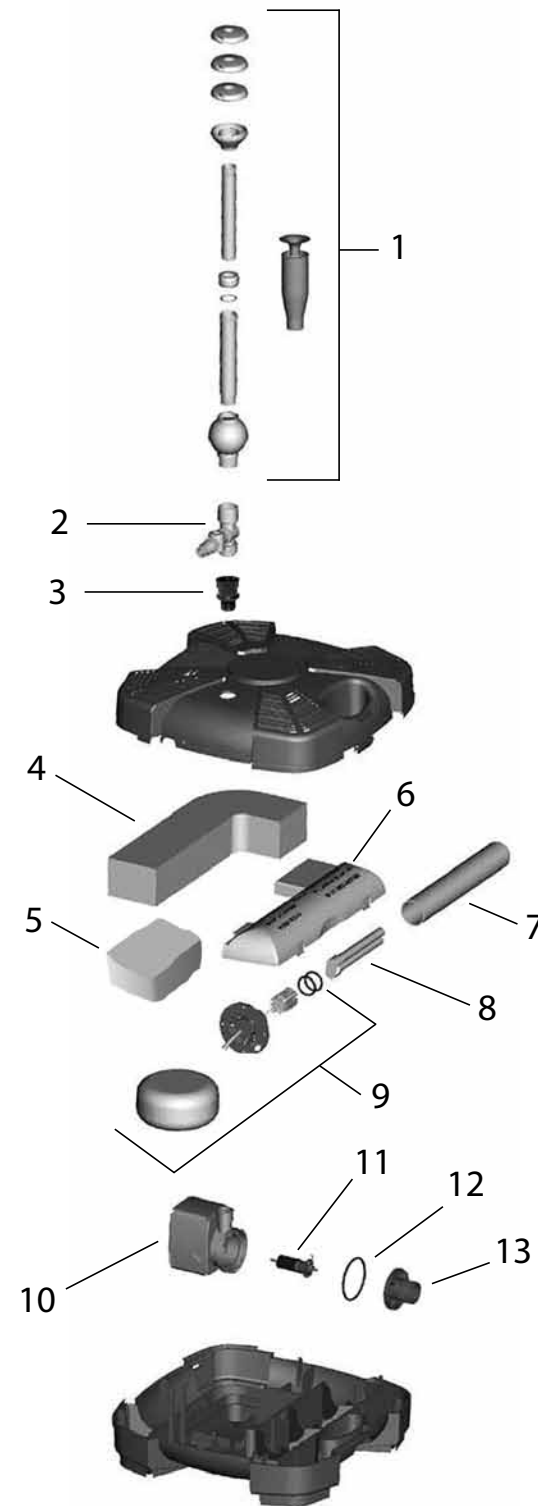


INSTRUCTIONS



Parts Breakdown

ITEM#	PART#	DESCRIPTION
1	R440435	Fountain Kit
2	R440439	Diverter Valve
3	R440440	Fitting
4	R440446	Mechanical Filter Sponge Media
5	R440447	Biological Filter Media
6	R440448	UV Cover Housing
7	R440436	Quartz Sleeve
8	R440437	UV Replacement Bulb
9	R440438	"O" ring, Connector, Cap and Ballast
10	R440442	Pump
11	R440443	Pump Impeller
12	R440444	Pump "O" Ring
13	R440445	Front Housing



Warranty

- ◆ One year warranty on Pond All In One Filter System.
- ◆ 60 day warranty on Ultraviolet bulbs.
- ◆ Warranty period starts from date of purchase and must be validated with copy of original purchase receipt.
- ◆ Warranty requests by phone will not be honored.
- ◆ Warranty items returned without copy of original purchase receipt will not be honored.
- ◆ Products purchased from EBay, Craig's List, etc. cannot be honored for warranty unless returned by original purchaser with proof of purchase.
- ◆ All items must first be returned to Lifegard Aquatics for inspection, evaluation, and processing to determine if product qualifies for warranty replacement or repair. No warranty (repair, replacement, or credit) will be issued prior to inspection of product. Please contact us first for warranty assistance. Many times the product can be repaired without the cost and time involved in sending it back to us. If absolutely necessary, return product freight prepaid to the following address for warranty evaluation and processing.

Read Instructions Before Installing

The advanced features of this compact filter system allow efficient operation and if installed according to instructions, will keep the water in your pond or water garden crystal clear.

The ALL IN ONE FILTER SYSTEM is a compact filter for ponds and water gardens, easy to install and designed for easy maintenance. Besides offering 4 different fountain spray patterns, it performs three different filtering functions:

- 1. MECHANICAL** to remove solids.
- 2. BIOLOGICAL** to promote beneficial bacteria growth.
- 3. ULTRAVIOLET STERILIZER** to kill free floating algae. The ultraviolet sterilizer has a separate plug so that you can operate it only when needed.

Technical Data

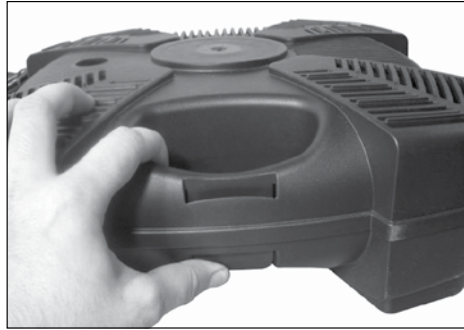
Voltage	115 Volt / 60 Hz
Wattage	55 Watts
Maximum Flow Rate	679 GPH
Maximum Head	8.2 Feet
Maximum Depth	3.3 Feet
Power Cables	25 Feet
Weight	12 Lbs.
Maximum Water Temp	95° F
Pond Volume	300 Gallons up to 1500 Gallons
UV Lamp	9 Watt
Ballast	UL Listed 115V / 60 Hz

WARNING:

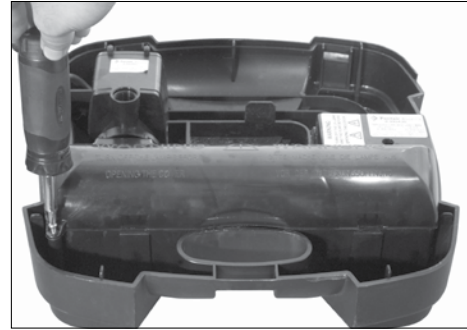
UV Bulb, quartz sleeve, and ballast must be installed first before operating the unit. Never operate bulb outside of unit as brief exposure to ultraviolet radiation will damage eyes and skin.



1. Unscrew and remove adapter fitting on top of unit.



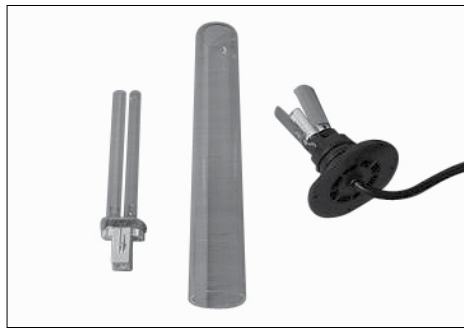
2. Press tab on front handle of unit and remove the upper top half of filter.



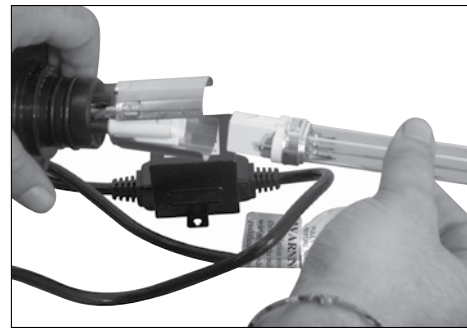
3. Unscrew and remove uv cover.



4.



5. Gently unpack UV bulb, quartz sleeve and ballast assembly. Carefully place aside as parts are extremely fragile.



6. Carefully slide uv bulb into receptable on ballast.



7. Carefully slide quartz sleeve over bulb and onto ballast making sure sleeve is pushed all the way over both "O" rings and next to the flat end of the ballast assembly.



8. Carefully lay ballast assembly with uv bulb and quartz sleeve attached inside filter.



9. Replace uv cover and secure with screws.



10. Replace top half of filter making sure pump and uv cord is in the proper groove.



11. Replace adapter fitting on top of unit.



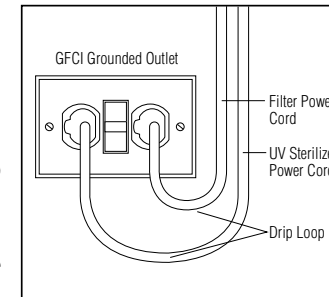
12. Attach diverter valve and fountain assembly.

Installation

WARNING: Disconnect the unit from power source before performing any maintenance or installation in the water or out.

DANGER: Do not operate UV bulb outside housing. Ultraviolet radiation can be harmful to skin and eyes. To check if the UV bulb is operating, observe lit bulb through holes of the upper lid.

DRIP LOOP: To prevent accidental dripping of water on power plug or outlet, use the cord to create a drip loop. Connect both power cords to a grounded (GFCI) outlet.



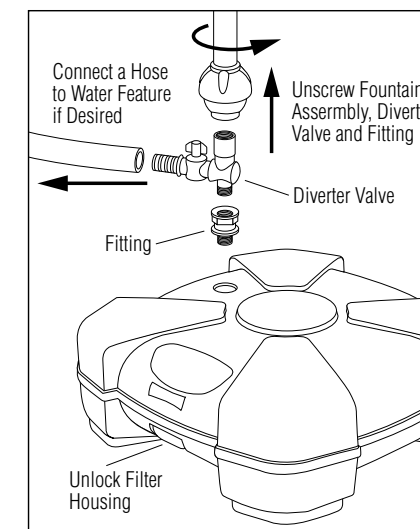
1. Determine the exact place to install filter. The shape of your Filter System unit makes it stable and easy to place in any pond.
2. Connect the diverter valve and ball-joint leveling device, the telescopic tube and your choice of water nozzle to the outlet of the pump. Turn diverter valve into closed position.
3. Place the filter on a horizontal surface about 4" from the bottom, away from mud and algae.
4. In order to have a good fountain spray, the bottom surface must be horizontal and the jet must be in a vertical position. Use the ball-joint on the telescopic pole to adjust it to a vertical position.
5. The filter is now ready for use. Plug in the power cord to the pump.

(NOTE: The power cord to the UV sterilizer should only be used when free floating algae control is required).

Maintenance

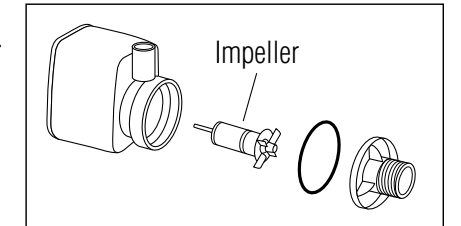
WARNING: Unplug pump and UV sterilizer before removing unit from pond and performing and maintenance. Maintenance is required when the height of the water fountain or pump flow decreases. Usually, maintenance is required every two months.

1. **To Open Filter:** Unscrew, counterclockwise, the fountain assembly, diverter valve and fitting. Unlock filter housing and open the 2 sides. **The fountain assembly, diverter valve and fitting must be removed from the pump prior to opening up the filter housing.**

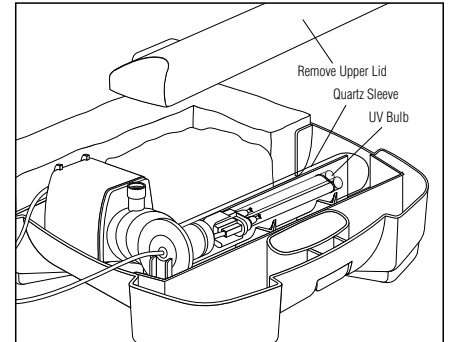


2. **To Clean Filter:** Open upper lid and remove mechanical filter sponge. Wash sponge with water. Do not use solvents or detergents.

3. **To Clean Pump:** If necessary to remove pump, first remove media and UV cover. Turn the front housing counterclockwise, extract the impeller being careful not to lose any internal parts. Wash the parts with water and check the wear condition by turning the impeller while keeping the shaft firm. The impeller should turn smoothly. Reassemble all parts paying attention to proper placement of all components.



4. **To Clean UV Sleeve:** If algae proliferate it may be necessary to check proper functioning of the UV bulb. If bulb is functioning, it may be necessary to clean quartz sleeve. To do this, make sure unit is unplugged (both pump and lamp). Remove upper lid and extract the quartz sleeve. Use rubbing alcohol to remove any build up of dirt or slime. Check that quartz sleeve has not been damaged and both o-rings are in place.



5. **To Change UV Bulb:** For best efficiency UV bulb should be replaced yearly. (Approx 9000 hours of use). Unplug both pump and UV. Remove the upper lid. Remove the bulb lid and extract the quartz sleeve and UV bulb and replace with a new one available from your dealer. Reassemble all parts making sure that all o-rings in the ballast are placed correctly.

Four Different Spray Patterns Included

