

BARREL STOVE KIT

MODEL BKAD-500/BSK-1000/BSK-1100

WARNING

1. This unit must not be used in Mobile Homes.
2. The unit must be connected to a flue outlet.
3. Because of high temperatures in use, the unit should be located away from furniture and draperies and clear of human traffic.
4. This unit has high surface temperatures in use and people must keep away from the unit to avoid burns or ignition of clothing. Young children must be carefully supervised when in the same room as the heater and should never be left alone in that area.
5. Clothing or other flammable material must not be placed on or near the heater.
6. The heater area must be kept clear and free from any combustible materials, gasoline and other flammable liquids.

SAFETY PRECAUTIONS

1. This stove must be properly installed, if not a house fire may result. For your safety, contact your local building or fire officials about restrictions and installation requirements in your area.
2. Always wear the proper safety glasses when assembling this unit.
3. Creosote may build up in the chimney connector and chimney. This build-up could cause a house fire. Inspect the chimney connector and chimney at least twice monthly during heating season and clean if necessary.
4. Do not overfire. Overfiring the appliance may cause a house fire. If the unit or chimney connector glows, you are overfiring.
5. Never use gasoline or other flammable liquids to start or "Freshen Up" a fire.
6. Dispose of ashes in a metal container.

MINIMUM BARREL SIZE

Recommended Minimum size for Models BKAD-500,BSK-1000 and Model BSK-1100 is a 30 Gallon Barrel.

MINIMUM WALL CLEARANCES

The stove must be 36" from combustible walls (wood or plaster board) at rear or sides. Clearances may be reduced to 4" if the wall construction is entirely non-combustible such as concrete or masonry.



UNITED STATES STOVE COMPANY

227 Industrial Park Rd.
P.O. Box 151
South Pittsburg, TN 37380
(423) 837-2100

ASSEMBLY INSTRUCTIONS FOR BARREL STOVE KIT MODEL BKAD-500 AND MODEL BSK-1000

- Step 1: Stand barrel on end with plugs facing up. Position door on barrel to cover up small plug (see illustration #1). (The large plug may act as a secondary draft inlet when additional air is needed to assist combustion).
- Step 2: Using a scribe or marking pencil, trace the area where door and door frame is to be cut.
- Step 3: Cut opening with either a hacksaw or sabre saw and fit door frame to barrel using bolts provided with kit. (See illustration #2)
- Step 4: With door opening cut, you are now able to get at the inside of the barrel to attach legs. Center legs so barrel is stabilized and secure legs to barrel.
- Step 5: Align damper/flue collar toward rear of barrel and trace where opening for flue collar and attach flue to barrel.
- Step 6: Secure all bolts and attach 6" stove pipe.
- Step 7: Add sand to the bottom of the barrel at approximately 2" height.

ASSEMBLY INSTRUCTIONS FOR BARREL STOVE KIT MODEL BSK-1100

- Step 1: Place adapter legs on top of first barrel. Mark holes, drill and attach.
- Step 2: Place second barrel on top of adapter legs. Mark holes, drill and attach.
- Step 3: Cut opening where rear flue collars meet and align. Next, cut opening for top flue on top of second barrel.
- Step 4: Align flue collar of first barrel with that of the second barrel. Mark holes, drill and attach. (See illustration #3)
- Step 5: Align both barrels and place 6" stove pipe between rear flues of top and bottom barrels.

CAUTION:

**Make sure barrels are thoroughly clean before applying barrel stove kit.
NEVER USE AN ACETYLENE TORCH** due to explosive gases that may be trapped inside your barrel.

ILLUSTRATION #1

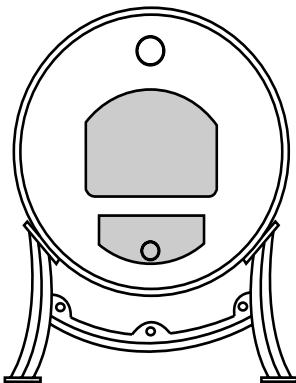


ILLUSTRATION #2

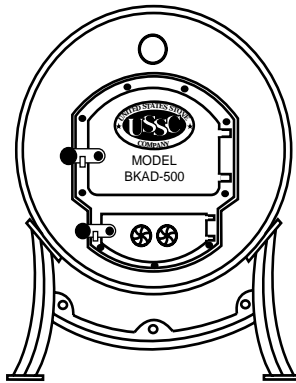
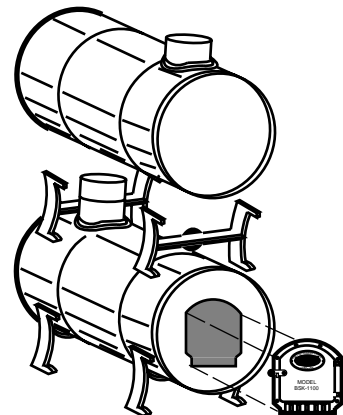


ILLUSTRATION #3



U.S. Stove Company stoves meet and/or exceed EPA requirements