



UNVENTED (VENT-FREE) FIREBOX Circulating Models

Listed Certified for USA ZVF24
ZVFB2410MVN, ZVFB2410MVP, ZVFB2426MVN, ZVFB2426MVP
Burner Systems are approved to: ANSI Z21.11.2-2007
for the ZVF24 Vent Free Firebox only



Owner's Operation and Installation Manual

INSTALLER: Leave this manual with the appliance.
CONSUMER: Retain this manual for future reference.

Warning

Carefully review the instructions supplied with the decorative type unvented room heater for the minimum size requirement.

DO NOT INSTALL THE APPLIANCE IN THIS FIREBOX UNLESS THIS FIREBOX MEETS THE MINIMUM DIMENSIONS REQUIRED FOR THE INSTALLATION

This appliance must be installed by a licensed plumber or gas fitter in the Commonwealth of Massachusetts and meet the requirements of 527 CMR 30 and 248 CMR.

Warning

**FOR USE ONLY WITH
A LISTED GAS-FIRED UNVENTED
DECORATIVE ROOM HEATER
NOT TO EXCEED
40,000 BTU/H.
DO NOT BUILD A WOOD FIRE**

Warning

If the information in this manual is not followed exactly, a fire or explosion may result causing property damage, personal injury, or loss of life.

- Do not store or use gasoline or other flammable vapors and liquids in the vicinity of this or any other appliance.
- **WHAT TO DO IF YOU SMELL GAS**
 - Do not try to light any appliance.
 - Do not touch any electrical switch; do not use any phone in your building.
 - Immediately call your gas supplier from a neighbor's phone. Follow the gas supplier's instructions.
 - If you cannot reach your gas supplier, call the fire department.
- Installation and service must be performed by a qualified installer, service agency, or the gas supplier.

Warning

Improper installation, adjustment, alteration, service, or maintenance can cause injury or property damage. Refer to this manual for correct installation and operational procedures. For assistance or additional information consult a qualified installer, service agency, or the gas supplier.

Warning

This is an unvented gas-fired heater. It uses air (oxygen) from the room in which installed. Provisions for adequate combustion and ventilation must be provided. Refer to Page 7.

Warning

The ZVF24 Firebox is to be used only with certain vent-free gas log heaters (see Page 20). Do not burn wood or other materials in these fireboxes.



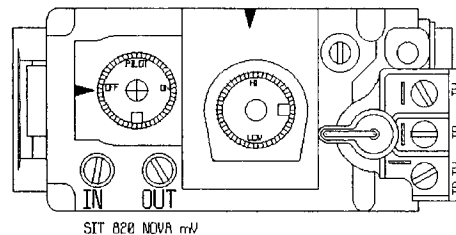
WARNING:

PLEASE VERIFY THE FOLLOWING STEPS ARE TAKEN WHEN INSTALLING A VENT FREE BURNER SYSTEM.

STEP 1: WHEN INSTALLING BURNER SYSTEMS, VERIFY THAT THE SERIAL NUMBER PLATE AND YELLOW BURNER INSPECTION TAG (LOCATED NEAR VALVE) ARE THE SAME TYPE OF GAS. SHOULD THE GAS TYPE NOT BE SAME, RETURN THE BURNER SYSTEM TO WHOM YOU PURCHASED IT FROM, AND ASK FOR A REPLACEMENT.

STEP 2: VERIFY THE WATER COLUMN PRESSURE (IN/OUT). (IF YOU DON'T KNOW HOW TO CHECK WATER COLUMN PRESSURE YOU SHOULD NOT BE INSTALLING THIS PRODUCT, CONTACT A LICENSED GAS FITTER.) THE OUTLET PRESSURE IS REQUIRED NOT TO EXCEED THE FACTORY SETTINGS. ADJUST PROPANE AT THE REGULATOR IF PRESSURES EXCEED THOSE RECOMMENDED, IF THE NATURAL GAS PRESSURE IS ABOVE 3 1/2" CONTACT THE FACTORY OR SALES REPRESENTATIVE WITH YOUR READING BEFORE YOU USE THE BURNER SYSTEM.

<u>TYPE OF GAS</u>	<u>INLET</u>	<u>OUTLET</u>
PROPANE	11"	10"
NATURAL GAS	5 1/2 - 7"	3 1/2"



STEP 3: THE POSITIONING OF THE LOGS IS CRITICAL FOR SAFE AND CLEAN OPERATION OF THIS HEATER. SOOTING AND OTHER PROBLEMS CAN OCCUR IF THE LOGS ARE NOT PROPERLY AND FIRMLY POSITIONED AS INSTRUCTED IN MANUAL. DO NOT ATTEMPT TO INSTALL LOGS IF THEY ARE DAMAGED OR BROKEN.

FAILURE TO FOLLOW AND COMPLY WITH THESE STEPS CAN CAUSE SOOTING AND KINGSMAN FIREPLACES WILL NOT BE RESPONSIBLE FOR ANY INCIDENTAL, CONSEQUENTIAL OR SPECIAL DAMAGES OR EXPENSES IN CONNECTION WITH ANY USE OR FAILURE OF THE VENT FREE BURNER SYSTEM.

READ OWNERS MANUAL CAREFULLY AND COMPLETELY BEFORE TRYING TO ASSEMBLE OPERATE, OR SERVICE THIS APPLIANCE.

TABLE OF CONTENTS

SECTION	PAGE
Table of Contents	3
PreInstallation Questions and Answers	4
Safety Information	5
Local Codes	6
Air for Combustion and Ventilation	7-10
Providing Adequate Ventilation	7
Determining Air Flow for Firebox Location	7
Ventilation Air From Inside Building	9
Ventilation Air From Outdoors	9
Fireplace Dimensions	10
Framing Specifications	11
Installing	
Installing by Framing Fireplace	12
Installing Firebox Using Optional Pre-Built Mantel Cabinets	13
Installing Clearances	14
Installing Z33FK Fan Kit	15
Installing ZVF2410 & ZVF2426 Brick Panel	16
Trim Assembly & Installation	17
Designer Trim Installation	17
Overlay & Designer Door Installation	18
Installing Burner System	19
Cleaning and Servicing of Burner / ODS Pilot	19
Log Placement	20
Millivolt Lighting Instructions	21
Troubleshooting	22
Illustrated Burner Parts List	23-24
Parts List & Accessories	25
Warranty	26

PRE-INSTALLATION QUESTIONS and ANSWERS

About curing of the paint

Your stove or fireplace has been painted with the highest quality silicone stove paint. This paint dries quickly in 15-20 minutes when first applied at the factory. However, due to the high temperature silicone components, the paint will cure when heat is applied to the appliance as it is first used.

The following information **applies to the curing process** to get the paint fully hard and durable.

Fire the appliance four successive times for 10 minutes each firing and a 5 minute cool down between each. Be aware during log and firebox paint curing that a white deposit may be developing on the inside of the glass doors. It is important to remove this white deposit from the glass doors with an appropriate cleaner to prevent build-up (such as Windex or a commercial fireplace glass cleaner).

- Babies, small children, pregnant women and pets should leave the area during the cure phase.
- Ventilate well, open doors and windows.
- Do not touch during curing.

Why does my fireplace or stove give off odour?

It is normal for your fireplace to give off some odour. This is due to the curing of the paint, adhesives, silicones and any undetected oil from the manufacturing process as well as the finishing materials used with the installations (e.g. marble, tile and the adhesives used to adhere this product to the walls can react with heat and cause odours).

It is recommended that you burn your gas fireplace or stove for a minimum of four hours at a time with the fan off after the curing of the paint has been completed. These odours can last upward to 40 hours of burn time, keep burning at a minimum of four hours per use until odours dissipate.

Noise coming from the fireplace?

- Noise caused by metal expanding and contracting as it heats up and cools down, similar to the sound produced by a furnace or heating duct. This noise does not affect the operation or longevity of your fireplace.

SAFETY INFORMATION WARNINGS

WARNINGS

Important: Read this owner's manual carefully and completely before trying to assemble, operate, or service this firebox. Improper use of this firebox can cause serious injury or death from burns, fire, explosion, electrical shock, and carbon monoxide poisoning.

Early signs of carbon monoxide poisoning resemble the flu, with headaches, dizziness, and / or nausea. If you have these signs, the heater may not be working properly. **Get fresh air at once! Turn off gas appliance. Have appliance serviced.** Some people (such as pregnant women, persons with heart or lung disease, persons with anemia and those at high altitudes) are more affected by carbon monoxide than others. Make certain you read and understand all warnings.

**This appliance is equipped for
(Natural or Propane) Gas.
Field conversion is not permitted.**

Warning: Failure to position parts in accordance with these diagrams or failure to use only part specifically approved with this heater may result in property damages or personal injury.

1. Use correct gas type for your appliance. Do not convert from one gas type to another.
2. If this appliance is for use with Propane gas, do not place propane supply tank(s) inside any structure. Locate propane supply tank(s) outdoors.
3. If you smell gas:
 - Shut off gas supply.
 - Do not try to light any appliance.
 - Do not touch any electrical switch; do not use any phone in your building.
 - Immediately call your gas supplier from a neighbor's phone. Follow the gas supplier's instructions.
 - If you cannot reach your gas supplier, call the fire department.
4. Do not use this appliance for burning trash or cooking. Never place matches, paper, garbage, or any other material on top of logs or logs into flame.
5. **Warning:** Always operate appliance with front fireplace screens closed.
6. Make sure any safety screen or guard removed for servicing is in place before running appliance.
7. Never run appliance in a small, closed room. Open the door into next room to help ventilate.

DANGER

**CARBON MONOXIDE POISONING
MAY LEAD TO DEATH!**

NOTE: It is recommended that a Carbon Monoxide (CO) Detector be installed in or near bedrooms and on all levels of your home. Place a detector about 15 feet (4.5 meters) outside the room that houses your gas appliance.

8. If appliance shuts off, do not relight until you provide fresh outside air. If appliance keeps shutting off, have it serviced.
9. Do not run appliance:
 - where flammable liquids or vapors are used or stored.
 - under dusty conditions.
10. Surface of appliance becomes very hot when operating. Keep children and adults away from hot surface. Appliance will remain hot for some time after shutdown. Allow surface to cool before touching.
11. Do not use this appliance if any part has been submerged under water. Immediately call a qualified technician to inspect the appliance and to replace any part of the control system and gas control which has been under water.
12. The installation must conform with local codes or, in the absence of local codes, with the National Fuel Gas Code, ANSI Z223.1.
13. Never install the appliance:
 - in a bedroom, bathroom, mobile home, or recreational vehicle.
 - where curtains, furniture, clothing, or other flammable objects are less than forty-two inches (42") from the front of the appliance.
 - in high traffic areas.
 - in windy or drafty areas.
14. Disconnect the appliance and its individual shut off valve from the gas supply piping system during any pressure testing of that system at test pressures in excess of 1/2 psig, (3.5kPa).

SAFETY INFORMATION WARNINGS Cont.

15. Isolate the appliance from the gas supply piping system by closing its individual manual shut off valve during any pressure testing of the the gas supply piping system at test pressure equal or less than 1/2 psig.
16. Do not use any type of after-market blower that fits inside the fireplace. Drafts created by these type of blowers may cause sooting.
17. Turn off appliance and let cool before servicing. Only a qualified service person should install, service and repair appliance.
18. Inspect the appliance before use and at least annually by a professional service person. Frequent cleaning may be required due to excessive lint from carpeting, bedding material, etc. It is important that control compartment, burner and circulating air passage of the appliance be kept open.
19. When operated for the first time, there will be some smell from the appliance. This will diminish and disappear after a few hours of operation.
20. **Warning:** Do not allow fans to blow directly into the fireplace. Avoid any drafts that alter flame patterns.
21. **Warning:** Do not use a blower insert, heat exchanger insert or other accessory not approved for use with this heater.
22. The firebox canopy must not be replaced with a canopy which may be provided with the decorative type UNVENTED room heater.
23. **Warning:** Do not operate ceiling fans in same room as the vent free appliance.
24. Must be installed by a licensed gasfitter in the Commonwealth of Massachusetts. Complies to code 527CMR.
25. Unvented gas fired appliances may be used only for supplemental heat and/or decorative purposes and under no circumstances shall they provide a primary heat source.
26. **Warning:** Failure to keep the primary air opening(s) of the burner(s) clean may result in sooting and property damage.

LOCAL CODES

Install and use fireplace with care. Follow all local codes. In the absence of local codes, use the latest edition of The National Fuel Gas Code ANSI Z223.1, also known as NFPA 54*. Firebox must be electrically grounded in accordance with the National Electrical Code, ANSI/NFPA 70 (latest edition).

*Available from:

American National Standards Institute, Inc.
1430 Broadway
New York, NY 10018

National Fire Protection Association, Inc.
BatterymarchPark
Quincy, MA 02260



WARNING

If you do not follow these instructions exactly, a fire or explosion may result causing property damage, personal injury or loss of life.

FOR YOUR SAFETY READ BEFORE LIGHTING

- A. This appliance has a pilot which must be lighted by hand. When lighting the pilot, follow these instructions exactly.
- B. **Before lighting**, smell all around the appliance area for gas. Be sure to smell next to the floor because some gas is heavier than air and will settle on the floor.

What to do if you smell gas

- Do not try to light any appliance.
 - Do not touch any electric switch; do not use any phone in your building.
 - Immediately call your gas supplier from a neighbor's phone. Follow the gas supplier's instructions.
 - If you cannot reach your gas supplier, call the fire department.
- C. Use only your hand to push in or turn the gas control knob. Never use tools. If the knob will not push in or turn by hand, don't try to repair it, call a qualified service technician or gas supplier. Force or attempted repair may result in a fire or explosion.
 - D. Do not use this appliance if any part has been under water. Immediately call a qualified service technician to inspect the appliance and to replace any part of the control system and any gas control which has been under water.

AIR FOR COMBUSTION AND VENTILATION

Today's homes are built more energy efficient than ever. New materials, increased insulation, and new construction methods help reduce heat loss in homes. Home owners weather strip and caulk around windows and doors to keep the cold air out and the warm air in. During heating months, home owners want their homes as airtight as possible.

WARNING

This firebox shall not be installed in a confined space unless provisions are provided for adequate combustion and ventilation air. Read the following instructions to insure proper fresh air for this and other fuel-burning appliances in your home.

While it is good to make your home energy efficient, your home needs to breathe. Fresh air must enter your home. All fuel-burning appliances need fresh air for proper combustion and ventilation.

Exhaust fans, fireboxes, clothes dryers, and fuel burning appliances draw air from the house to operate. You must provide adequate fresh air for these appliances. This will insure proper venting of vented fuel-burning appliances.

PROVIDING ADEQUATE VENTILATION

The following are excerpts from *National Fuel Gas Code, NFPA 54/ANSI Z223.1, Section 5.3, Air for Combustion and Ventilation*:

All spaces in homes fall into one of the three following ventilation classifications:

1. Unusually Tight Construction, 2. Unconfined Space, 3. Confined Space.

The information on pages 14 through 16 will help you classify your space and provide adequate ventilation.

Unusually Tight Construction

The air that leaks around doors and windows may provide enough fresh air for combustion and ventilation. However, in building of usually tight construction, you must provide additional fresh air.

Unusually tight construction is defined as construction where:

- a. walls and ceilings exposed to the outside atmosphere have a continuous water vapor retarder with a rating of one perm (6 x 10⁻¹¹ per pasc-m²) or less with openings gasketed or sealed and
- b. weather stripping has been added on openable windows and doors *and*
- c. caulking or sealants are applied to areas such as joints around window and door frames, between sole plates and floors, between wall-ceiling joints, between wall panels, at penetrations for plumbing, electrical, and gas lines, and at other openings.

If your home meets all of the three criteria above, you must provide additional fresh air.

See *Ventilation Air From Outdoors*, page 16.

Confined and Unconfined Space

The National Fuel Gas Code (*ANSI Z223.1, 1992 Section 5.3*) defines a confined space as a space whose volume is less than 50 cubic feet per 1,000 btu per hour (4.8 m³ per kw) of the aggregate input rating of all appliances installed in that space. Rooms communicating directly with the space in which the appliances are installed*, through openings not furnished with doors, are considered a part of the unconfined space.

*Adjoining rooms are communicating only if there are doorless passageways or ventilation grills between them.

DETERMINING AIR FLOW FOR FIREBOX LOCATION

Determining if You Have a Confined or Unconfined Space

Use the work sheet on the next page to determine if you have a confined or unconfined space.

Space: Includes the room in which you will install firebox plus any adjoining rooms with doorless passageways or ventilation grills between the rooms.

AIR FOR COMBUSTION AND VENTILATION Cont.

1. Determine the volume of the space (length x width x height).

Length x Width x Height = _____ cu. ft. (volume of space)

Example: Space size 22ft. (length) x 18 ft. (width) x 8 ft. (ceiling height) = 3168 cu. ft. (volume of space)

If additional ventilation to adjoining room is supplied with grills or openings, add the volume of these rooms to the total volume of the space.

2. Divide the space volume by 50 cubic feet to determine the maximum Btu/Hr the space can support.

_____ (volume of space) ÷ 50 cu. ft. = 63.3 or 63,300 (maximum Btu/Hr the space can support)

3. Add the Btu/Hr of all fuel burning appliances in the space.

Vent-free firebox	_____	Btu/Hr
Gas water heater*	_____	Btu/Hr
Gas furnace	_____	Btu/Hr
Vented gas heater	_____	Btu/Hr
Gas firebox logs	_____	Btu/Hr
Other gas appliances*	+ _____	Btu/Hr
Total	= _____	Btu/Hr

Example:	Gas water heater	40,000 Btu/Hr
	Vent-free firebox with log heater	+ 39,000 Btu/Hr
	Total	= 79,000 Btu/Hr

* Do not include direct-vent gas appliances. Direct-vent draws combustion air from the outdoors and vents to the outdoors.

4. Compare the maximum Btu/Hr the space can support with the actual amount of Btu/Hr used.

_____ Btu/Hr (maximum the space can support)

_____ Btu/Hr (actual amount of Btu/Hr used)

Example: 63,300 Btu/Hr (maximum the space can support)

79,000 Btu/Hr (actual amount of Btu/Hr used)

The space in the above example is a confined space because the actual Btu/Hr used is more than the maximum Btu/Hr the space can support. You must provide additional fresh air. Your options are as follows:

- A. Rework work sheet, adding the space of an adjoining room. If the extra space provides an unconfined space, remove door to adjoining room or add ventilation grills between rooms, See *Ventilation Air from Inside Building*, page 15.
- B. Vent room directly to the outdoors. See *ventilation Air from Outdoors*, page 16.
- C. Install a lower Btu/Hr firebox, if lower Btu/Hr size makes room unconfined.

If the actual Btu/Hr used is less than the maximum Btu/Hr the space can support, the space is an unconfined space. You will need no additional fresh air ventilation.

WARNING

If the area in which the firebox and gas log heater may be operated is smaller than that defined as an unconfined space, provide adequate combustion and ventilation air by one of the methods described in the National Fuel Gas Code, ANSI Z223.1, 1992, Section 5.3.

AIR FOR COMBUSTION AND VENTILATION Cont.

VENTILATION AIR FROM INSIDE BUILDING

This fresh air would come from an adjoining unconfined space. When ventilating to an adjoining unconfined space, you must provide two permanent openings: one within 12" of the ceiling and one within 12" of the floor on the wall connecting the two spaces. You can also remove door into adjoining room. Follow the *National Fuel Gas Code NFPA 54/ANSI Z223.1, Section 5.3, Air for Combustion and Ventilation* for required size of ventilation grills or ducts.

Ventilation Air From Outdoors

Provide extra fresh air by using ventilation grills or ducts. You must provide two permanent openings: one within 12" of the ceiling and one within 12" of the floor. Connect these items directly to the outdoors or spaces open to the outdoors. These spaces include attics and crawl spaces.

IMPORTANT: Do not provide openings for inlet or outlet air into attic if attic has a thermostat-controlled power vent. Heated air entering the attic will activate the power vent.

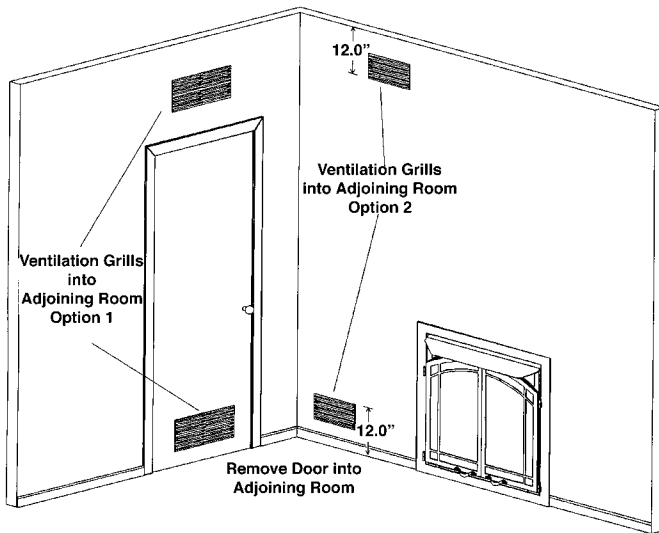


FIGURE 5 - Ventilation Air from Inside Building

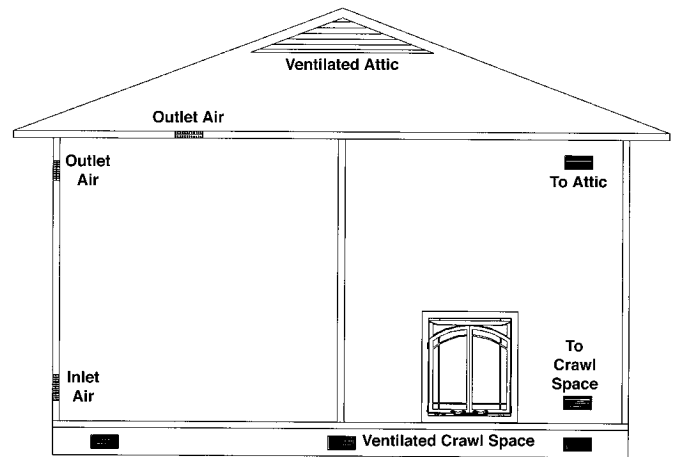
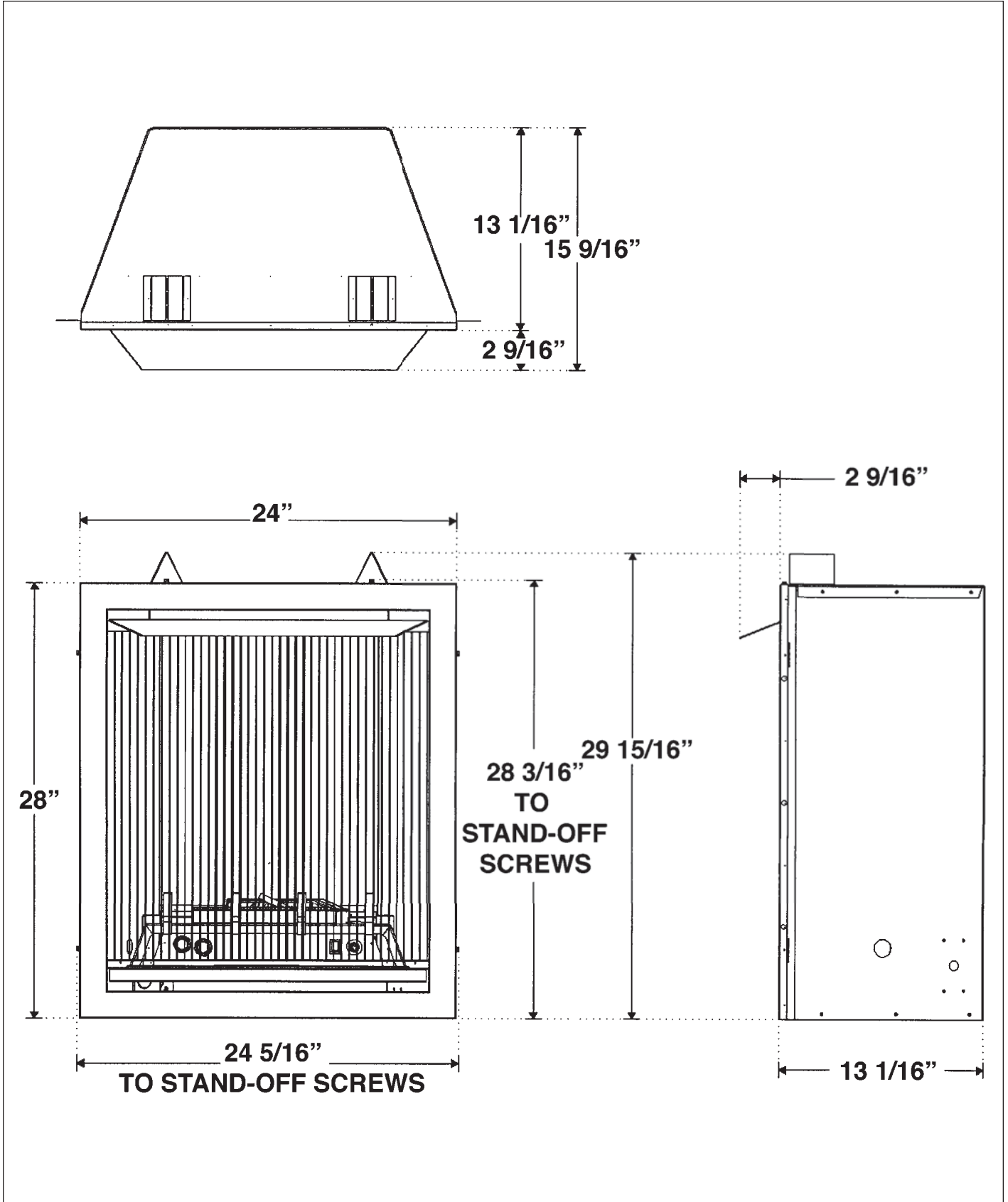


FIGURE 6 - Ventilation Air from Outdoors

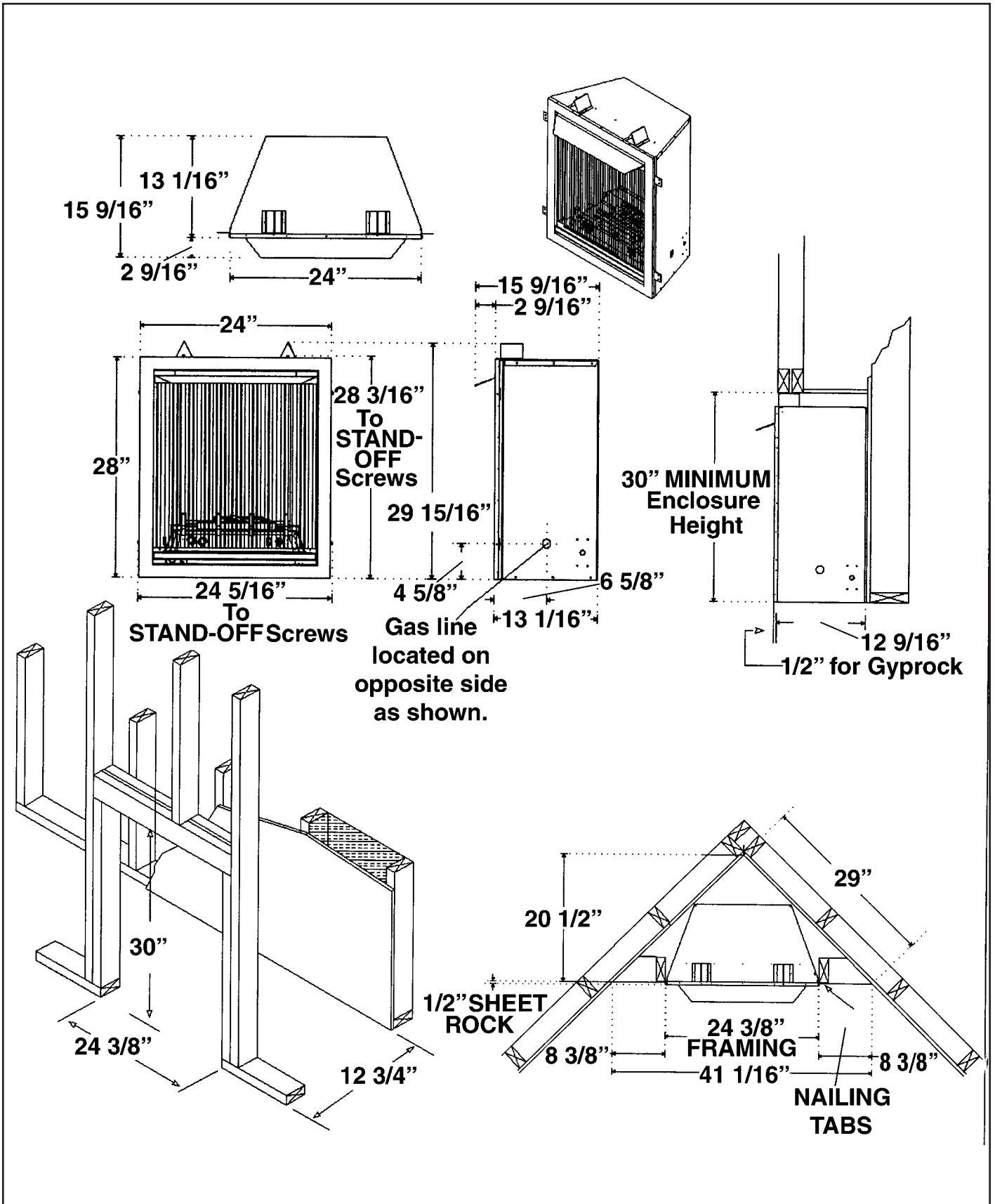
WARNING

Rework worksheet, adding the space of the adjoining unconfined space. The combined spaces must have enough fresh air to supply all appliances in both spaces.

ZVF2410-2426 FIREPLACE DIMENSIONS



ZVF2410/2426 FRAMING SPECIFICATIONS



INSTALLING – Framing

INSTALLING BY FRAMING FIREPLACE

Built-in installation of this firebox involves installing firebox into a framed-in enclosure. Optional brass trim accessories are available. The brass trim will extend past sides of firebox. This will cover the rough edges of the wall opening. If installing a mantel above the firebox, you must follow the clearances shown. Follow the instructions below to install the firebox in this manner.

1. Frame in rough opening. The firebox framing should be constructed of 2 x 4 lumber or heavier. Use dimensions on page 11. Adjust framing so that firebox is flush with finished wall surface.

TABLE 2 – ROUGH OPENING DIMENSIONS FOR BUILT-IN INSTALLATION

MODEL #	FRT WIDTH (Inside to Inside)	HEIGHT	DEPTH (Minimum)
ZVF2410	24 $\frac{3}{8}$ "	30"	12 $\frac{3}{4}$ "
ZVF2426	24 $\frac{3}{8}$ "	30"	12 $\frac{3}{4}$ "

2. Install gas piping to firebox location. See *Installing Gas Line* on page 20 and *Connecting to Gas Supply* in log set owners manual. **IMPORTANT:** If installing blower accessory see page 35.
3. Carefully insert firebox into rough opening.
4. Attach firebox to wall studs using nails or wood screws through holes in nailing flange.
5. If using optional Brass Surround Kit, install the trim after final finishing and/or painting of wall. See instructions included with brass trim accessory for attaching Surround.
6. Install and properly test gas log heater. Follow installation instructions included with the vent-free gas log heater that is being installed.

IMPORTANT: When finishing your firebox, combustible materials such as wall board, gypsum board, sheet rock, drywall, plywood, etc. may be butted up to the sides and top of the firebox. Combustible materials should never overlap the firebox front facing.

IMPORTANT: Non-combustible materials such as brick, tile, etc. may overlap the front facing, but should never cover any necessary openings like louvered slots.

CAUTION

Do not install the firebox on carpet or vinyl.

CAUTION

Log heaters installed in this firebox create warm air currents. These currents move heat to wall surfaces next to firebox. Installing firebox next to vinyl or cloth wall coverings or operating firebox where impurities in the air (such as tobacco smoke) exist, may discolor walls.

WARNING

Do not allow any materials to overlap the firebox front facing.

WARNING

Do not allow non-combustible materials to cover any necessary openings like louvered slots.

WARNING

Use only non-combustible mortar or adhesives when overlapping the front facing with non-combustible facing material.

WARNING

Never modify or cover the louvered slots on the front of the firebox.

INSTALLING – Mantel Cabinets

INSTALLING FIREBOX USING OPTIONAL PRE-BUILT MANTEL CABINETS

This firebox may be installed using a cabinet mantel accessory against a wall in your home. The firebox and cabinet mantel can be installed directly on the floor.

1. Assemble cabinet mantel. Assembly instructions are included with each accessory.
2. If using an optional Blower, install a properly grounded, 120 volt three-prong electrical outlet. See *Installing optional Fan Kit*, page 35, for complete installation. If possible, locate outlet so cabinet mantel will cover it when installed (see Figure 9).
3. Install gas piping to firebox location. See *Installing Gas Line*, page 20. You may have to cut an access hole in the floor or wall to run gas line to firebox. Make sure to locate access hole so cabinet mantel will cover it when installed (see Figure 9).
4. Place cabinet mantel on floor in desired location. Make sure mantel is flush against wall.
5. Carefully insert firebox into cabinet mantel. Be careful not to scratch firebox, cabinet mantel, flooring, etc. when installing.
6. Install and properly test gas log heater. Follow installation instructions included with the vent-free gas log heater that is being installed.

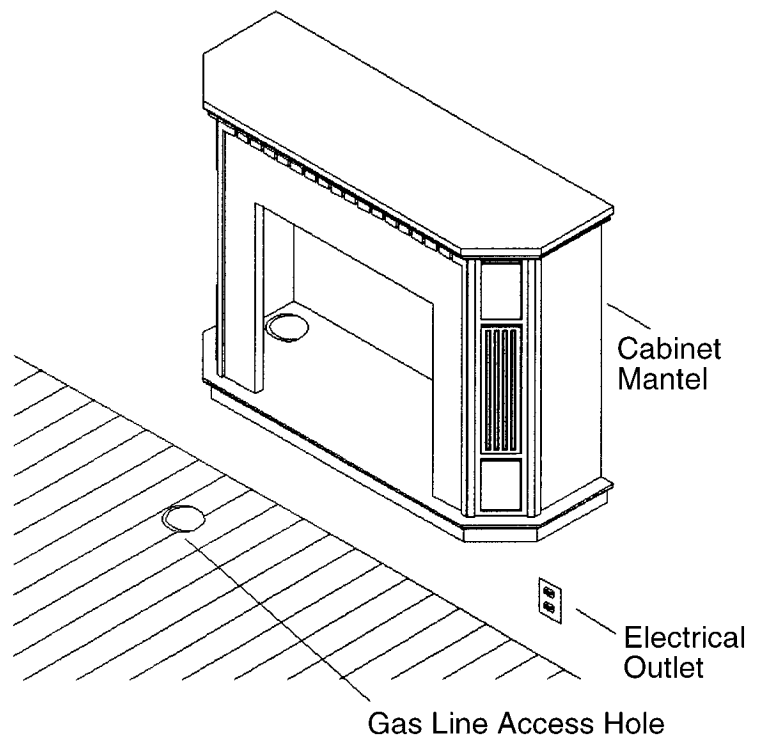


FIGURE 9 – Installing Cabinet Mantel

NOTICE

A qualified service person must install firebox. Follow all local codes.

WARNING

Any changes to this heater or its controls can be dangerous.

NOTICE

Installation and repair should be done by a qualified service person well trained in the installation of such appliances. You will also need a building permit from your local Building Commissioner before installing this appliance, otherwise your insurance company may not cover this appliance.

DANGER

**CARBON MONOXIDE POISONING
MAY LEAD TO DEATH!**

CAUTION

Use new black pipe only. Internally tinned copper tubing can be used in some areas when permitted by local codes. Only use pipe of 1/2" or greater diameter to allow full gas volume to heater. Excessive pressure loss will occur if the pipe is too small.

A manual shutoff valve, union and plugged 1/8" NPT pressure tap pointer must be installed upstream of the heater.

A sediment trap must be installed upstream of the heater to prevent moisture and contaminants from passing through the pipe to the heater controls and burners. Failure to do so could prevent the heater from operating reliably.

INSTALLING – Clearances

NOTICE

A qualified service person must install firebox.
Follow all local codes.



WARNING

Never install the firebox

- in a bedroom or bathroom
- in a recreational vehicle
- where curtains, furniture, clothing, or other flammable objects are less than 42 inches from the front, top, or sides of the firebox
- in high traffic areas
- in windy or drafty areas
- unless the installed log set is rated at 10,000 Btu/Hr or less in a bedroom or 6,000 Btu/Hr or less in a bathroom

IMPORTANT: Vent-free gas log heaters add moisture to the air. Although this is beneficial, installing firebox in rooms without enough ventilation air may cause mildew to form from too much moisture. See *Air for Combustion and Ventilation*, pages 7 through 9.

IMPORTANT: Make sure the firebox is level. If firebox is not level, log set will not work properly.

INSTALLATION CLEARANCES

Carefully follow the instructions below. This will ensure safe installation.

Minimum Wall and Ceiling Clearances

- Clearances from the firebox to adjacent wall should not be less than 4 inches.
- Clearance from the top of the fireplace front to the ceiling should not be less than 41 inches.
- Clearance from the bottom of firebox to the floor is 0 inches.
- Clearance from side of fireplace to enclosure is 0 inches.
- Clearance from top of fireplace standoffs is 0 inches.

These fireboxes can be installed as freestanding units against a wall with the approved, optional cabinet mantels or as a built-in unit. The clearances are the same for either installation method.



WARNING

Ensure the minimum clearances shown in Figures 7 and 8 are maintained. Left and right clearances are determined when facing the front of the heater.

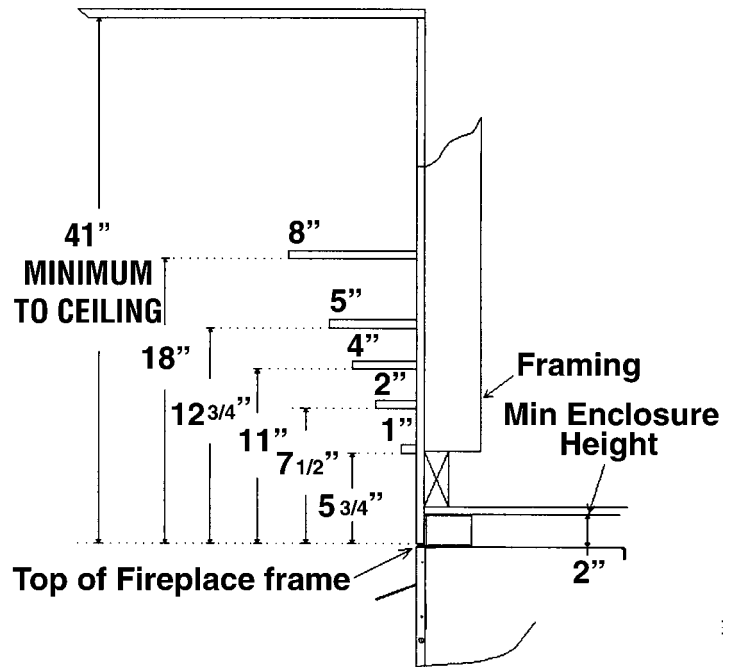


FIGURE 7 – Minimum Clearances - Top and Sides of Room Heater to Ceiling and Walls.

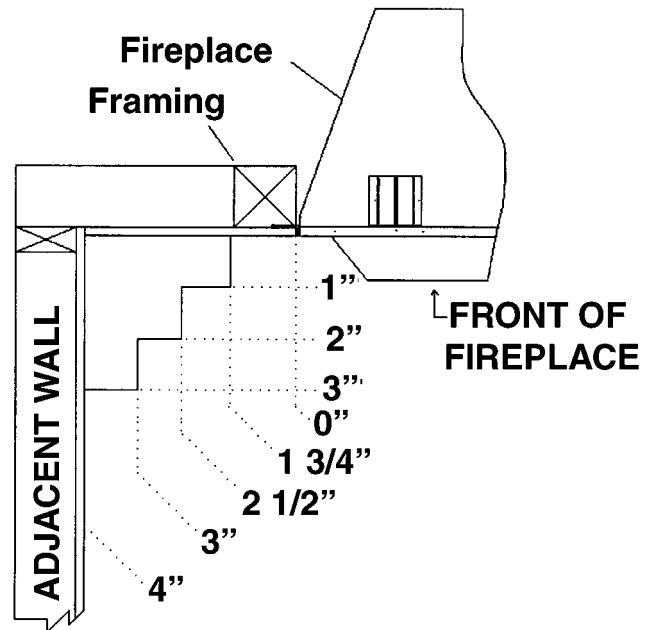


FIGURE 8 – Mantel Clearances.



WARNING

Maintain the minimum clearances. If you can, provide greater clearances from floor, ceiling, and adjoining wall.

INSTALLING Z33FK- Fan Kit

WARNING

A qualified electrician must connect electrical wiring to junction outlet for built-in installation. **Follow all codes.**

⚠ WARNING

Electrical Grounding Instructions - This appliance is equipped with a three - pronged (grounding) plug for your protection against shock hazard and should be plugged directly into a properly grounded three-prong receptacle.

WARNING

Label all wires prior to disconnection when servicing controls. Wiring errors can cause improper and dangerous operation. Verify proper operation and servicing.

ZVF2410 & ZVF2426 Fan Installation & Removal

Warning: Before installing or removing Fan System make sure power is off.

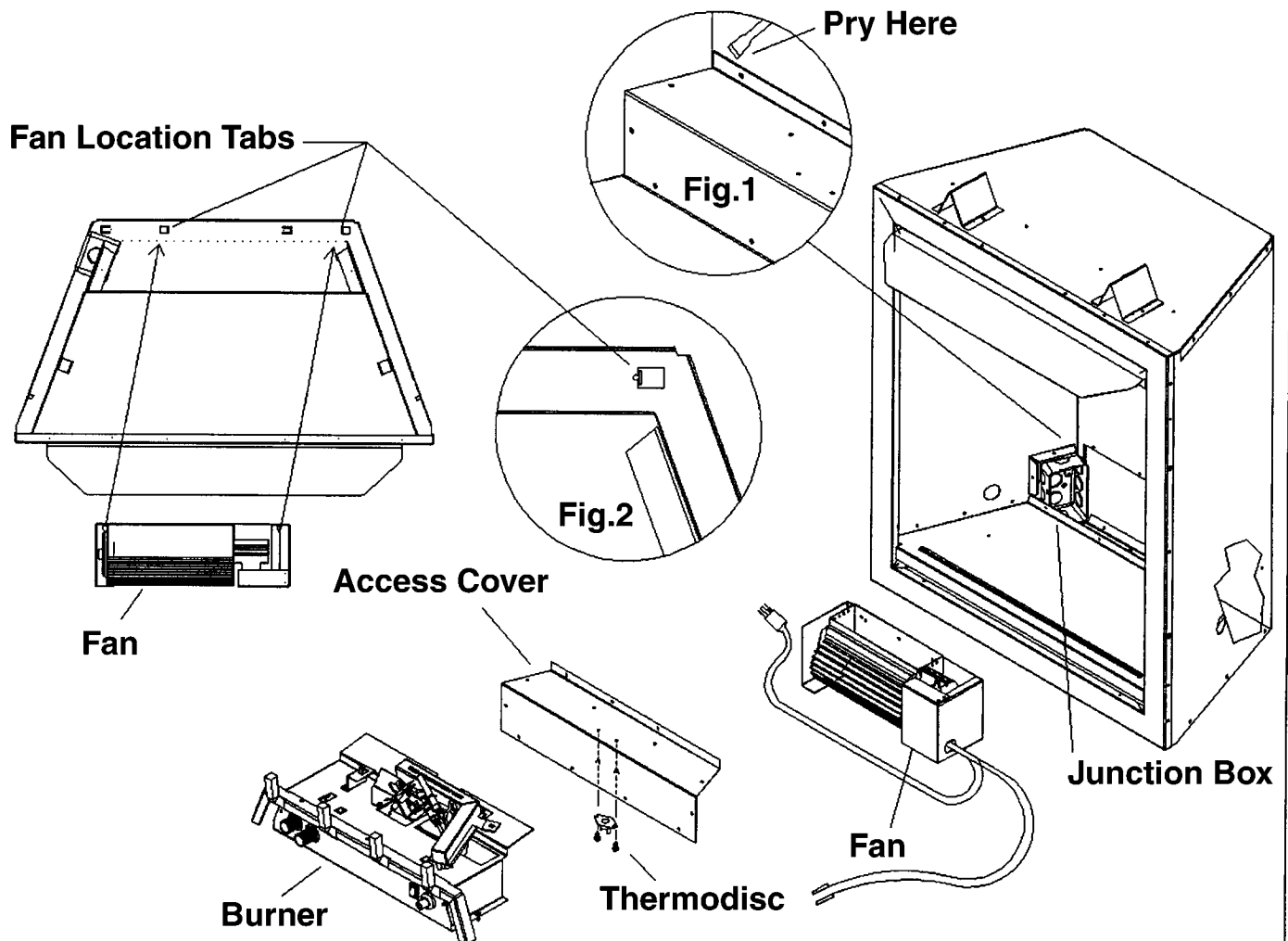
Note: When re-sealing access panel in the firebox, use high temperature silicon/millpac.

1. When installing or servicing fan remove access cover. Remove 12 screws from access cover and gently pry one corner of cover to break seal (Fig.1)
2. Junction box is now accessible for wiring. Wire receptacle into the junction box to 120v, also junction box should be wired inline to the supplied wall mounted variable speed control, or on/off wall switch.
3. Attach fan thermidisc securely to bottom of fan access cover. (Screws for thermidisc are factory installed)

4. Install fan by placing fan over mounting tabs on bottom of fireplace. (Fig.2)

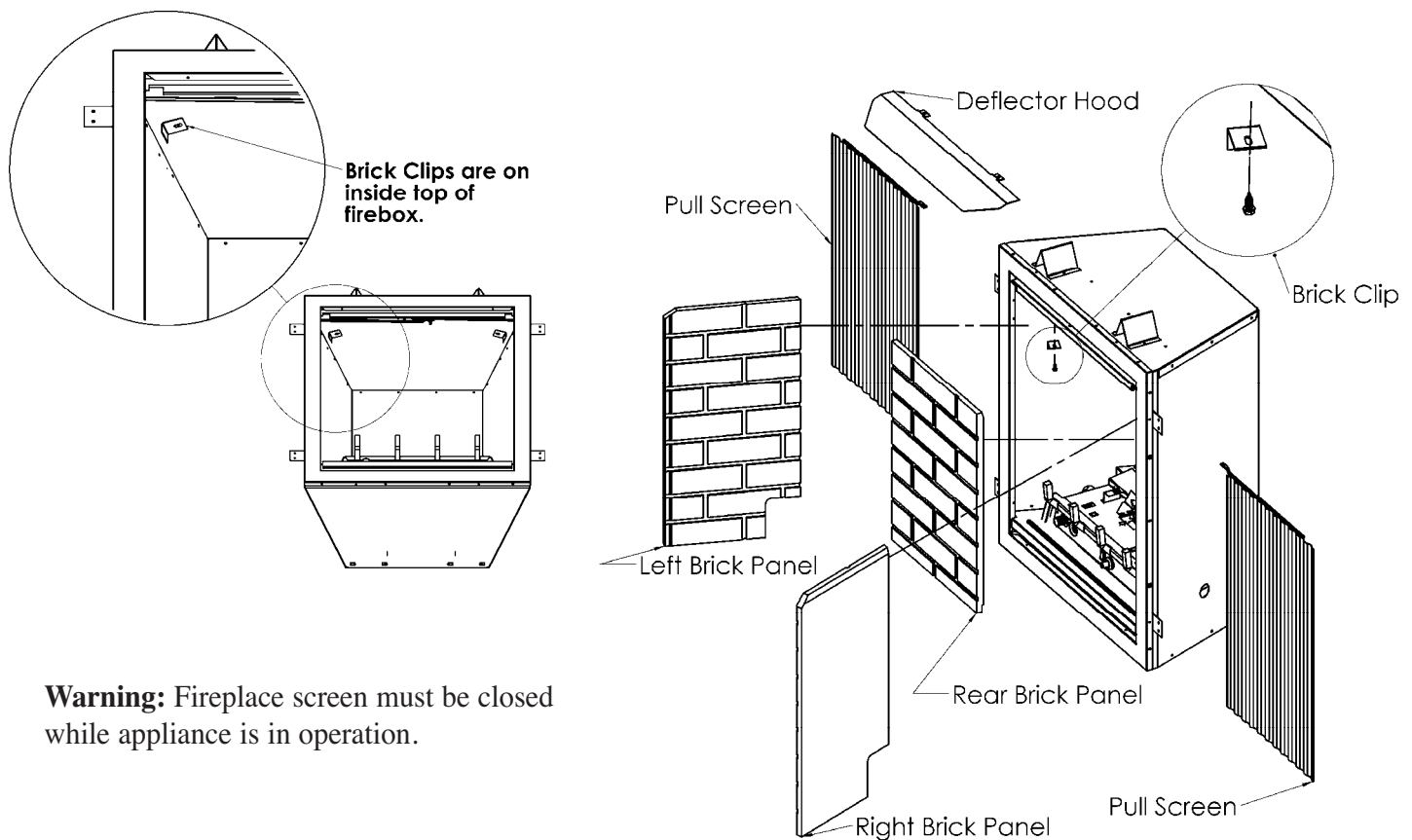
5. At this time power to the receptacle should not be on. Attach the 2 leads exiting fan onto the thermidisc and plug fan into receptacle junction box. Note: Make sure that excess wiring to thermidisc and fan cord to junction box is coiled up and placed under the burner bottom. Avoid letting the cord or thermidisc wire extend into blower wheel or project upward between the firebox wall and outer wall to prevent damage of wires.

6. Re-install fan access cover. Use Millpac or high temp silicone to seal fan access cover from combustion system. Power can now be turned on. Note: Fan will not turn on until thermidisc has reached maximum temperature or turn off until thermidisc has cooled to its minimum temperature.

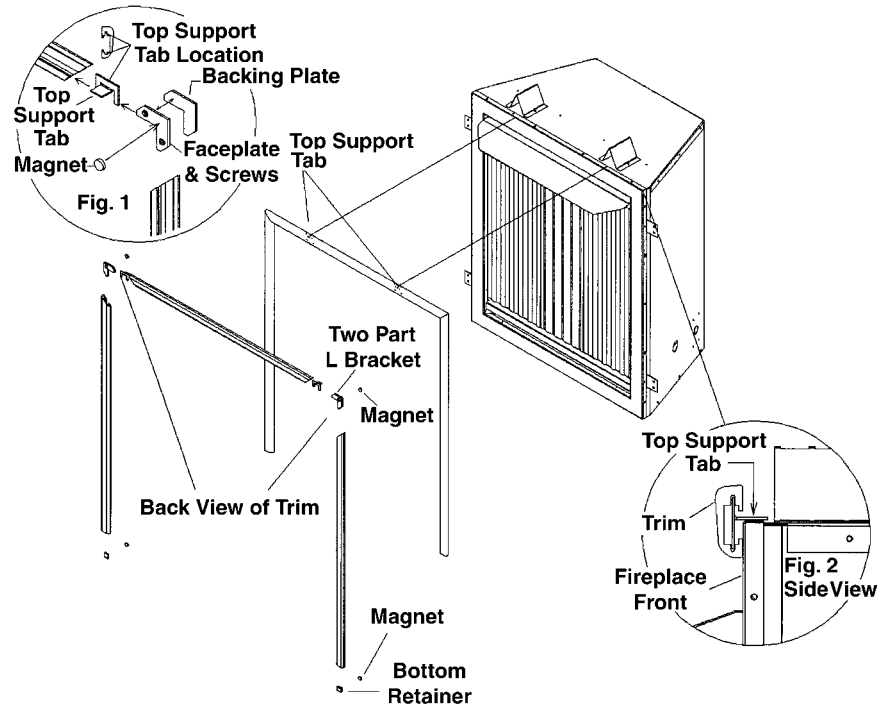


ZVF2410 & ZVF2426 Brick Panel Installation

1. Remove Deflector Hood by tilting front of hood up and pulling towards you.
2. Remove Pull Screens & Rods from fireplace.
3. Remove accessories, Overlays, Designer Doors, and or Logs if installed.
4. Place Rear Brick Panel up against the back of the firebox, ensuring the notched portion is at the bottom, and the beveled edge is at the top.
5. Loosen Brick Clip Screws, & rotate Brick Clips out of the way. Tilt & slide Side Brick Panels into position up against the rear Brick Panel. Slide Brick Clips up against side Brick Panels & tighten.
6. Replace Deflector Hood, Rods & Pull Screens, accessories, and Log Set as per instructions.

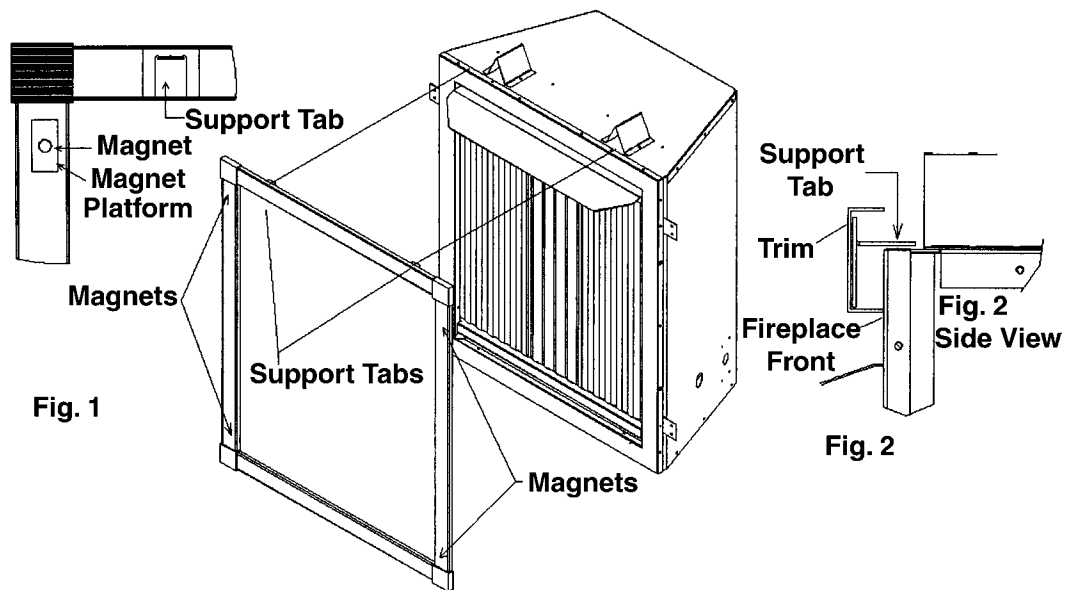


TRIM ASSEMBLY AND INSTALLATION



1. Slide the two top support tabs into slot of top trim piece as shown. (Fig.1)
2. Place two part L brackets and backing plates into 45 degree cut ends of trim and tighten screws. If this is a four piece trim repeat for bottom assembly.
3. Place magnet onto inside corners of L brackets and onto face of bottom retainer bracket.
4. Center top support tabs approximately 5" from either side of trim. Place trim onto fireplace by hanging trim from support tabs and Magnets. (Fig.2)

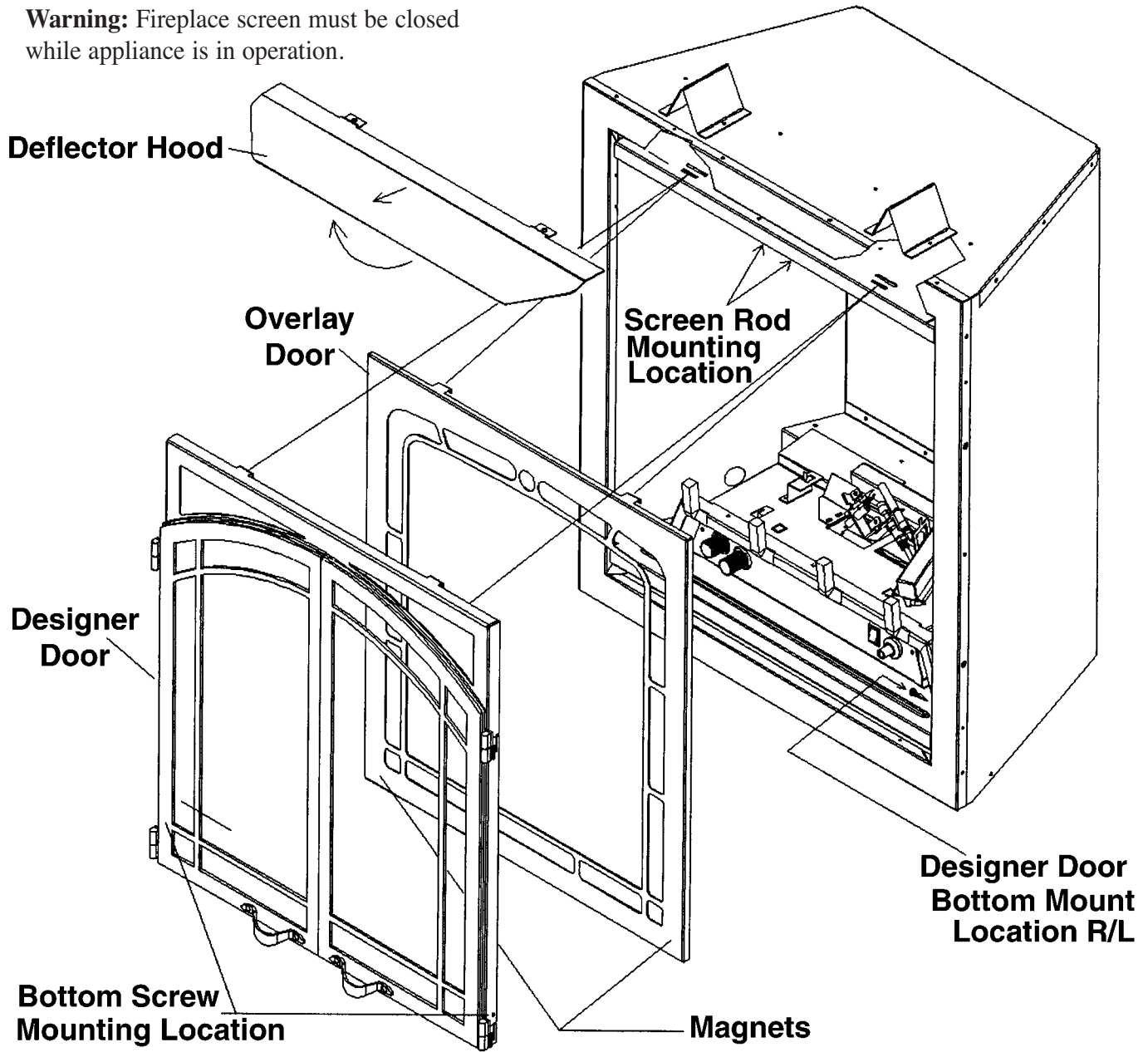
DESIGNER TRIM INSTALLATION



- * Careful: To avoid scratching paint on face of trim DO NOT place trim on hard surfaces.
1. On the back side of trim top there are two support tabs, using a small screwdriver bend tabs up 90 degrees. Tabs can also be bent by hand or pliers once partially bent up.
 2. Place four supplied magnets onto center of each magnet platform. (Fig.1)
 3. Place trim onto fireplace by hanging trim from support tabs and magnets (Fig.2)

OVERLAY & DESIGNER DOOR INSTALLATION

Warning: Fireplace screen must be closed while appliance is in operation.



Overlay Door Installation

1. Remove deflector hood by tilting front of hood up and pulling towards you.
2. Do not remove woven mesh screen. Screen will hang behind overlay door.
3. Hook top of overlay door into firebox top.
4. Bottom overlay is held in place by magnets. Make sure magnets are located on the bottom inside corners of overlay door.
5. Replace hood removed in step 1.

Designer Door Installation

1. Remove deflector hood by tilting front of hood up and pulling towards you.
2. Remove woven mesh screen. Remove two 10-32 nuts from screen rods, and remove woven mesh screens.
3. Hook top of designer door into firebox top
4. Attach right/left side of designer door to frame of fireplace with two supplied 5/32 screws.
5. Replace hood removed in step 1.

INSTALLING – Burner System

The Zero Clearance Fireplace ZVF24 Series can be installed with its listed burners only.

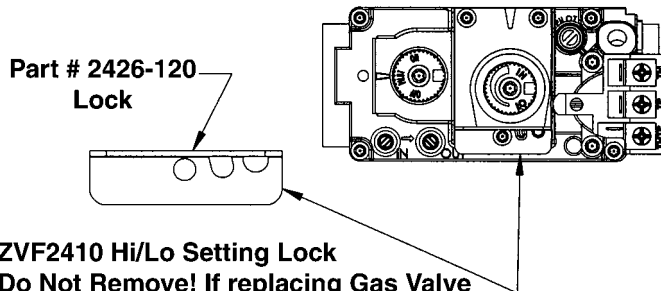
**This appliance is equipped for
(Natural or Propane) Gas.
Field conversion is not permitted.**

Warning: Failure to position parts in accordance with these diagrams or failure to use only part specifically approved with this heater may result in property damages or personal injury.

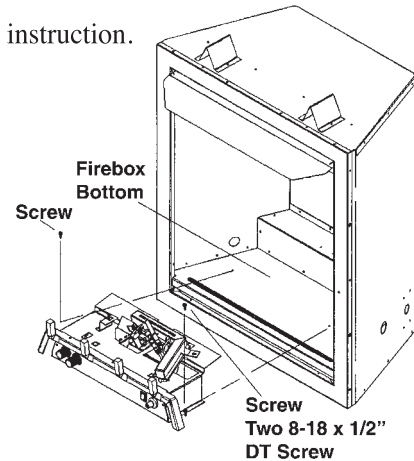
Burner Model	Valve Type	Fuel Type	BTU - Input	Min/Max Inlet	Manifold Pressure	Orifice Size	Primary Air
ZVFB2410MVN	Millivolt	Natural Gas	10,000 non-adjustable	5.5"/10"	3.5"	#52	1/32" open
ZVFB2410MVP	Millivolt	Liquid Propane	10,000 non-adjustable	11"/13"	10"	#65	1/2" open
ZVFB2426MVN	Millivolt	Natural Gas	17,500 - 25,250	5.5"/10"	1.6" - 3.5"	#42	1/8" open
ZVFB2426MVP	Millivolt	Liquid Propane	19,500 - 24,250	11"/13"	6.3" - 10"	#52	3/8" open

Note Install optional fan before installing burner system. See fan installation instruction.

1. To install burner system locate two holes in the bottom of firebox. Align two holes in firebox bottom with holes right and left of burner system. Using the two (2) supplied screws fasten burner system to firebox bottom.



ZVF2410 Hi/Lo Setting Lock
Do Not Remove! If replacing Gas Valve remove lock and install onto New Gas Valve.
Caution: When installing Hi/Lo Lock make sure knob is rotated counter-clockwise to the high position.



WARNING

Turn off heater and allow to cool before cleaning. Only a qualified service technician should service and repair appliance.
Failure to keep primary air openings clear, may result in sooting and property damage.

CLEANING AND SERVICING OF BURNER / ODS PILOT

It is recommended to annually inspect and clean the unit to prevent malfunction and / or sooting. This operation should be performed by your dealer or a qualified technician.

Remove log set, handling carefully by holding gently at each end. (Refer to *Log Placement*) Gloves are recommended to prevent skin irritation from ceramic.

Annual Cleaning / Inspection

- Do not use cleaning fluids to clean logs or any part of the heater.
- Use a soft bristle brush or a vacuum with brush attachment.
- Vacuum loose particles and dust from burner ports, valve and blower compartments.
- Vacuum any accumulation of lint from primary mixing tube.
- Inspect ODS pilot for operation, accumulation of lint at the air inlet holes.
- Verify flame pattern and log placement for proper operation.
- Verify that all ports ignite and cross over smoothly from rear to front burner.

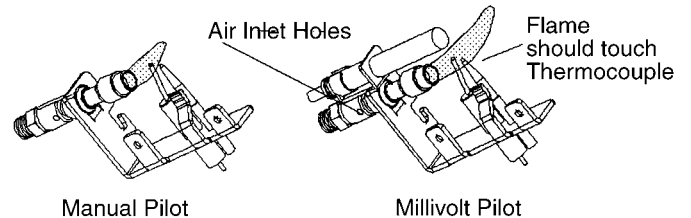


FIGURE 11 – Manual and Millivolt Pilot Flames

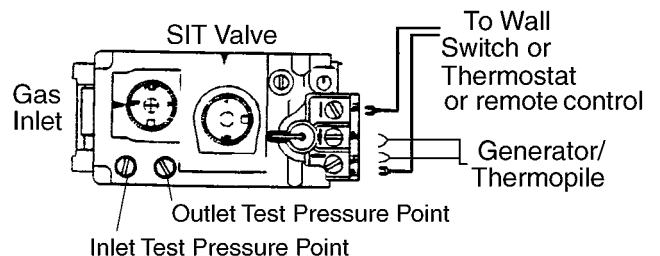
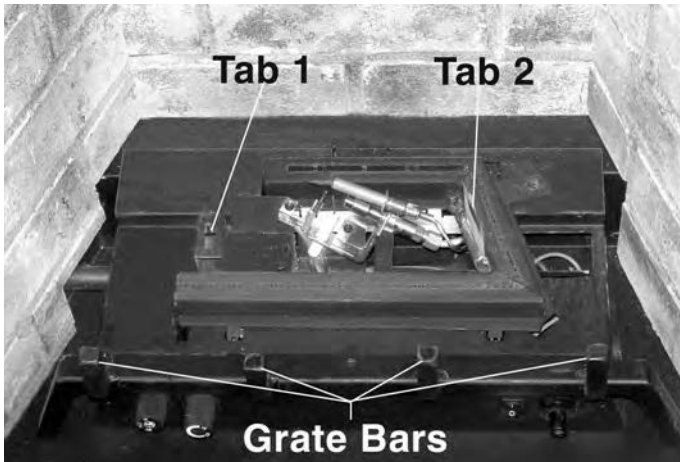


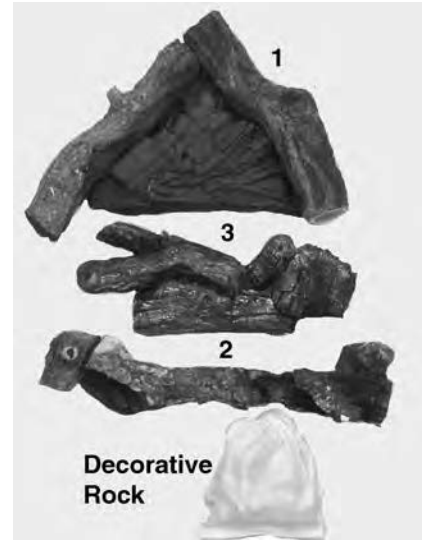
FIGURE 12 – Millivolt Models

LOGF10 PLACEMENT FOR ZVF24

Warning: Failure to position parts in accordance with these diagrams or failure to use only part specifically approved with this heater may result in property damages or personal injury.



Log Attachment Points



Log components



1. Place log #1 against the back wall of the unit. Center log as shown. Do not place log over the burner posts.



2. Locate the two notched areas of Log #2 and line them up with the two grate bars as shown.



3. Locate the two guide holes at the bottom of Log #3 and place them on Tabs 1 & 2. Add decorative rock to the bottom of firebox. Do not put rock on burner assembly.

WARNING

The positioning of the logs is critical for the safe and clean operation of this heater. Sooting and other problems can occur if the logs are not properly and firmly positioned in the heater. Never add additional logs or embellishments such as pine cones, vermiculite, volcanic rock or rock wool to the heater.

MILLIVOLT LIGHTING INSTRUCTIONS



FOR YOUR SAFETY READ BEFORE LIGHTING

WARNING: If you do not follow these instructions exactly, a fire or explosion may result causing property damage, personal injury or loss of life.

BEFORE LIGHTING

- A** This appliance has a pilot which must be lighted by hand. When lighting the pilot, follow these instructions exactly.
- B** Smell all around the appliance area for gas. Be sure to smell next to the floor because some gas is heavier than air and will settle on the floor.
- WHAT TO DO IF YOU SMELL GAS**
- Do not try to light an appliance.
 - Do not touch any electrical switch; do not use any phone in your building.
 - Immediately call your gas supplier from a neighbour's phone. Follow the gas supplier's instructions.
- If you cannot reach your gas supplier, call the fire department.
- C** Use only your hand to push or turn the gas control knob. Never use tools. If the knob will not push in or turn by hand, don't try to repair it, call a qualified technician. Force or attempted repair may result in a fire or explosion.
- D** Do not use this appliance if any part has been under water. Immediately call a qualified service technician to inspect the appliance and to replace any part of the control system which has been under water.

LIGHTING INSTRUCTIONS

1. Stop! Read the safety information above on this label.
2. Set the thermostat to lowest setting.
3. Turn off all electrical power to the appliance.
4. Locate valve under the burner assembly.
5. If the control knob is not already in the off position, ie. the word "OFF" in the 9 o'clock position, then push in the gas control knob slightly and turn  clockwise to "OFF".
NOTE: Knob cannot be turned from "PILOT" to "OFF" unless knob is pushed in slightly. Do not use force.
6. Wait five (5) minutes to clear out any gas. If you then smell gas. STOP! Follow "B" in the safety information above on this label. If you don't smell gas then go to the next step.
7. Now push in the control knob slightly and turn counter-clockwise  to the "PILOT" position.
8. Push in the control knob all the way and hold it. With the other hand push in the red ignitor button until you hear a click. Now observe closely the pilot burner located on the rear center-left hand side of the main burner. If a flame has appeared then continue to depress the control knob for 20 seconds. If the flame did not appear then continue to depress the red ignitor button every 5 seconds until a flame is established. NOTE: If after 30 seconds a flame has not yet been established then turn the control knob back to the off position and repeat steps 5, 6 & 7.
9. Once the pilot has been established hold the control knob in the depressed position for approximately 25 seconds before releasing. If the flame goes out then repeat steps 7 and 8.
10. Now turn the control knob to the "ON" position. The burner will not light unless the wall switch thermostat or remote control is turned "ON" or in the case of the thermostat there is a call for heat.
11. Close the access door and turn all electric power back to the appliance.

TO TURN OFF THE APPLIANCE

1. Set the thermostat to lowest setting.
2. Turn off all electric power to the appliance if service is to be performed.
3. Open the control access door.
4. Push in the gas control knob slightly and turn clockwise  to the "OFF" position. Do not force.
5. Replace control access panel.

TROUBLESHOOTING

WARNING

NOTE: all troubleshooting items are listed in order of operation.

Turn off and let cool before servicing. Only a qualified service person should service and repair heater.

When igniter button is pressed, there is no spark at ODS/Pilot.

Possible Cause

1. Igniter electrode positioned wrong.
2. Igniter electrode is broken.
3. Igniter electrode not connected to igniter cable.
4. Igniter cable pinched or wet.
5. Piezo igniter nut is loose.
6. Broken igniter cable.
7. Bad piezo igniter.

Remedy

1. Replace igniter.
2. Replace igniter.
3. Reconnect igniter cable.
4. Free igniter cable if pinched by any metal or tubing. Keep igniter cable dry.
5. Tighten nut.
6. Replace igniter cable.
7. Replace piezo igniter.

Appliance produces unwanted odors.

Possible Cause

1. Appliance burning vapors from paint, hair spray, glues, etc.
2. Gas leak.

Remedy

1. Ventilate room. Stop using odor-causing products while heater is running
2. Locate and correct all leaks.

Appliance shuts off in use.

Possible Cause

1. Not enough fresh air is available for ODS/pilot to operate.
2. Low line pressure.
3. ODS/pilot is partially clogged.

Remedy

1. Open window and/or door ventilation.
2. Contact local gas company.
3. Clean ODS/pilot.

Gas odor even when control knob is in OFF position.

Possible Cause

1. Gas leak.
2. Control valve defective.

Remedy

1. Locate and correct all leaks.
2. Replace control valve.

When igniter button is pressed, there is a spark at ODS/pilot, but no ignition.

Possible Cause

1. Gas supply turned off or manual shutoff valve closed.
2. Control knob not in PILOT position.
3. Control knob not pressed in while in PILOT position.
4. Air in gas lines when installed.
5. ODS/pilot is clogged.
6. Gas regulator setting is not correct.

Remedy

1. Turn on gas supply or open manual shutoff valve.
2. Turn control knob while in PILOT position.
3. Press control knob in while in PILOT position.
4. Continue holding down control knob. Repeat igniting operation until air is removed.
5. Replace ODS/pilot assembly or get it serviced.
6. Replace gas regulator.

ODS/pilot lights, but flame goes out when control knob is released.

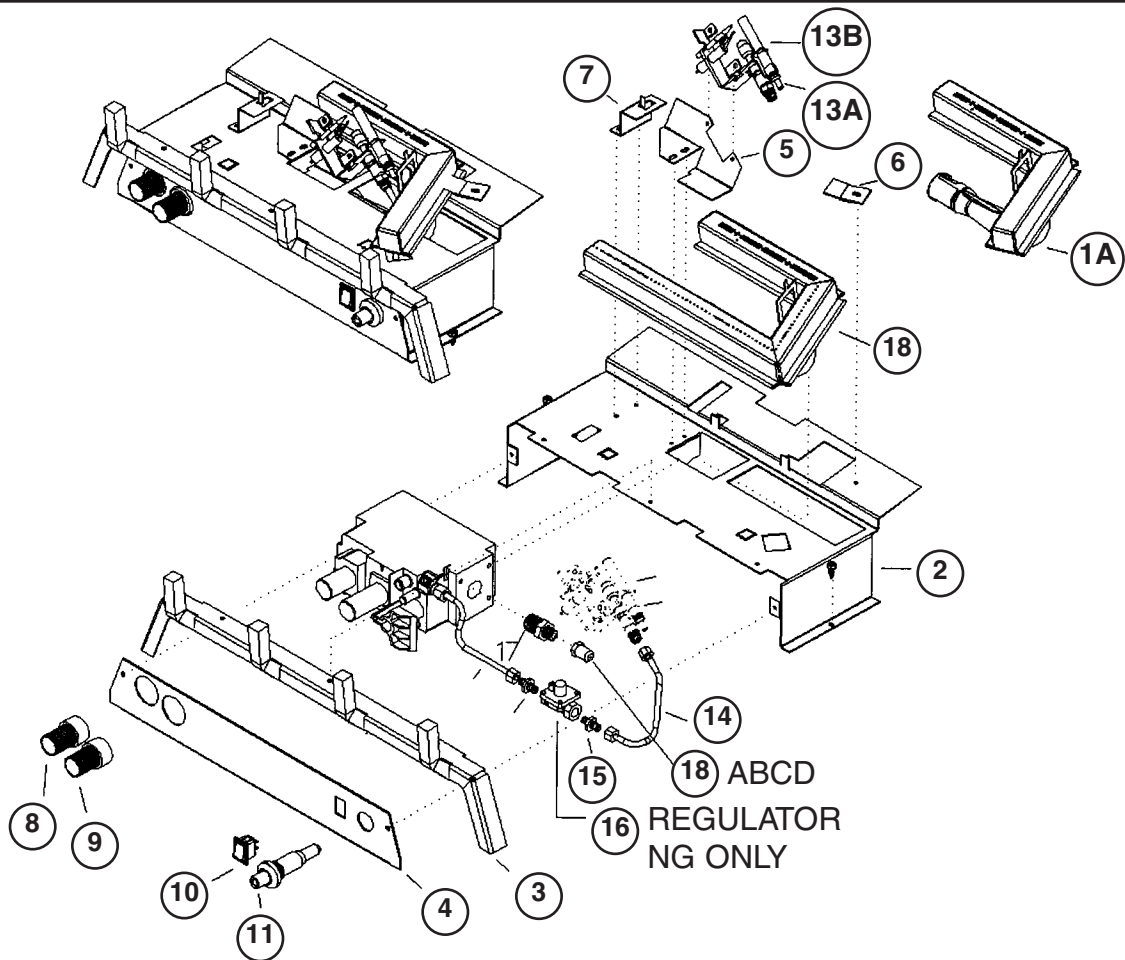
Possible Cause

1. Control knob not fully pressed in.
2. Control knob not pressed in long enough.
3. Manual shutoff valve not fully open.
4. Thermocouple connection loose at valve.

Remedy

1. Press control knob in fully.
2. After ODS/pilot lights, keep control knob pressed in for 30 seconds.
3. Fully open manual shutoff valve.
4. Hand tighten until snug, then tighten $\frac{1}{4}$ turn more.

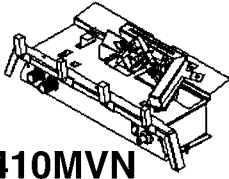
ILLUSTRATED BURNER PARTS LIST



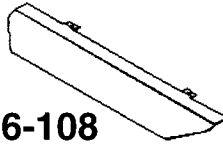
ZVFB2410MVN/ZVFB2410MVP/ZVFB2426MVN/ZVFB2426MVP

Ref No.	Part Number	Description
1A.	2410-Burner	10,000 BTU Burner c/w non-adjustable locking tab
1B.	2426-Burner	26,000 BTU Burner
2.	2426-116	Burner Pan
3.	2426-GRATE	Grate Assembly
4.	2426-117	Control Panel
5.	2426-126	Pilot Bracket
6.	4200-132	Burner Hold Down
7.	2426-104	Left Log Support
8.	350-P217SI	1 1/2 On/OFF Extension Knob
9.	350-P218SI	1 1/2 Hi/Low Extension Knob
10.	1000-216	On/Off Rocker Switch
11.	1000-214	Piezo Igniter
12A.	33VF-P637SI	Natural Gas Vent free Valve
12B.	33VF-P636SI	Propane Vent free Valve
13A.	33VF-P8214	Natural Gas ODS Pilot
13B.	33VF-P8404	Liquid Propane ODS Pilot
14.	33VF-P316VE	Alt Tubing 3/16"
15.	33VF-P683VE	Connector (Natural Gas Only)
16.	33VF-P245M	Regulator (Natural Gas Only)
17.	2426-P122CA	1/8 MIPT x 3/8 MIPT Reducing Coupler
18A.	1000-255 (No 42)	26,000 BTU Natural Gas Orifice
18B.	1000-255 (No 52)	26,000 BTU Propane Orifice
18C.	1000-255 (No 52)	10,000 BTU Natural Gas Orifice
18D.	1000-255 (No 65)	10,000 BTU Propane Orifice

**ZVFB2410MVN
ZVFB2410MVP**

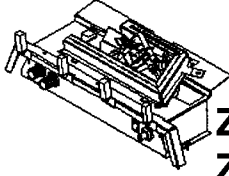
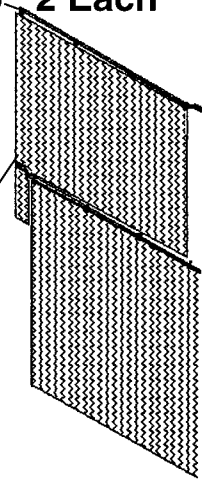


2426-108

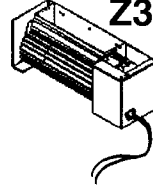


2426-125 2 Each

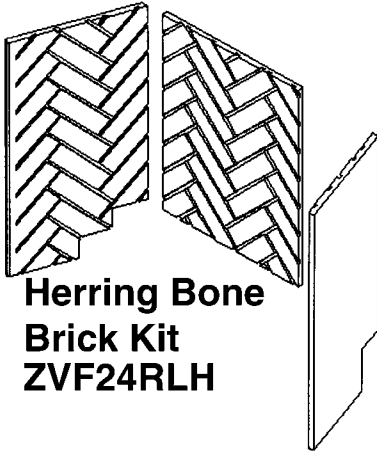
**2426-138
2 Each**



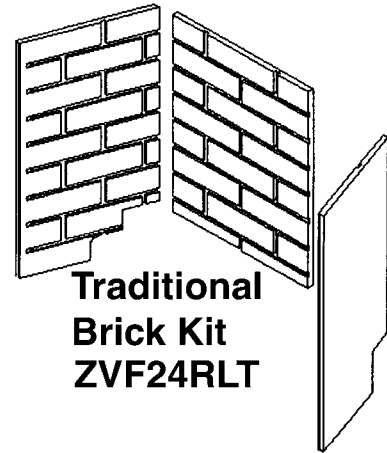
**ZVFB2426MVN
ZVFB2426MVP**



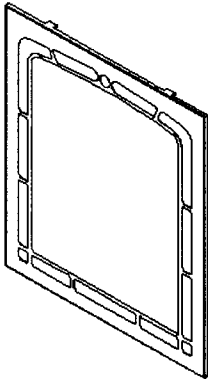
Z33FK



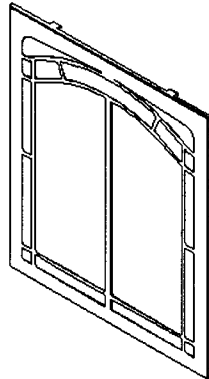
**Herring Bone
Brick Kit
ZVF24RLH**



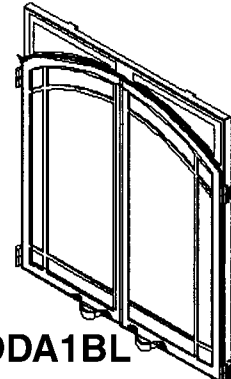
**Traditional
Brick Kit
ZVF24RLT**



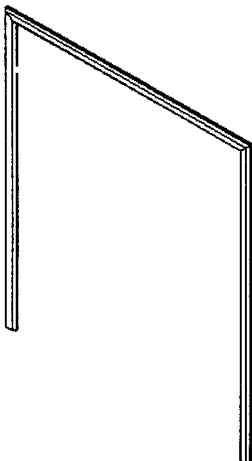
ZVF24ADDX



ZVF24ADDD

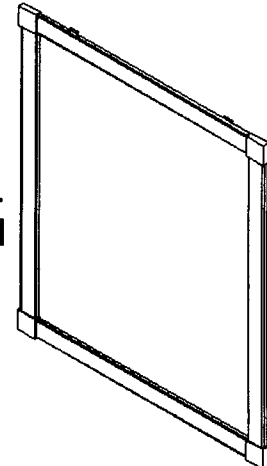


ZVF24DDA1BL



**ZVF24 Slim Line
3 Piece**

**ZVF24
Trim Surround**



PARTS LIST AND ACCESSORIES

PART NUMBERS DESCRIPTION

ZVF24 Zero Clearance 24" Vent Free Fireplace listed for USA complete with pull screens

BURNER SYSTEMS

ZVFB2410MVN Millivolt Valve 10,000 BTU/HR Natural Gas non-adjustable c/w lock
ZVFB2410MVP Millivolt Valve 10,000 BTU/HR Liquid Propane non-adjustable c/w lock
ZVFB2426MVN Millivolt Valve 25,250/17,500 BTU/HR Natural Gas
ZVFB2426MVP Millivolt Valve 24,250/19,500 BTU/HR Liquid Propane

LOG SETS (Required for each unit)
LOGF10 Fiber log Set

FIREPLACE ACCESSORIES OPTIONS

Door Overlays

ZVF24ADDX Arch Door Frame - Deluxe Black
ZVF24ADDD Arch Door Frame - Double Door Arch Black

Designer Doors for ZVF24 Series

ZVF24DDA1BL Designer Door Arch - Series 1 - Black
ZVF24DDTA1A Trim - Antique for Designer Arch - Series 1
ZVF24DDTA1C Trim - Chrome for Designer Arch - Series 1
ZVF24DDTA1P Trim - Polish for Designer Arch - Series 1

Designer Trim Surround Kits

ZVF24SDBL Surround Deluxe - Black - Coverage (29"H x 25 1/2" W)
ZVF24SDSV Surround Deluxe - Silver Vein - Coverage (29"H x 25 1/2" W)
ZVF24SDPW Surround Deluxe - Pewter - Coverage (29"H x 25 1/2" W)
ZVF24SDCV Surround Deluxe - Copper Vein - Coverage (29"H x 25 1/2" W)

ZVF24SLBL Surround Slim Line - Gun Metal Black - Coverage (28 1/2" H x 25" W)
ZVF24SLAB Surround Slim Line - Antique Brass - Coverage (28 1/2" H x 25" W)
ZVF24SLCR Surround Slim Line - Chrome - Coverage (28 1/2" H x 25" W)
ZVF24SLPB Surround Slim Line - Polish - Coverage (28 1/2" H x 25" W)

Refractory Liners

ZVF24RLT Refractory Brick Liner 3 pcs Traditional
ZVF24RLH Refractory Brick Liner 3 pcs Herringbone

Fan Kit

Z33FK - Fan Kit
2000-080 - Thermodisc

Thermostats and Remote Controls

Z80PT Thermostat Programmable Digital Millivolt Wall Mount
ZIRC Remote Control Millivolt (ON/OFF with LED)
ZART Remote Control Thermostat Millivolt
DCHS Remote Control Heatshield (for ZIRC, ZART)
RMCBN Remote Control - Basic - Natural Gas (ON/OFF, HI/LO Flame Adjustment, Millivolt Only) use 2426 Only
RMCBP Remote Control - Basic - Liquid Propane (ON/OFF, HI/LO Flame Adjustment, Millivolt Only) use 2426 Only
ZIMT Thermostat Millivolt Wall Mount

Valve Systems

33VF - P637SI - Natural Gas Vent Free Valve
33VF - P636SI - Liquid Propane Vent Free Valve
33VF - P8214 - ODS Natural Gas
33VF - P8404 - ODS Liquid Propane

Miscellaneous and Replacement Parts

2426-138 - Pull Screens - 2 Each
2426-125 - Pull Screen Rods - 2 Each
2726-108 - Deflector Hood



LIMITED LIFETIME WARRANTY

This Limited Lifetime Warranty applies only while the unit remains at the site of the original installation and only if the unit is installed inside the continental United States, Alaska, Hawaii, and Canada. The warranty applies only if the unit is installed and operated in accordance with the printed instructions and in compliance with applicable installation and building codes and good trade practices.

BASIC ONE YEAR WARRANTY

During the first year after installation, we will provide a replacement for any component part of your unit found to be defective in materials or workmanship, including labour costs. Repair work requires prior approval by Kingsman, labour costs are based on a predetermined rate schedule and any repair work must be done through an authorized Kingsman dealer.

LIMITED LIFETIME WARRANTY

The heat exchanger, combustion chamber and burner of every Kingsman product excluding the Outdoor Firepit are warranted against materials or workmanship during the period the product is owned by the original owner. The part to be replaced must be returned to our distributor in exchange for the replacement part. Any labor, material, freight and/or handling charges associated with any repair or replacement pursuant to this Limited Lifetime Warranty will not be covered by this warranty.

GENERAL TERMS

In lieu of providing a replacement part, we may, at our option, provide the distributor's component purchase price from us or a credit equal to the distributors component purchase price from us toward the purchase of any new unit which we distribute. If a credit is given in lieu of a replacement part, the rating plate from the unit being replaced must be submitted on a warranty claim, and the unit being replaced must be made available to our distributor for disposition.

In establishing the date of installation for any purpose, including determination of the starting date for the term of this Limited Lifetime Warranty, reasonable proof of the original installation date must be presented*, otherwise the effective date will be based upon the date of manufacture plus thirty (30) days.

We will not be responsible for and you, the user, will pay for: (a) damages caused by accident, abuse, negligence, misuse, riot, fire, flood, or Acts of God (b) damages caused by operating the unit where there is a corrosive atmosphere containing chlorine, fluorine, or any other damaging chemicals (other than in a normal residential environment) (c) damages caused by any unauthorized alteration or repair of the unit affecting its stability or performance (d) damages caused by improper matching or application of the unit or the unit's components (e) damages caused by failing to provide proper maintenance and service to the unit (f) any expenses incurred for erecting, disconnecting or dismantling the unit (g) parts or supplies used in connection with service or maintenance (h) damage repairs, inoperation or inefficiency resulting from faulty installation or application (i) electricity or fuel costs or any increase in electricity or fuel cost whatsoever including additional or unusual use of supplemental electric heat.

We shall not be liable for any incidental, consequential, or special damages or expenses in connection with any use or failure of this unit. We have not made and do not make any representation or warranty of fitness for a particular use or purpose, and there is no implied condition of fitness for a particular use or purpose. We make no express warranties except as stated in this Limited Lifetime Warranty. No one is authorized to change this Limited Lifetime Warranty or to create for us any other obligation or liability in connections with this unit. Any implied warranties shall last for one year after the original installation. Some states and provinces do not allow the exclusion or limitation of incidental or consequential damages or do not allow limitations on how long an implied warranty or condition lasts, so the above limitations or exclusions may not apply to you. The provisions of this limited warranty are in additions to and not a modification of or subtraction from any statutory warranties and other rights and remedies provided by law.

Save this certificate. It gives you specific legal rights, and you may also have other rights which may vary from state to state and province to province.

In the event your unit needs servicing, contact your dealer or contractor who installed or serviced your unit. When requesting service, please have the model and serial number from each unit readily available. If your dealer needs assistance, the distributor is available for support and we, in turn support the distributor's efforts.

Fill in the installation date and model and serial numbers of the unit in the space provided below and retain this limited warranty for your files.

Model No. _____ **Serial No.** _____ **Date installed** _____

Dealer or Contractor Name: _____

*To receive advantage of your warranty, you must retain the original records that can establish the installation date of your unit.