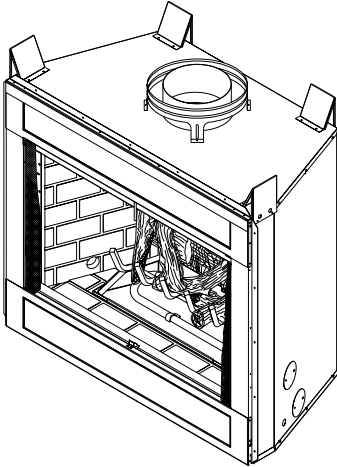




FMI PRODUCTS, LLC

**B-VENT DECORATIVE GAS FIREPLACE
OWNER'S OPERATION AND INSTALLATION MANUAL**



**NATURAL GAS MODELS
M36(B,H), M42(B,H), VM36(B,H)
AND VM42(B,H)**

**PROPANE/LP GAS MODELS
M36P(B,H), M42P(B,H),
VM36P(B,H) AND VM42P(B,H)**

⚠ WARNING: If the information in these instructions is not followed exactly, a fire or explosion may result causing property damage, personal injury or death.

FOR YOUR SAFETY

- Do not store or use gasoline or any other flammable vapors or liquids in the vicinity of this or any other appliance.
- **WHAT TO DO IF YOU SMELL GAS :**
 - Do not try to light any appliance.
 - Do not touch any electrical switch;
 - Do not use any phone in your building.
 - Immediately call your gas supplier from a neighbor's phone. Follow the gas supplier's instructions.
 - If you cannot reach your gas supplier, call the fire department.
- Installation and service must be performed by a qualified installer, service agency or the gas supplier.

INSTALLER: Leave this manual with the appliance.
CONSUMER: Retain this manual for future reference.

For more information, visit www.fmiproducts.com

⚠ WARNING: Improper installation, adjustment, alteration, service or maintenance can cause injury or property damage. Refer to this manual for correct installation and operational procedures. For assistance or additional information consult a qualified installer, service agency or the gas supplier.

**NOT FOR USE WITH SOLID FUEL
CHECK LOCAL CODES PRIOR TO INSTALLATION**

SAVE THIS BOOK

This book is valuable. In addition to instructing you on how to install and maintain your appliance, it also contains information that will enable you to obtain replacement parts or optional accessory items when needed. Keep it with your other important papers.

This appliance may be installed in an aftermarket*, permanently located, manufactured (mobile) home, where not prohibited by state or local codes.

This appliance is only for use with the type of gas indicated on the rating plate.

This appliance is not convertible for use with other gases, unless a certified kit is used.


*Aftermarket: Completion of sale, not for purpose of resale, from the manufacturer.

State of Massachusetts: The installation must be made by a licensed plumber or gas fitter in the Commonwealth of Massachusetts.

TABLE OF CONTENTS

Safety	3	Cleaning and Maintenance.....	21
Unpacking.....	4	Wiring Diagram.....	22
Introduction.....	4	Replacement Parts.....	22
Selecting Location.....	5	Service Hints.....	22
Product Specifications.....	6	Technical Service.....	22
Pre-Installation Preparation.....	7	Troubleshooting.....	23
Venting Installation.....	9	Parts.....	26
Installation.....	11	Accessories.....	31
Operation.....	19	Warranty.....	Back Cover
Inspecting Burners.....	20		

SAFETY

 **WARNING: This product contains and/or generates chemicals known to the State of California to cause cancer or birth defects or other reproductive harm.**

IMPORTANT: Read this owner's manual carefully and completely before trying to assemble, operate or service this fireplace. Improper use of this fireplace can cause serious injury or death from burns, fire, explosions, electrical shock and carbon monoxide poisoning.


 **DANGER: Carbon monoxide poisoning may lead to death!**

This fireplace is a vented product. This fireplace will not produce any gas leakage into your home if properly installed. This fireplace must be properly installed by a qualified service person. If this unit is not properly installed by a qualified service person, gas leakage can occur.

Carbon Monoxide Poisoning: Early signs of carbon monoxide poisoning resemble the flu, with headaches, dizziness or nausea. If you have these signs, the fireplace may not have been installed properly. **Get fresh air at once!** Have fireplace inspected and serviced by a qualified service person. Some people are more affected by carbon monoxide than others. These include pregnant women, people with heart or lung disease or anemia, those under the influence of alcohol and those at high altitudes.

Propane/LP gas and natural gas are both odorless. An odor-making agent is added to each of these gases. The odor helps you detect a gas leak. However, the odor added to these gases can fade. Gas may be present even though no odor exists.

Make certain you read and understand all warnings. Keep this manual for reference. It is your guide to safe and proper operation of this fireplace.

 **WARNING: Any change to this fireplace or its controls can be dangerous.**

1. This appliance is only for use with the type of gas indicated on the rating plate. This appliance is not convertible for use with other gases unless a certified kit is used.
2. For propane/LP fireplace, do not place propane/LP supply tank(s) inside any structure. Locate propane/LP supply tank(s) outdoors. To prevent performance problems, do not use propane/LP fuel tank of less than 100 lbs. capacity.
3. If you smell gas
 - shut off gas supply
 - do not try to light any appliance
 - do not touch any electrical switch; do not use any phone in your building
 - immediately call your gas supplier from a neighbor's phone. Follow the gas supplier's instructions
 - if you cannot reach you gas supplier, call the fire department.
4. Never install the fireplace
 - in a recreational vehicle
 - where curtains, furniture, clothing or other flammable objects are less than 42" from front, top or sides of fireplace
 - in high traffic areas
 - in windy or drafty areas
5. This fireplace reaches high temperatures. Keep children and adults away from hot surfaces to avoid burns or clothing ignition. Fireplace will remain hot for a time after shutdown. Allow surfaces to cool before touching.
6. Carefully supervise young children when they are in the room with fireplace.
7. A hearth extension is not required with this appliance. If one is installed, it is for aesthetic purposes only and does not have to meet the standard requirements.
8. Turn fireplace off and let cool before servicing or repairing. Only a qualified service person should install, service or repair this fireplace. Have fireplace inspected annually by a qualified service person.
9. You must keep control compartments, burners and circulating air passages clean. More frequent cleaning may be needed due to excessive lint and dust from carpeting, bedding material, etc. Turn off the gas valve and pilot light before cleaning fireplace.
10. Have venting system inspected annually by a qualified service person. If needed, have venting system cleaned or repaired. See Cleaning and Maintenance, page 21.

SAFETY

Continued

11. Keep the area around your fireplace clear of combustible materials, gasoline and other flammable vapor and liquids. Do not run fireplace where these are used or stored. Do not place items such as clothing or decorations on or around fireplace.
12. Do not use this fireplace to cook food or burn paper or other objects.
13. Do not use any solid fuels (wood, coal, paper, cardboard, etc.) in this fireplace. Use only the gas type indicated on fireplace nameplate.
14. This appliance, when installed, must be electrically grounded in accordance with local codes or, in the absence of local codes, with the *National Electrical Code*, *ANSI/NFPA 70* or the *Canadian Electrical Code*, *CSA C22.1*.
15. Do not obstruct the flow of combustion and ventilation air in any way. Provide adequate clearances around air openings into the combustion chamber along with adequate accessibility clearance for servicing and proper operation.
16. Do not install fireplace directly on carpeting, vinyl tile or any combustible material other than wood. The fireplace must set on a metal or wood panel extending the full width and depth of the fireplace.
17. Do not use fireplace if any part has been exposed to or under water. Immediately call a qualified service person to arrange for replacement of the unit.
18. Do not operate fireplace if any log is broken.
19. Do not use a blower insert, heat exchanger insert or other accessory not approved for use with this fireplace.
20. Provide adequate clearances around air openings.

UNPACKING

The following items are packed inside the firebox. Remove before positioning firebox into framing.

- Transition Collar - For vent connection
- Ceramic Log Pack - Shrink-wrapped on cardboard
- Three (3) plastic bags containing lava rock, pan and ember materials

- Rear Log - Remove the two plastic quick ties from around the burner and grate
 - Grate Stand - Lift off of burner pan
- Check all items for any shipping damage. If damaged, promptly inform dealer or distributor where you bought the product. Safely retain these items for later installation.

INTRODUCTION

Models M36(P)(B,H), VM36(P)(B,H), M42(P)(B,H) and VM42(P)(B,H) are vented gas fireplaces that use a millivolt gas control valve with a millivolt ignition system. A 6" B-Type venting system and a listed type vent cap are not supplied but are required for proper operation. See venting instructions on pages 9 and 10.



WARNING: This gas appliance must not be connected to a chimney flue servicing a solid fuel burning appliance.

BEFORE YOU BEGIN

Before beginning the installation of your appliance, read these instructions through completely.

This FMI PRODUCTS, LLC appliance and its approved components are safe when installed according to this installation manual and are operated as recommended by FMI PRODUCTS, LLC. Unless you use FMI PRODUCTS, LLC approved components tested for this appliance, **YOU MAY CAUSE A FIRE HAZARD!**

The FMI PRODUCTS, LLC warranty will be voided by and FMI PRODUCTS, LLC disclaims any responsibility for the following actions :

- A) Modification of the appliance or any of the components.
- B) Use of any component part not approved by FMI PRODUCTS, LLC in combination with this appliance.
- C) Installation and/or operation in a manner other than instructed in this manual.
- D) Burning of anything other than the type of gas approved for use in this gas appliance.

INTRODUCTION

Continued

The installation must conform with local codes or, in the absence of local codes, with the current *National Fuel Gas Code, ANSI Z223.1/NFPA 54*. This appliance complies with *ANSI Z21.50/CSA 2.22*.

⚠ WARNING: Installation of this appliance should be done by a qualified service person well trained in the installation of such appliances. You will also need a building permit from your local Building and Safety Commissioner before installing this appliance; otherwise your insurance co. may not cover this appliance.

NOTICE: This appliance is not intended to be used as a primary source of heat.

⚠ CAUTION: Do not connect appliance before pressure testing gas piping. Damage to gas valve may result and an unsafe condition may be caused.

The appliance and its individual shutoff valve must be disconnected from gas supply piping system during any pressure testing of that system at test pressures in excess of 1/2 psig (3.5 kPa).

The appliance must be isolated from the gas supply piping system by closing its individual manual shutoff valve during any pressure testing of the gas supply piping system at test pressures equal to or less than 1/2 psig (3.5 kPa).

For the purpose of input adjustment two pressure taps (for IN and OUT pressures) are provided on the gas control valve for test gauge connections to the appliance.

SELECTING LOCATION

To determine the safest and most efficient location for your appliance, you must take into consideration the following guidelines:

1. The location must allow for proper clearances (see *Clearances*, page 7).
2. Consider a location where heat output would not be affected by drafts, air conditioning ducts, windows or doors.
3. A location that avoids the cutting of joists or roof rafters will make installation easier. Figure 1 shows a plan view of a few common locations.

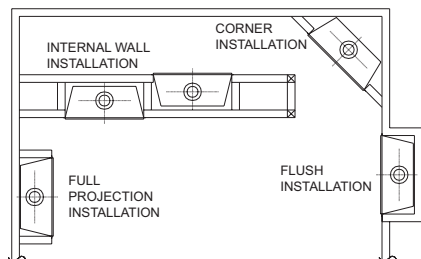


Figure 1 - Possible Locations for Installing Appliance

Flush installations are recommended where living space is limited or at a premium and since the space required to enclose the appliance would be located beyond an outside wall, this would also reduce the cutting of joists, roof rafters and such. Check local codes for any restrictions.

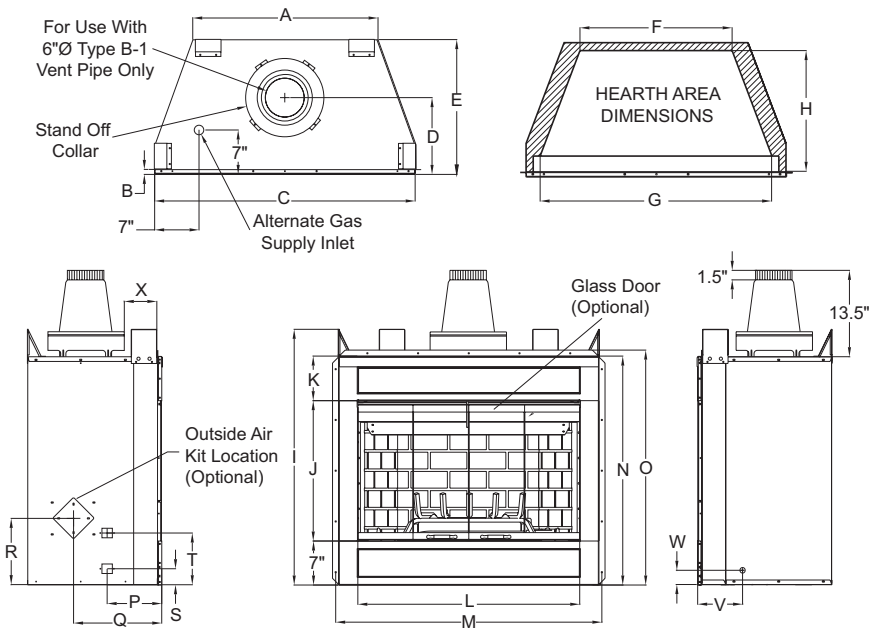
Projected installations can extend any distance into the room. A projection may be ideal for a new addition on an existing, finished wall.

Corner installations make use of space that may not normally be used and provides a wider and more efficient range for radiant heat transference.

Internal wall installations provide a discreet option for room separation and can also be ideal as an addition to an existing wall.

PRODUCT SPECIFICATIONS

GAS RATING - NATURAL		
	M36(B,H), VM36(B,H)	M42(B,H), VM42(B,H)
Max. Input Rating:	40,000 Btu/Hr	45,000 Btu/Hr
Manifold Pressure:	3.5" WC (.87 kPa)	3.5" WC (.87 kPa)
Minimum Supply Pressure:	4.5" WC (1.12 kPa)	4.5" WC (1.12 kPa)
Maximum Supply Pressure:	10.5" WC (2.66 kPa)	10.5" WC (2.66 kPa)
Orifice Size:	# 30	# 29
GAS RATING - PROPANE/LP		
	M36P(B,H), VM36P(B,H)	M42P(B,H), VM42P(B,H)
Max. Input Rating:	40,000 Btu/Hr	45,000 Btu/Hr
Manifold Pressure:	10" WC (2.49 kPa)	10" WC (2.49 kPa)
Minimum Supply Pressure:	11" WC (2.74 kPa)	11" WC (2.74 kPa)
Maximum Supply Pressure:	13" WC (3.23 kPa)	13" WC (3.23 kPa)
Orifice Size:	# 52	# 51



Model 36		Model 42		Model 36	Model 42	Model 36	Model 42
A	29"	36"	I	40 1/4"	44 1/4"	Q	13 7/8" 14"
B	5/8"	5/8"	J	21"	24"	R	10 1/2" 12 1/2"
C	41"	48"	K	8"	9"	S	2 1/2" 2 1/2"
D	12"	14"	L	34 3/4"	42"	T	8 1/8" 8 1/8"
E	21 1/4"	23"	M	42"	49"	U	11" 12 3/4"
F	22 1/4" (24" w/o Brick)	29 1/4" (31" w/o Brick)	N	36"	40"	V	7" 7"
G	32 5/8" (34" w/o Brick)	39 1/2" (41 1/4" w/o Brick)	O	37"	41"	W	2 1/4" 2 1/4"
H	15 3/4" (16 3/4" w/o Brick)	17 3/4" (18 3/4" w/o Brick)	P	8 5/8"	10 1/2"	X	5" 4 1/2"

Figure 2 - Appliance Dimensions

PRE-INSTALLATION PREPARATION

CLEARANCES

Minimum clearances to combustibles are:
 Back and Sides of Outer Surround 0" min.
 Drywall to Sides of Front Face
 (Nailing Flanges) 0" min.
 "B" Vent Surfaces 1" min.
 Ceiling to Opening 42" min.
 Floor 0" min.
 Perpendicular Wall See Figure 6

CAUTION: Do not block required air spaces with insulation or any other material. Do not obstruct effective opening of appliance with any type of facing material.

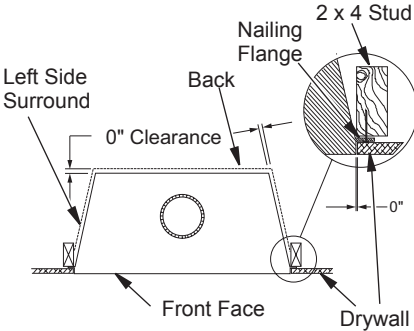


Figure 3 - Minimum Clearances (Top View)

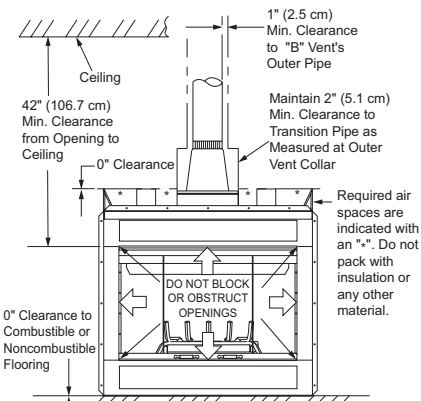
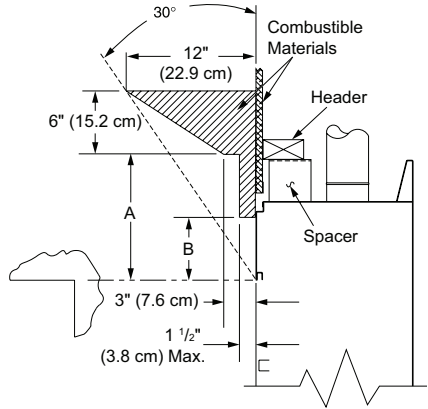


Figure 4 - Minimum Clearances (Front View)

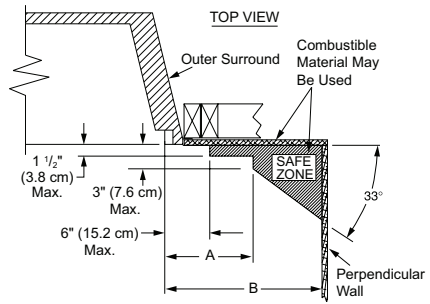
MANTEL CLEARANCES AND WALL DETAILS

A combustible mantel shelf maybe installed a maximum 12" (22.9 cm) from the wall. Figures 5 and 6 show the minimum allowable distances from various combustible mantel components in relation to fireplace opening.



	M36(B,H), M36P(B,H), VM36(B,H), VM36P(B,H)	M42(B,H), M42P(B,H), VM42(B,H), VM42P(B,H)
A	14" (35.6 cm)	15" (38 cm)
B	8" (20.3 cm)	9" (22.9 cm)

Figure 5 - Mantel Clearances - Side View (Cross Section)



	M36(B,H), M36P(B,H), VM36(B,H), VM36P(B,H)	M42(B,H), M42P(B,H), VM42(B,H), VM42P(B,H)
A	9" (22.9 cm)	6" (15.2 cm)
B	12" (30.5 cm)	9" (22.9 cm)

Figure 6 - Side Clearances - Top View (Cross Section)

PRE-INSTALLATION PREPARATION

Continued

FRAMING

1. Frame appliance enclosure as illustrated in Figures 7 and 8.

Note: If a wall covering is used to line the enclosure, then all measurements must be from the surface of the covering.

2. Place the appliance into the framing and secure it.

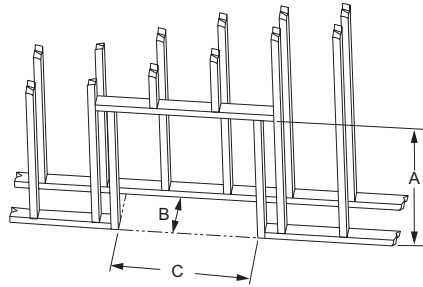
Note: If appliance is to be raised above floor level, a platform must be built to support the appliance.

3. Install the supply line to the appliance using a 1/2" NPT black iron gas line terminating 2 5/16" above the bottom of the appliance. The gas line must be installed through the lower left side access point or alternate access hole in the bottom of the appliance (see Figure 19, page 13).

4. Repack insulation around the gas line to cover any remaining openings in the conduit sleeve. Prepare the incoming gas line with teflon tape or pipe joint compound and hook-up incoming gas line to the flexible gas line.

Note: If 1/2" NPT black iron pipe does not mate with fitting at the end of flexible gas line, remove fitting and replace with a 37° flare 3/4"-12, 1/2" NPT (female) fitting.

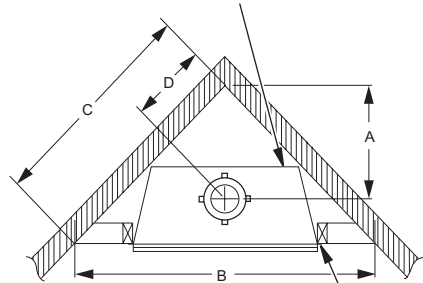
⚠ WARNING: When finishing appliance, do not overlap combustible material onto the black front face. Brick, tile or other noncombustible materials may be applied to the face provided that any gap is between the material used and the face is caulked with a noncombustible caulking.



	M36(B,H), M36P(B,H), VM36(B,H), VM36P(B,H)	M42(B,H), M42P(B,H), VM42(B,H), VM42P(B,H)
A	40 3/8" (102 cm)	44 3/8" (112 cm)
B	21 3/8" (54.3 cm)	23 1/8" (58.7 cm)
C	41 1/4" (104.8 cm)	48 1/4" (122.6 cm)

Figure 7 - Rough Opening for Installing in Wall

These Dimensions Allow for a 3/4" Clearance at Sides and Back of Fireplace. However, 0" Clearance is Permitted.



3/4" Clearance Not Required at Nailing Flanges

	M36(B,H), M36P(B,H), VM36(B,H), VM36P(B,H)	M42(B,H), M42P(B,H), VM42(B,H), VM42P(B,H)
A	24 1/2" (62.2 cm)	27 9/16" (70 cm)
B	73 7/8" (187.6 cm)	83 7/8" (213 cm)
C	52 3/16" (132.6 cm)	59 5/16" (150.6 cm)
D	17 1/4" (43.8 cm)	19 1/2" (49.5 cm)

Figure 8 - Corner Installation Guidelines

PRE-INSTALLATION PREPARATION

Continued

INSTALLING TRANSITION PIPE AND STARTER COLLAR

The transition pipe and starter collar shown in Figure 9 are supplied with the fireplace, unattached and ready for installation. Remove starter collar and set aside. Slide transition pipe over vent collar and attach with a minimum of three screws. Replace starter collar over transition pipe and attach using four screws located on leg stands (five used on model M42). To install B-vent piping, slide the first piece of B-vent over transition pipe and attach with either a minimum of two screws or other means approved by the vent manufacturer.

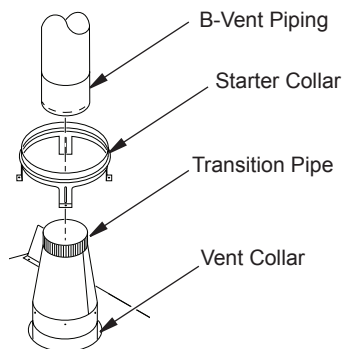


Figure 9 - Installing Transition Pipe and Starter Collar

VENTING INSTALLATION

A B-type venting system must be connected to the appliance for venting to the outside of the building.

The following section is provided as a guide to a standard B-type vent installation.

Standing codes requirements concerning B-type vent installations may vary within your state, province or local codes jurisdiction. Therefore, it is recommended that you check with your local building codes for specific requirements or in absence of local codes, follow Section 7.0 of the current *National Fuel Gas Code ANSI Z223.1/NFPA 54*.

This gas appliance must be vented to the outdoors only and may not be terminated into an attic space or into a chimney flue servicing a solid fuel burning appliance.

This appliance may be vented through a manufactured chimney system or a masonry chimney using a B-vent adapter or a chimney liner system if all are listed, inspected and approved by local codes and/or building authorities.

The examples shown in Figure 10, page 10 are typical of most B-vent installations and codes practices.

Example 1: Shows the minimum allowable system height and lateral offset for a 60° or greater inclination. Code specifies that offsets at 60° or greater are considered horizontal and must follow the 75% rule for lateral to total vertical system height. Codes also allow only one offset in the total system when at

60° or greater. The total vertical height in this example represents the minimum height of 8 feet and therefore the allowable lateral is 6 feet when the 75% rule applies. If the lateral length must exceed 75% then the system must be sized in accordance with Category I venting tables.

Example 2: Shows a multiple offset each at 45° of inclination. Multiple offsets are permitted if they do not exceed 45° of inclination. The total lengths of the two offsets are not required to meet the 75% allowable rule.

Example 3: Shows a single offset at 45° of inclination and therefore the lateral length at 10 feet of offset does not have to meet the 75% rule.

In each case the offsets must be supported and firestops must be positioned wherever the vent must pass through a sub-floor, ceiling joist or an attic overhang. The vent pipe must terminate vertically into a listed type vent cap and extend a sufficient height through an approved roof flashing, roof jack or a roof thimble. At all points listed clearances must be maintained.

Vent terminations must be located in accordance with height and proximity rules of NFPA No. 54. These rules apply to vents at 12" diameter or less and require a minimum height in accordance with the roof pitch and a minimum of 8 ft. distance from a vertical wall or obstruction (see Figure 11, page 10).

VENTING INSTALLATION

Continued

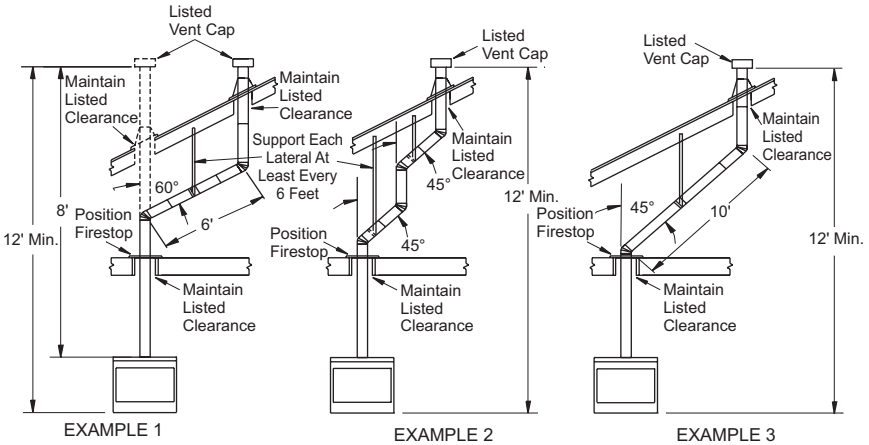


Figure 10 - Typical B-Vent Configuration

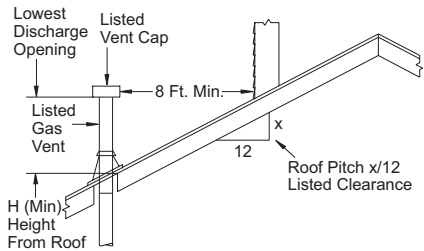
Some codes areas allow the use of existing B-type vent systems if the system is at or above the recommended diameter of the flue, in this case 6".

The flue connection must be made using listed B-type connectors and the existing system must be code inspected for damage and proper installation.

It is not recommended that this appliance be common vented with an existing gas burning appliance.

Note: Before connecting this appliance to an existing vent system consult with your local architect, planner or building official.

⚠ WARNING: This appliance must be properly connected to a system and must not be connected to a chimney flue servicing a separate solid fuel burning appliance.



Roof Pitch	H (Min.)	
	Feet	Meter
Flat to 6/12	1.0	ax 0.30
6/12 to 7/12	1.25	0.38
Over 7/12 to 8/12	1.5	0.46
Over 8/12 to 9/12	2.0	0.61
Over 9/12 to 10/12	2.5	0.76
Over 10/12 to 11/12	3.25	0.99
Over 11/12 to 12/12	4.0	1.22
Over 12/12 to 14/12	5.0	1.52
Over 14/12 to 16/12	6.0	1.83
Over 16/12 to 18/12	7.0	2.13
Over 18/12 to 20/12	7.5	2.27
Over 20/12 to 21/12	8.0	2.44

Figure 11 - B-Vent Terminations

VENTING INSTALLATION

Continued

CHECKING FOR PROPER VENTING

After completing and checking electrical, gas and vent connections, follow the lighting instructions and allow main burner to run for approximately 5 minutes. Hold a lighted match or cigarette near the top edge of fireplace opening and play it along entire length of opening (see Figure 12). Proper venting should tend to draw the flame or smoke into the appliance. Improper venting or escaping of spillage of burned gas, is indicated when the match flickers or goes out. Smoke from a cigarette will also tend to disperse away from the appliance.

If appliance is found to be improperly venting, shut it off and notify your installer or a qualified service agency to inspect the venting system.

NOTICE: This appliance is equipped with a vent safety shutoff switch which will shut down the appliance in the case of a venting problem. Do not bypass the vent safety switch. If the appliance should shut down, contact a qualified installer, service agency or your gas supplier to have the vent inspected before operating.

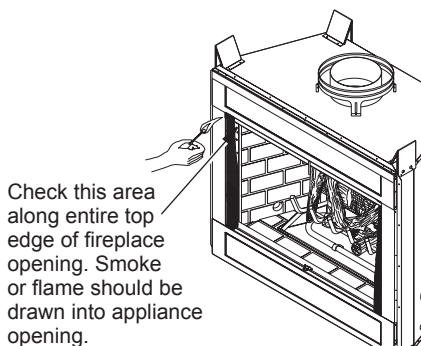


Figure 12 - Checking for Spillage

INSTALLATION

WALL SWITCH INSTALLATION

The installation of a wall switch allows you to activate the gas control valve without normal household electricity since valve operates on millivolt current supplied by heat generated by the thermopile. To install wall switch:

1. Remove front refractory access panel by lifting up and angling out of firebox opening (see Figure 13).
2. Use wire and connectors provided. Attach red wire to terminal marked TH/TP on control valve. Attach white wire to blade connector on open end of safety circuit wiring (see *Wiring Diagram*, page 22).

Note: If any of the original wire from unit control must be replaced, use the same type or a higher rated wire (25 ft. maximum length).

3. Locate wall switch in a convenient location.
4. After wire connections are complete, replace refractory access panel.

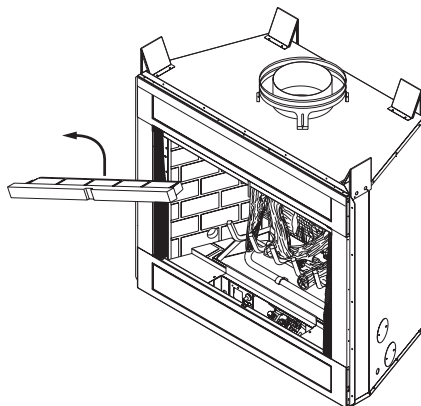


Figure 13 - Removing Front Refractory Access Panel

⚠ WARNING: Do not wire remote wall switch to main power supply (Standard 120v household current).

INSTALLATION

Continued

OPTIONAL WIRELESS HAND-HELD REMOTE CONTROL INSTALLATION

Note: If using optional wireless hand-held remote control, the wall switch is no longer operational.

Installing Receiver

1. Remove front refractory access panel by lifting up and angling out of firebox opening (see Figure 13, page 11) to expose controls.
2. Disconnect wall switch wires from TH and TH/TP terminals on control valve (see Figure 14).
3. Install remote receiver unit onto mounting bracket using two plastic mounting clips (see Figure 15).

4. Connect wires to control circuit. Connect white wire to terminal marked TH/TP on control valve. Connect red wire to male blade connector provided at open end of safety circuit wiring (see Wiring Diagram, page 22).
5. Locate battery clip mounted on back of receiver (see Figure 16).
6. Slide 9-volt battery (not included) through clip. *Note: Only use alkaline battery.*
7. Attach terminal wires to battery (see Figure 16).
8. Replace refractory brick access panel.

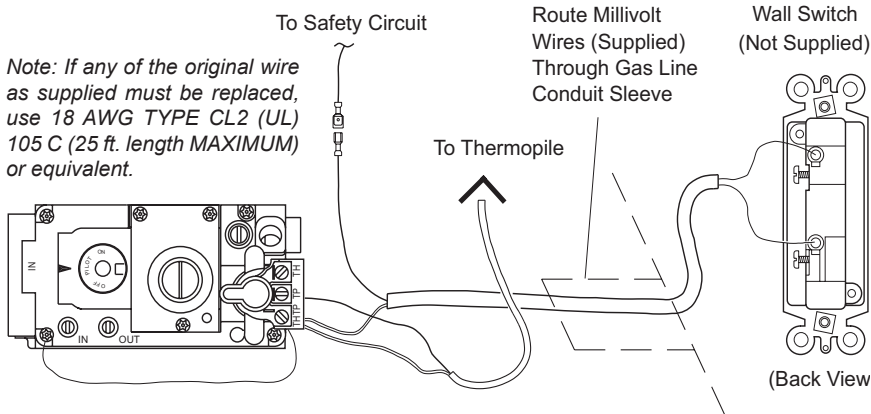


Figure 14 - Wall Switch Wiring Diagram

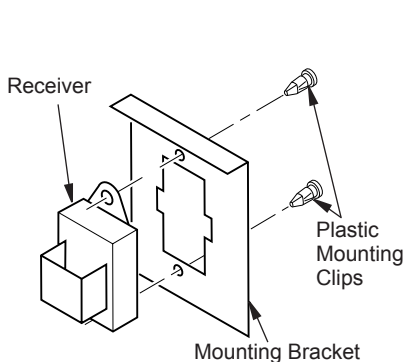


Figure 15 - Installing Remote Receiver (Shown from Rear of Mounting Bracket)

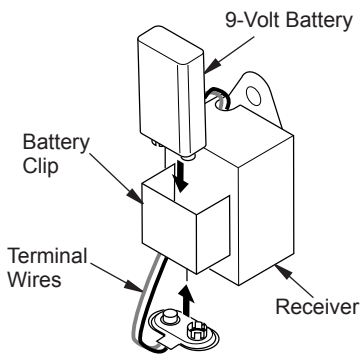


Figure 16 - Installing Battery in Receiver

INSTALLATION

Continued

Installing 9-Volt Battery in Hand-Held Remote Control Unit

1. Remove battery cover on back of remote control unit.
2. Attach terminal wires to battery (not included). Place battery into battery housing. *Note: Only use alkaline battery.*
3. Replace battery cover onto remote control unit.

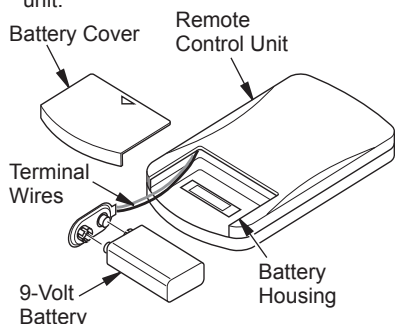


Figure 17 - Installing Battery in Hand-Held Remote Control Unit

GAS LINE HOOK-UP

WARNING: Gas line hookup should be done by your gas supplier or a qualified service person.

WARNING: Before you proceed, make sure your gas supply is OFF.

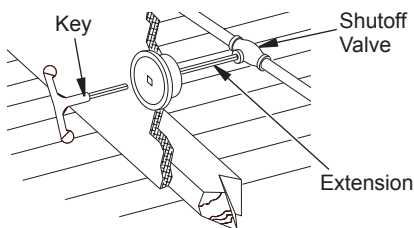
A manual shutoff valve has been included in the appliance's gas supply system. You may consider installing an extra gas shutoff valve outside appliance's enclosure (check with local codes) where it can be accessed more conveniently with a key through a wall as shown in Figure 18.

In conformance with local codes, route a 1/2" NPT gas line to appliance through hole in left side of firebox or sub-floor as shown in Figure 19.

CAUTION: Do not kink flexible gas line.

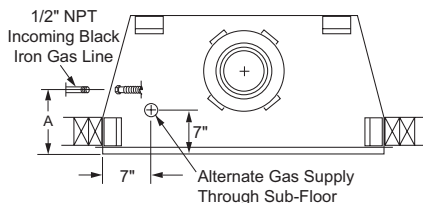
FMI PRODUCTS, LLC recommends that a black iron gas line be routed from the gas source, through a sediment trap (see Figure 20) and into appliance. Once connected through appliance, a flexible gas line may be used for ease of installation to gas control valve (see Figure 21, page 14).

Before connecting black iron gas line to inside of appliance a sediment trap must be included outside appliance between gas line and gas shutoff valve. It must extend down 3" beyond center of pipe. Prepare incoming black iron gas line with teflon tape or pipe joint compound (Check with local building codes).



Typical Exterior Wall Gas Shutoff Installation

Figure 18 - Manual Shutoff Valve Installation



	M36(B,H), M36P(B,H) VM36(B,H), VM36P(B,H)	M42(B,H), M42P(B,H), VM42(B,H), VM42P(B,H)
A	8 5/8" (21.9 cm)	10 1/2" (26.7 cm)

Figure 19 - Routing Incoming Gas Line

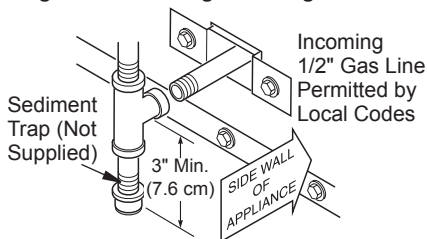


Figure 20 - Sediment Trap

INSTALLATION

Continued

⚠ CAUTION: Compounds used on threaded joints of gas piping shall be resistant to the action of Liquefied Petroleum (LP or propane) and should be applied lightly to ensure excess sealant does not enter the gas line.

⚠ WARNING: All gas piping and connections must be tested for leaks after the installation is completed.

After ensuring that the gas valve is on, apply a commercial leak detection solution to all connections and joints. If bubbles appear, leaks can be detected and corrected.

Do not use an open flame for leak testing and do not operate any appliance if a leak is detected.

Complete your gas installation by connecting incoming gas line with flexible gas line. Secure tightly with wrench but **DO NOT OVERTIGHTEN**.

EMBER AND PAN MATERIAL PLACEMENT

1. Open bag(s) of vermiculite and fill entire burner pan until burner tube is completely covered (see Figure 22).
2. Smooth pan material just even with edges of burner pan.
3. Remove ember material from bag and flatten small amounts into quarter size pieces and lay on top of surface of pan material (see Figure 23).
4. Place just enough to cover entire surface and leave about a 1/2" gap under lower grate members to allow air to flow (see Figure 24, page 15).

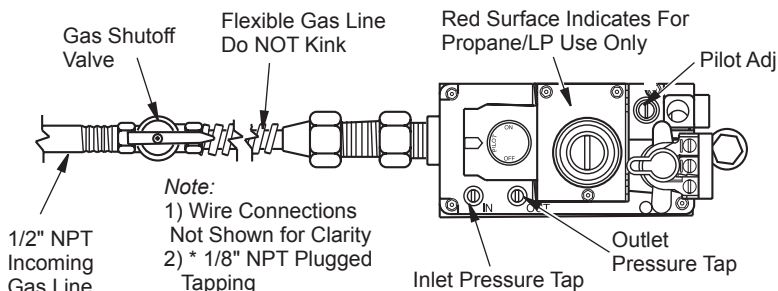


Figure 21 - Connecting Flexible Gas Line to Millivolt Valve

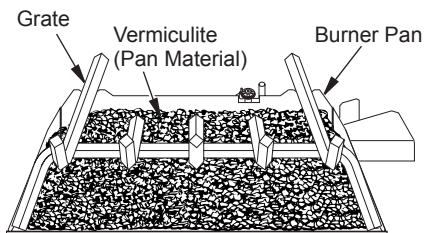


Figure 22 - Fill Entire Burner Pan with Vermiculite

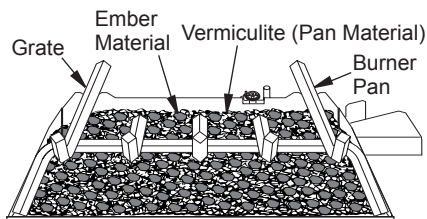


Figure 23 - Ember Material on Surface of Pan Material (Vermiculite)

INSTALLATION

Continued

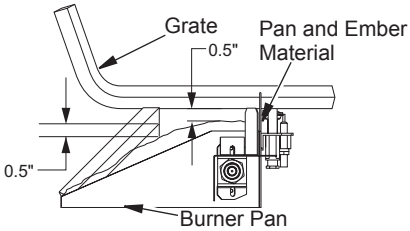


Figure 24 - Pan and Ember Material Clearances

LOG PLACEMENT FOR M36, M36P, VM36 AND VM36P MODELS

1. Place small front right log (log 1) on right front of grate as shown in Figure 25.
2. Place large back log (log 2) onto grate making sure notches rest over grate as shown in Figure 25.
3. Place log 3 into notch on log 2, resting front end on top of log 1 (see Figure 26).
4. Place upper end of log 4 into notch on log 2 as shown in Figure 26. Rest lower end of log 4 onto middle grate finger as shown in Figure 27.
5. Place upper end of log 5 into notch on left of log 2 (see Figure 27). Rest lower end of log 5 on grate as shown in Figure 28.
6. Insert lower end of log 6 between first two grate fingers as shown in Figure 28 and position upper end of log 6 into notched area on front of log 2 as shown in Figure 28.

As an option to enhance the look of the hearth, you may place the lava rock provided around front and sides of burner.

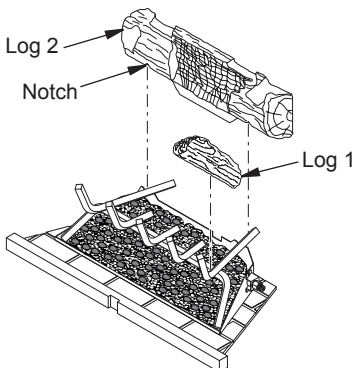


Figure 25 - Installing Logs 1 and 2

NOTICE: Do not put lava rock inside burner pan or around the air mixer fitting. Placing lava rock inside burner pan or blocking openings of the propane/LP air-mixer could cause performance problems.

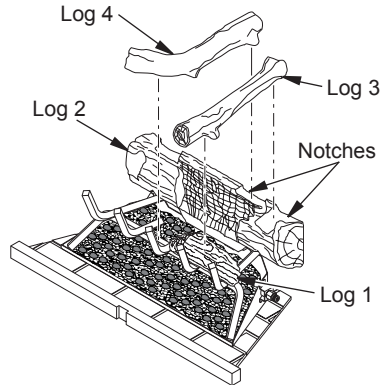


Figure 26 - Installing Logs 3 and 4

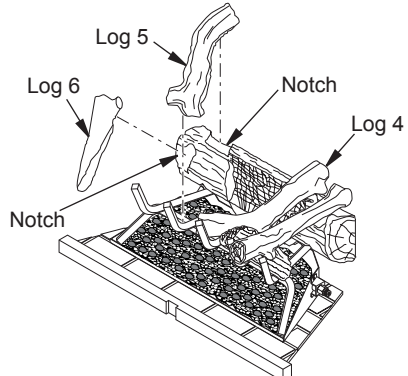


Figure 27 - Installing Logs 5 and 6

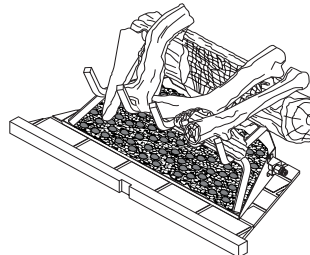


Figure 28 - Logs Installed for M36, M36P, VM36 and VM36P Models

INSTALLATION

Continued

LOG PLACEMENT FOR M42, M42P, VM42 AND VM42P MODELS

1. Place large back log (log 1) onto grate making sure notches rest over grate (see Figure 29).
2. Insert lower end of log 2A between first two grate fingers and position upper end into notch on front of log 1. See Figure 29. Place log 2B on front right side of grate as shown in Figure 29.
3. Place log 3 into notch on top left of log 1, resting lower end on left two grate fingers (see Figure 30).
4. Place upper end of log 4 into notch on log 1 as shown in Figure 30. Rest lower end of log 4 on middle grate finger as shown in Figure 31.

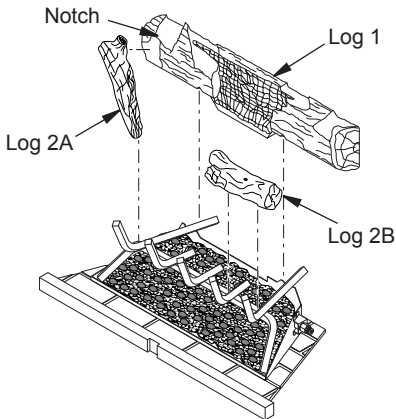


Figure 29 - Installing Logs 1, 2A and 2B

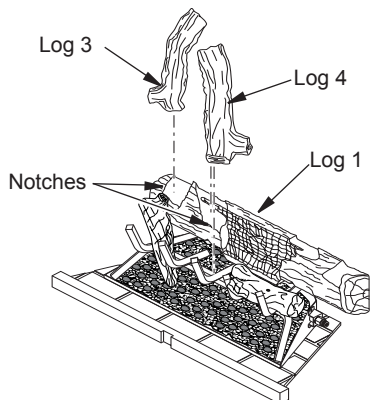


Figure 30 - Installing Logs 3 and 4

5. Place upper end of log 5 into notch on top inner right of log 1 (see Figure 31). Rest lower end of log 5 on middle grate finger as shown in Figure 32.
6. Place log 6 into notch on top right of log 1 (see Figure 31). Rest lower end of log 6 on top of log 2B (see Figure 32).

As an option to enhance the look of the hearth, you may place the lava rock provided around front and sides of burner pan.

NOTICE: Do not put lava rock inside the burner pan or around the air mixer fitting. Placing lava rock inside the burner pan or blocking the openings of the propane/LP air-mixer could cause performance problems.

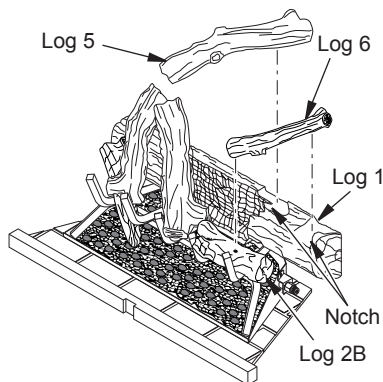


Figure 31 - Installing Logs 5 and 6

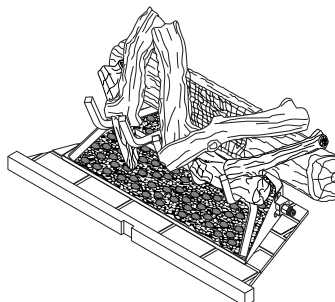


Figure 32 - Logs Installed for M42, M42P, VM42 and VM42P Models

INSTALLATION

Continued

COMBUSTION AIR KIT MODEL AK4 (OPTIONAL)

The outside air kit may be installed on the left side of fireplace only. The vent can be installed through any outside wall a minimum of three feet below fireplace termination cap. The handle to operate damper door for outside air inlet will be located inside the left "screen pocket" of firebox (see Figure 33). Pull handle to open or push to close.

CAUTION: Air inlet ducts are not to terminate in attic space.

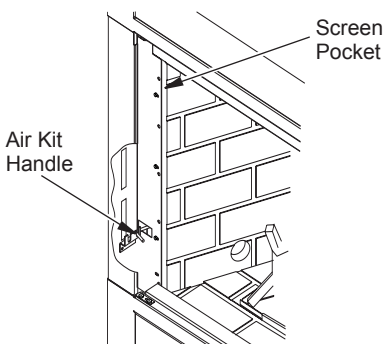


Figure 33 - Air Kit Handle Location

APPLIANCE ENCLOSURE

Before finishing enclosure around appliance, inspect all joints around outer surround. Any gaps between nailing flanges and framing should be sealed with noncombustible insulation or caulking.

If appliance is mounted on a raised platform, it must be a continuous surface and not on blocks without a solid surface. This will prevent the entry of cold air by means of conduction through the total bottom of appliance (see Figure 34).

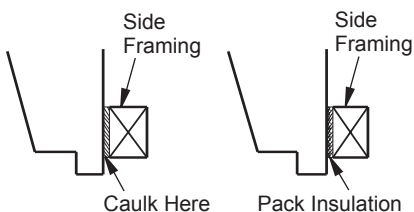


Figure 34 - Sealing Between Appliance and Framing

INSTALLING OPTIONAL GLASS DOOR ACCESSORY

CAUTION: Use only glass doors certified for use with this appliance.

Note: Glass door may be heavy for some individuals. Please request help if needed.

The M36, VM36, M42 and VM42 B-vent fireplaces are approved for use with optional bi-fold glass doors (see *Accessories*, page 31). Glass panels may be ordered and installed anytime after fireplace installation is complete.

Follow these steps to install left and right panels:

1. With handle at the bottom, completely fold panel on its hinges.
2. With handle facing center of firebox opening, insert lower pivot pin on glass door panel into hole in pivot plate on bottom edge of fireplace opening (see Figure 35).
3. Keeping folded door tilted, slide upper two pins into guide track found under upper facial edge of firebox opening.
4. Tilt glass assembly fully vertical until outer pivot pin snaps into mounting hole in upper spring clip (see Figure 35).
5. Once top and bottom pins are secured, unfold door into the closed position.

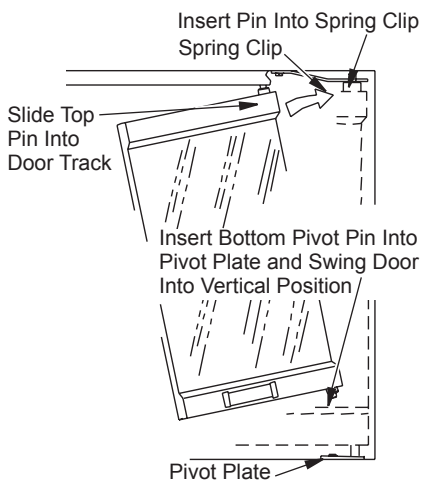


Figure 35 - Installing Optional Glass Door

INSTALLATION

Continued

6. Repeat the process for the opposite door assembly.
7. To adjust doors, slide them partially open. Using a screwdriver, loosen hold-down screws in the spring clip (see Figure 36) and pivot plate.
8. Close both doors until evenly joined at the middle and note the gap at outer edges of face.
9. Reopen one door at a time and retighten upper and lower hold-down screws.
10. Repeat process until both doors are evenly joined, spaced and working freely.

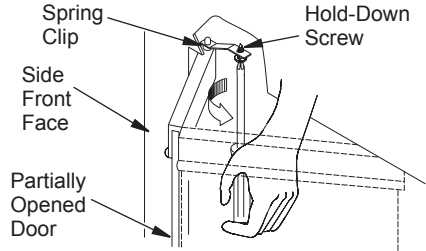


Figure 36 - Adjusting Glass Doors

⚠ CAUTION: The glass panels become very hot while the appliance is operating. Do not attempt to adjust or clean the glass doors until the appliance has fully cooled.

The doors may be removed for replacement or cleaning as follows:

1. Partially open door and press up on upper spring clip with a screw driver until outer top pivot pin is free of clip.
2. Fully fold frame assembly and slide upper edge towards center of firebox opening until guide pins are free of frame rail (see Figure 37).

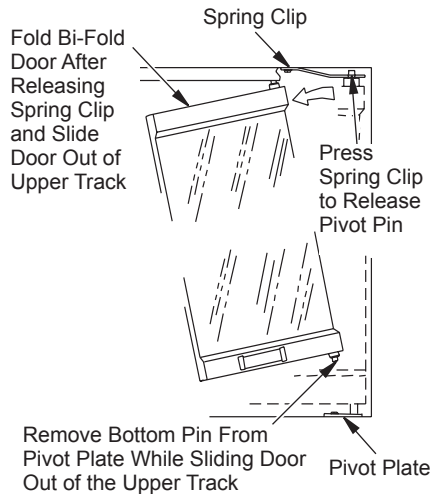


Figure 37 - Removing Glass Doors

⚠ CAUTION: Always operate the appliance with the doors either fully opened or fully closed. Operating the appliance with the doors partially open can result in improper venting of flue products.

OPENING VENT DAMPER

Vent damper must be locked in the full open position before operating fireplace. If vent damper is not open, fireplace will not light.

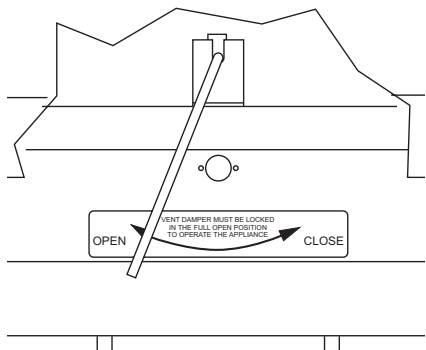


Figure 38 - Opening Vent Damper

OPERATION

FOR YOUR SAFETY READ BEFORE LIGHTING

WARNING: If you do not follow these instructions exactly, a fire or explosion may result causing property damage, personal injury or loss of life.

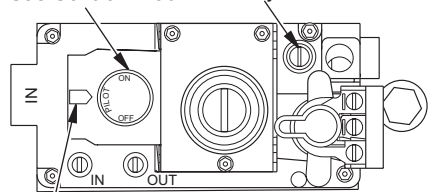
- A. This appliance has a pilot which must be lighted by hand. When lighting the pilot, follow these instructions exactly.
- B. **BEFORE LIGHTING** smell all around the appliance area for gas. Be sure to smell next to the floor because some gas is heavier than air and will settle on the floor.
- WHAT TO DO IF YOU SMELL GAS**
- Do not try to light any appliance.
 - Do not touch any electric switch; do not use any phone in your building.
 - Immediately call your gas supplier from a neighbor's phone. Follow the gas supplier's instructions.
 - If you cannot reach your gas supplier, call the fire department.
- C. Use only your hand to push in or turn the gas control knob. Never use tools. If the knob will not push in or turn by hand, don't try to repair it, call a qualified service technician or gas supplier. Force or attempted repair may result in a fire or explosion.
- D. Do not use this appliance if any part has been under water. Immediately call a qualified service technician to inspect the appliance and to replace any part of the control system and any gas control which has been under water.

LIGHTING INSTRUCTIONS

NOTICE: During initial operation of new heater, burning logs will give off a paper-burning smell. Orange flame will also be present. Open damper or window to vent smell. This will only last a few hours.

1. STOP! Read the safety information, column 1.
2. Turn wall switch to the OFF position.
3. Turn off all electric power to appliance.
4. Fully open glass doors if installed.
5. Remove front refractory brick access panel.
6. Turn gas control knob clockwise to the OFF position (see Figure 39).
7. Wait five (5) minutes to clear out any gas. Then smell for gas, including near the floor. If you smell gas, STOP! Follow "B" in the safety information, column 1. If you don't smell gas, go to the next step.
8. Turn control knob counterclockwise to the PILOT position.
9. Push in knob all the way and hold in. Immediately light the pilot manually. Continue to hold control knob in for about one minute after pilot is lit. Release knob and it will pop back up. Pilot should remain lit. If it goes out, repeat steps 5 through 9.
 - If knob does not pop up when released, stop and immediately call your service technician or gas supplier.
 - If the pilot will not stay lit after several tries, turn the gas control knob to OFF and call your service technician or gas supplier.
10. Turn gas control knob counterclockwise to "O". Knob can be turned to ON only if the control knob is popped out.
11. Replace front refractory brick access panel.
12. Fully close glass doors if installed.
13. Turn on all electric power to appliance.

Gas Control Knob Pilot Adjustment Screw




Position Indicator

Figure 39 - Control Knob in the PILOT position

OPERATION

Continued

TO TURN OFF GAS TO APPLIANCE

1. Turn off wall switch.
2. Turn off all electric power to appliance if service is to be performed.
3. Fully open glass doors if installed.
4. Remove front hearth brick and control access panel.
5. Turn gas control knob clockwise  to OFF. Do not force.
6. Replace front refractory brick access panel.
7. Fully close glass doors if installed.

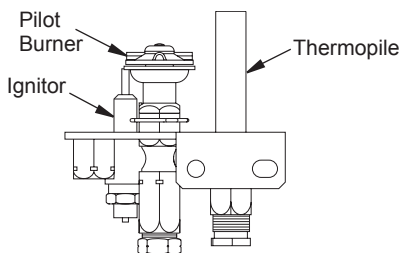


Figure 40 - Pilot

OPTIONAL HAND-HELD REMOTE OPERATION

Note: The receiver and hand-held remote control kit must be purchased separately (see [Accessories](#), page 31). Follow installation instructions on page 10 of this manual.

1. After lighting, let pilot flame burn for about one minute. Turn control knob to the ON position. Slide the selector switch to the REMOTE position.

Note: Burner may light if hand-held remote was on when selector switch was last turned off. You can now turn burner on and off with the hand-held remote control unit.

IMPORTANT: Do not leave selector switch in the REMOTE or ON position when pilot is not lit. This will drain the battery.

2. Press control button on hand-held remote to turn burner on. Press control button again to turn burner off (see Figure 41).
3. **To Lock** press both buttons on remote control until light stops flashing. Remote is now locked. If the fire is on it will be turned off automatically. In the locked state, the light will not light up when any button is pressed.
4. **To Unlock** press both buttons together on remote control until light stops flashing. The remote is now unlocked.

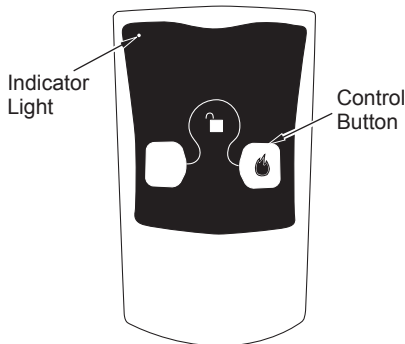


Figure 41 - On/Off Hand-Held Remote Control Unit HRC100

INSPECTING BURNERS

Check pilot flame pattern and burner flame patterns often.

PILOT ASSEMBLY

The pilot assembly is factory preset for the proper flame height. Alterations may have occurred during shipping and handling. The pilot is located on the back right hand side of the burner.

The height of the thermopile must be 3/8" to 1/2" above the pilot flame. The flame from the pilot burner must extend beyond the thermopile.

If your pilot assembly does not meet these requirements:

- Turn adjustment screw marked pilot clockwise to decrease or counterclockwise to increase the flame to proper size (see Figure 39, page 19). Do not remove adjustment screw.
- see [Troubleshooting](#), page 23

INSPECTING BURNERS

Continued

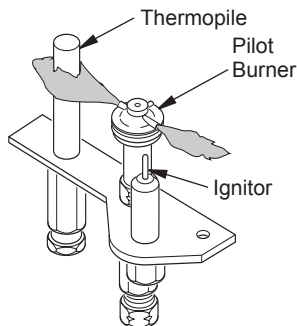


Figure 42 - Correct Pilot Flame Pattern

BURNER FLAME PATTERN

Burner flames will be steady, not lifting or floating. Flames should go up through the middle of logset. Flames should not "spill" to edges of pan or sides of logset.

Figure 43 shows a typical flame pattern. If burner flame pattern differs from that described:

- turn appliance off (see [To Turn Off Gas to Appliance](#), page 20)
- see [Troubleshooting](#), page 23

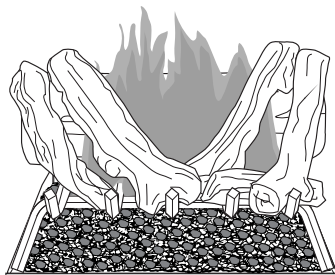


Figure 43 - Typical Flame Pattern

CLEANING AND MAINTENANCE

⚠ WARNING: Installation and repair should be done by a qualified service person. The appliance should be inspected before each use and at least annually by a qualified service person. More frequent cleaning may be required due to excessive lint from carpeting, bedding material, pet hair, etc. It is imperative that the control compartments, burners and circulating air system be kept clean.

⚠ WARNING: The logs can be hot. Handle only when cool.

⚠ WARNING: Turn off gas and electrical power before servicing appliance.

⚠ WARNING: Failure to keep the primary air opening(s) of the burner(s) clean may result in sooting and property damage.

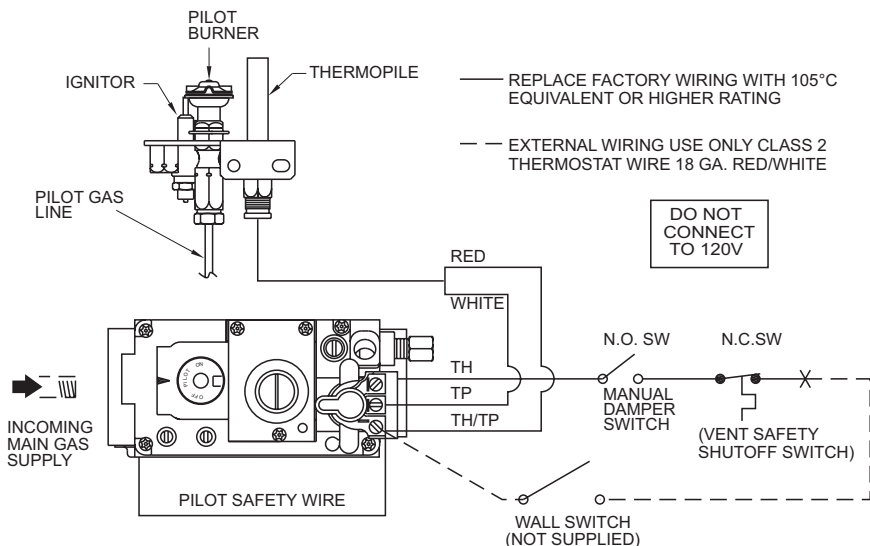
PILOT AND BURNER

- Remove logs and ember material before cleaning burner and replace when cleaning is complete.
- Burner and controls should be cleaned with compressed air to remove dust, dirt or lint.
- Use a vacuum cleaner or small, soft bristled brush to remove excess dust, dirt or lint.

LOGS

- If you remove logs for cleaning, refer to log placement information on page 12 to properly replace logs.
- Use a vacuum cleaner to remove any carbon buildup on logs.
- Replace log(s) if broken. See [Replacement Parts](#), page 22.
- Replace ember material periodically as needed. See [Replacement Parts](#), page 22.

WIRING DIAGRAM



REPLACEMENT PARTS

Note: Use only original replacement parts. This will protect your warranty coverage for parts replaced under warranty.

PARTS UNDER WARRANTY

Contact authorized dealers of this product. If they can't supply original replacement part(s), call FMI PRODUCTS, LLC at 1-866-328-4537.

SERVICE HINTS

When Gas Pressure Is Too Low

- pilot will not stay lit
- burner will have delayed ignition
- fireplace will not produce specified heat
- propane/LP gas supply may be low if using propane/LP gas

If using propane/LP gas, you may feel your gas pressure is too low. If so, contact your local propane/LP gas supplier.

When calling, have ready:

- your name
- your address
- model and serial numbers of your heater
- how heater was malfunctioning
- purchase date

Usually, we will ask you to return the part to the factory.

TECHNICAL SERVICE

You may have further questions about installation, operation, or troubleshooting. If so, contact FMI PRODUCTS, LLC at 1-866-328-4537. When calling please have your model and serial numbers of your heater ready.

You can also visit our web site at www.fmiproducts.com.

TROUBLESHOOTING

Note: Before troubleshooting the system, make sure the gas shutoff valve is ON. The two most common causes of a malfunctioning gas appliance are:

1. *Loose wiring connections*
2. *Construction debris clogging pilot and/or gas control valve filter*

OBSERVED PROBLEM	POSSIBLE CAUSE	REMEDY
Pilot will not light	<ol style="list-style-type: none"> 1. No gas supply or shutoff valve is OFF 2. Air in gas line 3. Construction debris clogging pilot orifice 4. Low gas pressure 5. Control valve knob is not on the PILOT position 6. Kinked pilot line 7. Bad valve 8. Vent damper not fully open 	<ol style="list-style-type: none"> 1. Check to see if you have gas supply 2. Hold regulator control valve in the PILOT position for 2 to 3 minutes to purge air. If you smell gas stop and wait for a few minutes before trying to light fireplace 3. Remove debris and dirt, inspect and clean any other possible obstructions 4. Contact your gas supplier 5. Refer to section on pilot lighting 6. Have a qualified technician replace pilot line 7. Replace regulator valve (see <i>Accessories</i>, page 31) 8. Open vent damper until fully locked in OPEN position
Pilot will not stay lit	<ol style="list-style-type: none"> 1. Loose wiring on thermopile to regulator valve. No millivolt current is being sent back to regulator 2. If valve knob and wall switch are in the ON position, probable defective regulator valve 3. Vent damper not fully open 	<ol style="list-style-type: none"> 1. Check wiring connections. Refer to wiring diagram shown in <i>Wall Switch Installation</i>, page 11 2. Have a qualified technician replace valve 3. Open vent damper until fully locked in OPEN position
No gas to burner, although wall switch and valve are set to the ON position	<ol style="list-style-type: none"> 1. Wall switch wires defective or too long 2. Thermopile not generating sufficient voltage 	<ol style="list-style-type: none"> 1. Check electrical connections 2. See <i>Pilot will not stay lit</i>, above
Frequent pilot outage	<ol style="list-style-type: none"> 1. Pilot flame may be too low, causing safety pilot to “drop out” 2. Improper venting or excessive blockage 	<ol style="list-style-type: none"> 1. Clean and adjust pilot flame for maximum flame impingement on thermopile 2. Have vent system inspected, including termination cap. Remove any restriction or obstruction

TROUBLESHOOTING

Continued

OBSERVED PROBLEM	POSSIBLE CAUSE	REMEDY
Pilot goes out when wall switch is ON	1. Millivolt output on thermopile too high	1. Replace thermopile
Spark ignitor will not light pilot after repeated triggering of red button	1. Defective ignitor (no spark at electrode) 2. Defective pilot or misaligned electrode at pilot (spark at electrode) 3. No gas or low gas pressure 4. If using propane/LP gas, no propane/LP gas in tank	1. Check for spark at electrode and pilot. If no spark and electrode wire is properly connected, replace ignitor 2. Using a match, light pilot. If pilot lights, turn off pilot and trigger the red button again. If pilot lights, an improper gas/air mixture caused the improper lighting and a longer purge period is recommended. If pilot will not light, check gap at electrode and pilot. Gap should be 1/8" to have a strong spark. If okay, replace pilot 3. A) Check remote shut off valves from fireplace. Usually there is a valve near the fireplace and sometimes there is a valve near the main. There can be more than one valve between fireplace and main B) Low pressure can be caused by a variety of situations such as bent line, or gas supplier 4. Check propane/LP supply and contact local propane/LP supplier
Fireplace produces a clicking/ticking noise just after burner is lit or shut off	1. Metal expanding while heating or contracting while cooling	1. This is normal with most fireplaces. If noise is excessive, contact qualified service person

TROUBLESHOOTING

Continued



WARNING: If you smell gas

- **Shut off gas supply.**
- **Do not try to light any appliance.**
- **Do not touch any electrical switch; do not use any phone in your building.**
- **Immediately call your gas supplier from a neighbor's phone. Follow the gas supplier's instructions.**
- **If you cannot reach your gas supplier, call the fire department.**

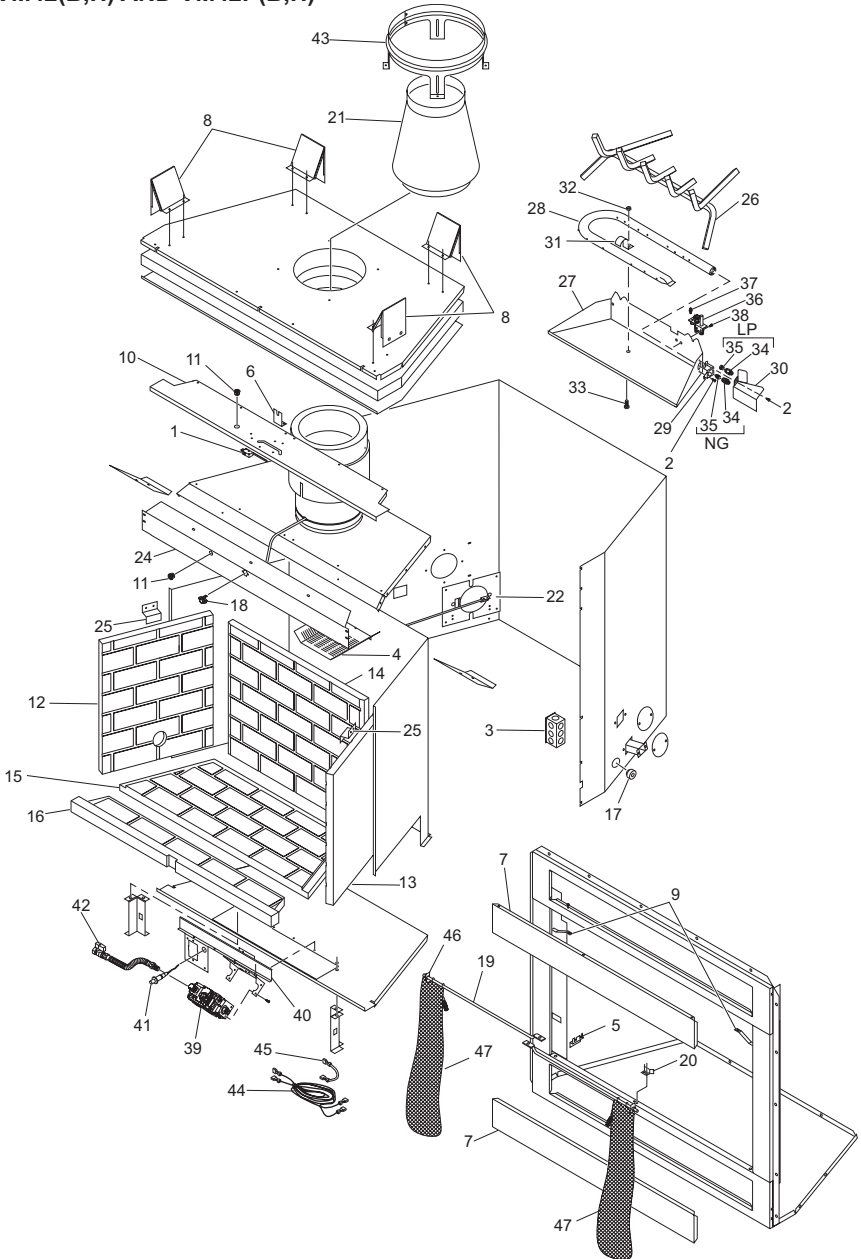
IMPORTANT: Operating fireplace where impurities in air exist may create odors. Cleaning supplies, paint, paint remover, cigarette smoke, cements and glues, new carpet or textiles, etc., create fumes. These fumes may mix with combustion air and create odors.

OBSERVED PROBLEM	POSSIBLE CAUSE	REMEDY
Fireplace produces unwanted odors	<ol style="list-style-type: none"> 1. Fireplace burning vapors from paint, hair spray, glues, etc. (See <i>IMPORTANT</i> statement above) 2. For propane/LP gas, low fuel supply 3. Gas leak. See Warning statement at top of page 	<ol style="list-style-type: none"> 1. Ventilate room. Stop using odor causing products while fireplace is running 2. Contact local propane/LP supplier 3. Locate and correct all leaks (see <u><i>Gas Line Hook-Up</i></u>, page 13)
Gas odor even when control knob is in OFF position	<ol style="list-style-type: none"> 1. Gas leak. See Warning statement at top of page 2. Control valve defective 	<ol style="list-style-type: none"> 1. Locate and correct all leaks (see <u><i>Gas Line Hook-Up</i></u>, page 13) 2. Replace control valve
Gas odor during combustion	<ol style="list-style-type: none"> 1. Foreign matter between control valve and burner 2. Gas leak. See Warning statement at top of page 	<ol style="list-style-type: none"> 1. Take apart gas tubing and remove foreign matter 2. Locate and correct all leaks (see <u><i>Gas Line Hook-Up</i></u>, page 13)
Dark residue on logs or inside of fireplace	<ol style="list-style-type: none"> 1. Improper log placement 2. Air holes at burner inlet blocked 3. Burner flame holes blocked 4. Improper venting or excessive blockage 5. Excessive amounts of embers and pan material 	<ol style="list-style-type: none"> 1. Properly locate logs 2. Clean out air holes at burner inlets. Periodically repeat as needed 3. Remove blockage or replace burner 4. Have vent system inspected, including termination cap. Remove any restrictions or obstruction 5. Clear excess embers until a minimum gap of 1/2" remains under the grate

PARTS

MODELS

M36(B,H), M36P(B,H), M42(B,H), M42P(B,H), VM36(B,H), VM36P(B,H),
VM42(B,H) AND VM42P(B,H)



PARTS

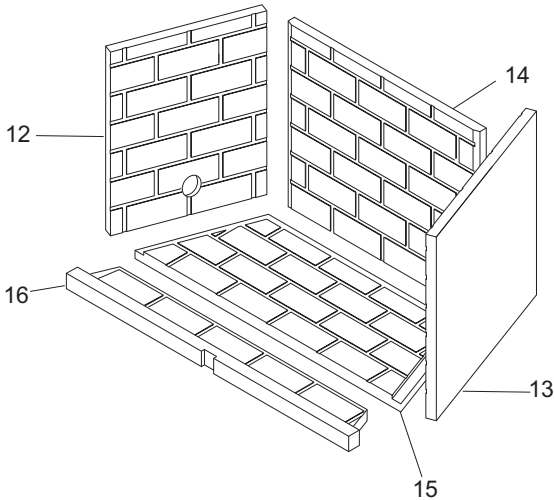
This list contains replaceable parts used in your heater. When ordering parts, follow the instructions listed under Replacement Parts on page 22 of this manual.

KEY NO.	M36(B,H)	M42(B,H)	DESCRIPTION	QTY
1	14153	14153	Micro Switch	1
2	11165	11165	Screw, #10 x 5/8 Mod. Tr. Blk. Ox	2
3	24353	24353	Box Assembly	1
4	22912	22924	Draft Diverter	1
5	106642-01	106642-01	Air Rod Retainer	1
6	106643-01	106643-01	Damper Rod Retainer	1
7	106651-01	107805-01	Panel Closure	2
8	20280	20280	Top Spacer	4
9	20090	20090	Spring Clip	2
10	106657-02	107811-02	Air Separator	1
11	11408	11408	Bushing	2
12	See page 28		Left Refractory	1
13	See page 28		Right Refractory	1
14	See page 28		Rear Refractory	1
15	See page 28		Bottom Rear Refractory	1
16	See page 28		Bottom Front Refractory	1
17	14123	14123	Strain Relief	1
18	14574	106543-01	Limit Switch	1
19	106691-01	107839-01	Screen Rod	2
20	20088	20088	Door Stop	1
21	106699-01	106699-01	Transition 6" B-Vent Collar	1
22	106703-01	106703-01	Air Kit Door Assembly	1
23	20042	20042	Air Kit Cover	1
24	106948-02	107823-02	Smoke Deflector	1
25	20027	20027	Brick Liner Retainer	2
26	107796-01	107796-02	Grate Assembly	1
27	107742-01	107742-02	Burner Pan	1
28	107795-01	107831-01	Burner Tube	1
29	107748-01	107748-01	Burner Bracket	1
30	107985-01	107985-02	Pilot Shield	1
31	901681-01	901681-01	Burner Clamp	1
32	11209	11209	Nut, #10-24	1
33	11147	11147	Screw, #10- 24 x 1/2	1
34	901066-01	901066-01	Brass Air Mixer (NG)	1
	901066-02	901066-02	Brass Air Mixer (LP)	1
35	901064-03	901064-08	Orifice (NG)	1
	901065-13	901065-08	Orifice (LP)	1
36	108084-01	108084-01	Pilot (NG)	1
	108084-06	108084-06	Pilot (LP)	1
37	108085-01	108085-01	Pilot Orifice (NG)	1
	108085-02	108085-02	Pilot Orifice (LP)	1
38	11102	11102	Screw, #8- 32 x 3/8	2
39	14512	14512	Gas Control Valve (NG)	1
	14513	14513	Gas Control Valve (LP)	1
40	107741-01	107741-01	Valve Bracket	1
41	14261	14261	Piezo Ignitor	1
42	111288-02	111288-02	Manual Valve w/ Flex Hose	1
43	20023	20023	Starter Collar	1
44	108005-01	108005-01	Wire Harness	1
45	108005-02	108005-02	Wire Harness	1
46	11418	11418	Push-On Nut	2
47	12105	107840-01	Screen	2
PARTS AVAILABLE NOT SHOWN				
	901155-01	901155-01	Vermiculite Bag	1
	901156-01	901156-01	Pan Material	1
	901157-01	901157-01	Lava Rock	1

PARTS

BRICK LINERS FOR MODELS

M36(B,H), M36P(B,H), VM36(B,H) AND VM36P(B,H)

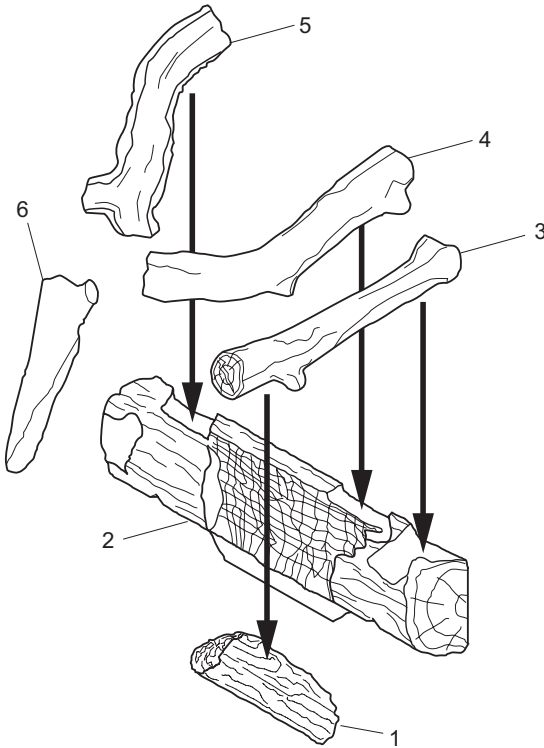


KEY NO.	M36(B,H) VM36(B,H)	M42(B,H) VM42(B,H)	DESCRIPTION	QTY
12	106658-02	107812-02	Left Refractory, Std. Brick (M36B/M42B)	1
	108164-02	108169-02	Left Refractory, Herringbone (M36H/M42H)	1
	106658-01	107812-01	Left Refractory, Std. Brick (VM36B/VM42B)	1
	108164-01	108169-01	Left Refractory, Herringbone (VM36H/VM42H)	1
13	106659-02	107814-02	Right Refractory, Std. Brick (M36B/M42B)	1
	108165-02	108170-02	Right Refractory, Herringbone (M36H/M42H)	1
	106659-01	107814-01	Right Refractory, Std. Brick (VM36B/VM42B)	1
	108165-01	108170-01	Right Refractory, Herringbone (VM36H/VM42H)	1
14	106660-02	107816-02	Rear Refractory, Std. Brick (M36B/M42B)	1
	108166-02	108171-02	Rear Refractory, Herringbone (M36H/M42H)	1
	106660-01	107816-01	Rear Refractory, Std. Brick (VM36B/VM42B)	1
	108166-01	108171-01	Rear Refractory, Herringbone (VM36H/VM42H)	1
15	106661-02	107818-02	Bottom Rear Refractory, Std. Brick (M36/M42, M36B/M42B)	1
	108167-02	108172-02	Bottom Rear Refractory, Herringbone (M36H/M42H)	1
	106661-01	107818-01	Bottom Rear Refractory, Std. Brick (VM36/VM42, VM36B/VM42B)	1
	108167-01	108172-01	Bottom Rear Refractory, Herringbone (VM36H/VM42H)	1
16	106662-02	107820-02	Bottom Front Refractory, Std. Brick (M36/M42, M36B/M42B)	1
	108168-02	108173-02	Bottom Front Refractory, Herringbone (M36H/M42H)	1
	106662-01	107820-01	Bottom Front Refractory, Std. Brick (VM36/VM42, VM36B/VM42B)	1
	108168-01	108173-01	Bottom Front Refractory, Herringbone (VM36H/VM42H)	1

PARTS

LOGSETS FOR MODELS

M36(B,H), M36P(B,H), VM36(B,H) AND VM36P(B,H)



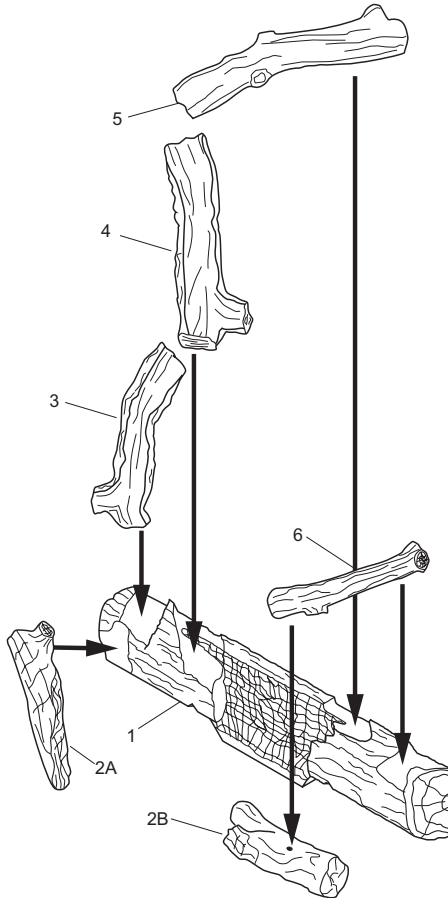
KEY PART

NO.	NUMBER	DESCRIPTION	QTY.
-	107999-01	Log Set	
1	108724-01	Right Front 9" Split Log	1
2	901098-01	Rear Log	1
3	108720-01	Top Right Log - 11 3/4"	1
4	108721-01	Top Right Log - 16"	1
5	108722-01	Top Left Log - 13 1/2" Y-Log	1
6	108723-01	Top Left Log - 11"	1

PARTS

LOGSETS FOR MODELS

M42(B,H), M42P(B,H), VM42(B,H) AND VM42P(B,H)



KEY PART

NO.	NUMBER	DESCRIPTION	QTY.
-	107999-02	Log Set	
1	901098-02	Rear Log	1
2A	108723-01	Left Front Log - 11"	1
2B	108839-01	Right Front Log - 15 3/4" Round	1
3	108722-01	Top Left Log - 13 1/2" Y-Log	1
4	108838-01	Inside Top Left Log - 15 3/4" Split	1
5	108721-01	Inside Top Right Log - 16"	1
6	108720-01	Top Right Log - 11 3/4"	1

ACCESSORIES

NOTICE: All accessories may not be available for all fireplace models.

Purchase these accessories from your local dealer. If they can not supply these accessories call FMI PRODUCTS, LLC at 1-866-328-4537 for information. You can also write to the address listed on the back page of this manual.

AIR KIT - AK4

Optional kit helps offset the negative pressure often existing in today's tightly constructed homes.

REMOTE CONTROL KITS

MLCR - Hand-Held

GWMS2 - Wall-Mount ON/OFF Switch

EXTRUDED ALUMINUM BI-FOLD

GLASS DOORS

BD36 - 36" Black Finish

BD36B - 36" Brushed Brass Finish

BD36P - 36" Platinum Finish

BD42 - 42" Black Finish

BD42B - 42" Brushed Brass Finish

BD42P - 42" Platinum Finish

FIXED GLASS DOORS

FD36 - 36" Black Finish

FD36B - 36" Brushed Brass Finish

FD36P - 36" Platinum Finish

FD42 - 42" Black Finish

FD42B - 42" Brushed Brass Finish

FD42P - 42" Platinum Finish

BRICK LINER KIT

(For **M36(B,H)**, **M36P(B,H)**, **M42(B,H)** and **M42P(B,H)**)

BL36 - 36" Refractory Standard Brick

BL42 - 42" Refractory Standard Brick

BL36H - 36" Refractory Herringbone Brick

BL42H - 42" Refractory Herringbone Brick

(For **VM36(B,H)**, **VM36P(B,H)**, **VM42(B,H)** and **VM42P(B,H)**)

BL36S - 36" Refractory Standard Brick

BL42S - 42" Refractory Standard Brick

BL36HS - 36" Refractory Herringbone Brick

BL42HS - 42" Refractory Herringbone Brick

BLOWER KIT

BK - Squirrel Cage Blower With Speed Control

PERIMETER TRIM

PT36 - 36", Black

PT36B - 36", Brushed Brass

PT36P - 36", Platinum

PT42 - 42", Black

PT42B - 42", Brushed Brass

PT42P - 42", Platinum

LOUVER TRIM KIT (Rolled Louvers Only)

LT36B - 36", Brushed Brass

LT36P - 36", Platinum

LT42B - 42", Brushed Brass

LT42P - 42", Platinum

FACE/LOUVER PANEL KITS

SP36, **SP42** - Smooth Faced, Black

SL36, **SL42** - Stamped, Black

RL36, **RL42** - Rolled, Black

FP36, **FP42** - Filigree, Black

FP36B, **FP42B** - Filigree, Brushed Brass

FP36P, **FP42P** - Filigree, Platinum

FIRE CRACKLE - CF6-A

Creates the sound of a real burning fire.

PROPANE/NATURAL GAS CONVERSION KIT (Not Shown)

PCBM-36 - Propane/LP Gas, Millivolt Models

NCBM-36 - Natural Gas - Millivolt Models

PCBM-42 - Propane/LP Gas, Millivolt Models

NCBM-42 - Natural Gas, Millivolt Models

WARRANTY

KEEP THIS WARRANTY

Model (located on product or identification tag) _____

Serial No. (located on product or identification tag) _____

Date Purchased _____

Keep receipt for warranty verification.

FMI PRODUCTS, LLC LIMITED WARRANTIES

New Products

Standard Warranty: FMI PRODUCTS, LLC warrants this new product and any parts thereof to be free from defects in material and workmanship for a period of four (4) year from the date of first purchase from an authorized dealer provided the product has been installed, maintained and operated in accordance with FMI PRODUCTS, LLC's warnings and instructions.

For products purchased for commercial, industrial or rental usage, this warranty is limited to 90 days from the date of first purchase.

Factory Reconditioned Products

Limited Warranty: FMI PRODUCTS, LLC warrants factory reconditioned products and any parts thereof to be free from defects in material and workmanship for 30 days from the date of first purchase from an authorized dealer provided the product has been installed, maintained and operated in accordance with FMI PRODUCTS, LLC's warnings and instructions.

Terms Common to All Warranties

The following terms apply to all of the above warranties:

Always specify model number and serial number when contacting the manufacturer. To make a claim under this warranty the bill of sale or other proof of purchase must be presented.

This warranty is extended only to the original retail purchaser when purchased from an authorized dealer, and only when installed by a qualified installer in accordance with all local codes and instructions furnished with this product.

This warranty covers the cost of part(s) required to restore this product to proper operating condition and an allowance for labor when provided by a FMI PRODUCTS, LLC Authorized Service Center or a provider approved by FMI PRODUCTS, LLC. Warranty parts must be obtained through authorized dealers of this product and/or FMI PRODUCTS, LLC who will provide original factory replacement parts. Failure to use original factory replacement parts voids this warranty.

Travel, handling, transportation, diagnostic, material, labor and incidental costs associated with warranty repairs, unless expressly covered by this warranty, are not reimbursable under this warranty and are the responsibility of the owner.

Excluded from this warranty are products or parts that fail or become damaged due to misuse, accidents, improper installation, lack of proper maintenance, tampering, or alteration(s).

This is FMI PRODUCTS, LLC's exclusive warranty, and to the full extent allowed by law; this express warranty excludes any and all other warranties, express or implied, written or verbal and limits the duration of any and all implied warranties, including warranties of merchantability and fitness for a particular purpose to four (4) year on new products and 30 days on factory reconditioned products from the date of first purchase. FMI PRODUCTS, LLC makes no other warranties regarding this product.

FMI PRODUCTS, LLC's liability is limited to the purchase price of the product, and FMI PRODUCTS, LLC shall not be liable for any other damages whatsoever under any circumstances including indirect, incidental, or consequential damages.

Some states do not allow limitations on how long an implied warranty lasts or the exclusion or limitation of incidental or consequential damages, so the above limitation or exclusion may not apply to you.

This warranty gives you specific legal rights, and you may also have other rights which vary from state to state.

For information about this warranty contact:


FMI PRODUCTS, LLC
2701 S. Harbor Blvd.
Santa Ana, CA 92704
1-866-328-4537
www.fmiproductions.com

108795-01
Rev. W
09/09