

Acumen Model Max 101

Fireplace Remote Control Operating Instructions For The Homeowner

The Acumen Max 101 Remote Control is designed for use with decorative gas fireplace and wall heaters. The remote receiver can either be installed inside the fireplace or in a wall mount.

BEFORE YOU BEGIN:

Warning: The pilot flame must be lit, with the gas control valve turned to "ON", for the remote to work correctly.

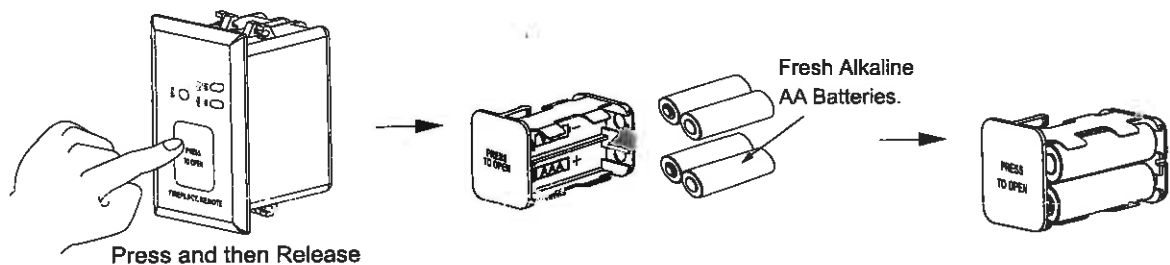
Read all of the safety precautions in the owner's manual included with your fireplace before using this remote control. The thermostat is not intended for unattended use.

INSTALLING FRESH BATTERIES:

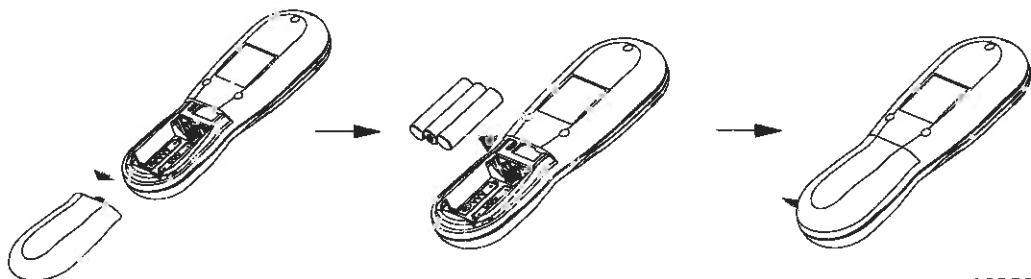
Note: It is not necessary to re-set your private code when installing fresh batteries.

The fireplace **MUST** be OFF before replacing transmitter batteries.

INSTALL BATTERIES INTO RECEIVER:



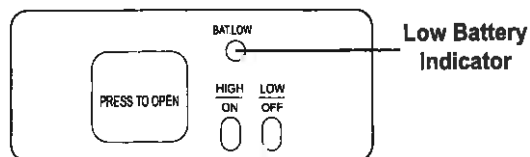
INSTALL BATTERIES INTO TRANSMITTER:



Replace Batteries At Least Every 6 Months.

WARNING: THE REMOTE TRANSMITTER WILL AUTOMATICALLY SWITCH OFF THE FIREPLACE WHEN THE BATTERIES IN THE REMOTE TRANSMITTER ARE LOW.

RECEIVER OPERATION:



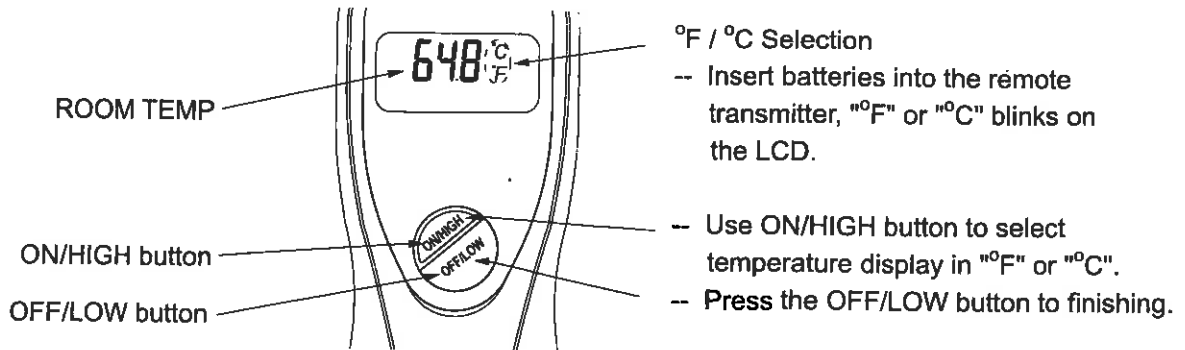
Fireplace Controlled
by Remote

IMPORTANT NOTES

- Do not operate the remote transmitter and receiver at the same time.
- Do not press the remote receiver OFF/LOW and ON/HIGH buttons at the same time.

TRANSMITTER OPERATION

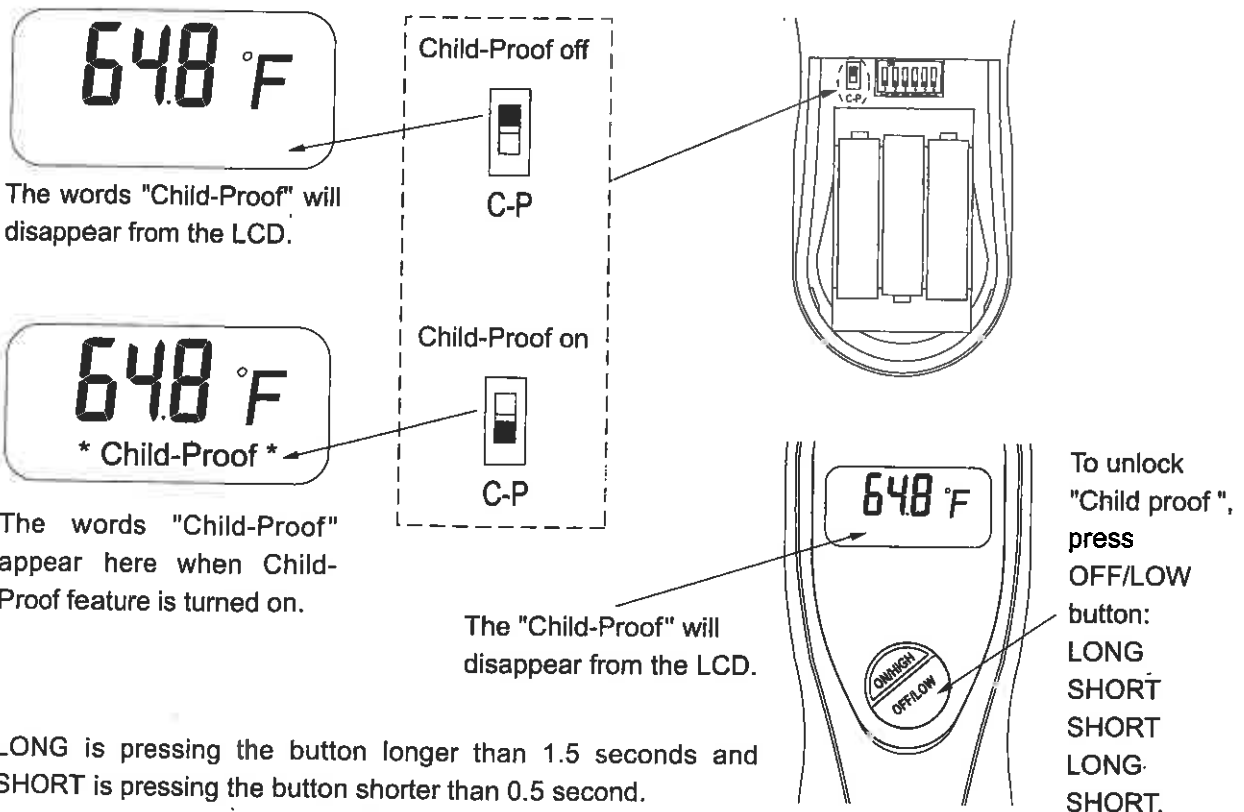
- Press the ON/HIGH button on the remote transmitter or receiver to turn on the fireplace and increase the flame height of the fireplace. Release the button at desired flame height.
- Press the OFF/LOW button on the remote transmitter or receiver to decrease the flame height. The fireplace will be turned off automatically at minimum flame height.



WARNING: IT TAKES SOME TIME FOR THE RECEIVER TO RESPOND TO THE TRANSMITTER. DO NOT PRESS THE BUTTONS MORE THAN ONCE WITH 2 SECONDS FOR CORRECT OPERATION.

Child-Proof Feature

The Child-Proof switch disables the buttons on the front of the Remote.



Acumen Model Max 101

Fireplace Remote Control Operating Instructions For The Homeowner

The Acumen Max 101 Remote Control is designed for use with decorative gas fireplace and wall heaters. The remote receiver can either be installed inside the fireplace or in a wall mount.

BEFORE YOU BEGIN:

Warning: The pilot flame must be lit, with the gas control valve turned to "ON", for the remote to work correctly.

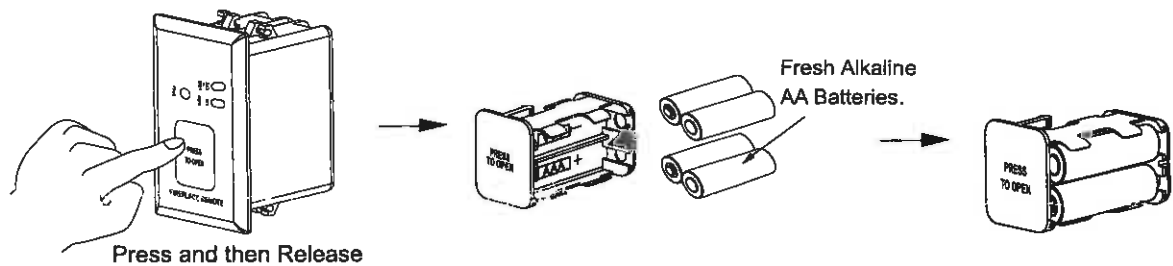
Read all of the safety precautions in the owner's manual included with your fireplace before using this remote control. The thermostat is not intended for unattended use.

INSTALLING FRESH BATTERIES:

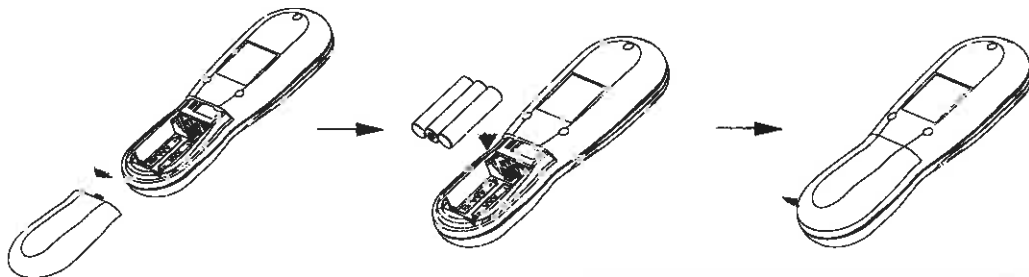
Note: It is not necessary to re-set your private code when installing fresh batteries.

The fireplace **MUST** be OFF before replacing transmitter batteries.

INSTALL BATTERIES INTO RECEIVER:



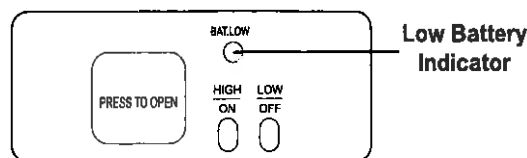
INSTALL BATTERIES INTO TRANSMITTER:



Replace Batteries At Least Every 6 Months.

WARNING: THE REMOTE TRANSMITTER WILL AUTOMATICALLY SWITCH OFF THE FIREPLACE WHEN THE BATTERIES IN THE REMOTE TRANSMITTER ARE LOW.

RECEIVER OPERATION:



Fireplace Controlled
by Remote

Acumen Model Max 101

Fireplace Remote Control Installation Instructions

PLEASE LEAVE THE INSTRUCTIONS TO THE HOMEOWNER.

The Acumen Max 101 Remote Control is designed for use with decorative gas fireplace and wall heaters. The remote receiver can either be installed inside the fireplace or in a wall mount.

The Max 101 Transmitter is an Two-button hand held transmitter, which turns the gas on/off. The display of the transmitter shows the current room temperature, low battery indicator and "Child-Proof".

Installation Precautions:

The Max 101 Remote Control is tested safe when installed in accordance with this installation manual. It is your responsibility to read all instructions before starting installation and follow these instructions carefully during installation.

The Max 101 Remote Control **MUST** be installed by a qualified service technician.

The Max 101 Remote Control is carefully engineered and **MUST** be installed only as specified. If you modify it or any of its components, you may possibly cause a fire hazard.

Installation Instruction

Do not connect 110V AC to the gas control valve or ON/OFF switch on gas heaters or the thermostat posts on pellet heaters.

1.0 Installing the Receiver

Connect the cable at the end of the remote receiver to the motor of the gas valve. See *Figure 1*.

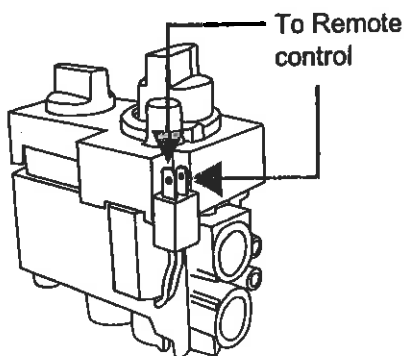


Figure 1

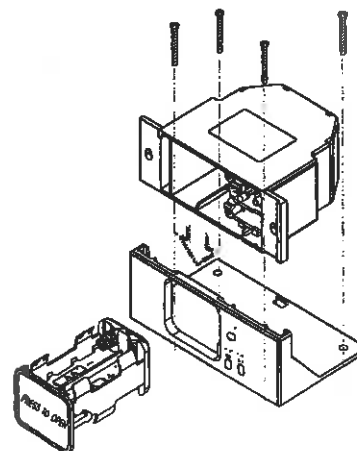


Figure 2

2. Installing the Remote Receiver to a Fireplace:

- Secure the Fireplace Mounting plate to the base pan of the fireplace.
- Slide the Remote Receiver into the fireplace mounting plate. See *Figure 2*.

- Slide the battery compartment into the Remote Receiver. See *Figure 3*.
- In order to prevent the Remote Receiver (fireplace installation only) from overheating, put a heat shield (option item) above the Remote Receiver. See *Figure 4*.

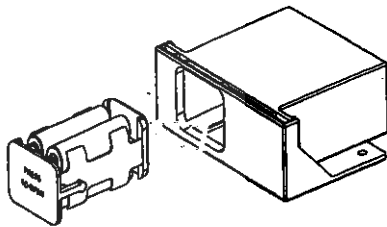


Figure 3

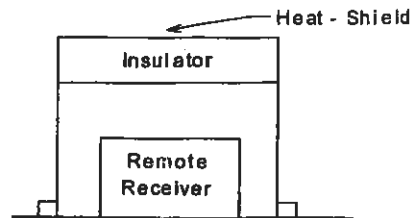


Figure 4

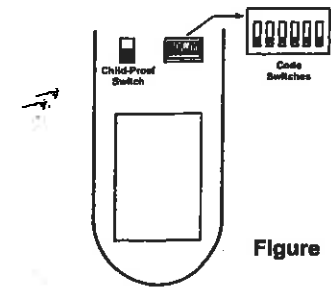


Figure 5

2.0 IMPORTANT SAFETY FEATURE:

You can set a private code into your system to prevent accidental operation by another transmitter nearby. See *Figure 5*.

2.1 Coding Instructions:

- Remove the cover on the back of the Remote Transmitter to expose the code switches. Slide the code switches to your choice of ON or OFF positions. FACTORY SETTING IS ALL "OFF".
- Keep the Remote Transmitter and the Remote Receiver within 2-10 feet.
- Put battery compartment into the receiver.
- Install fresh AAA alkaline batteries into the Remote Transmitter, press OFF/LOW button to select "°F" or "°C".
- Press any button on the Remote Transmitter, the Remote Receiver will produce a 'beep' sound when it receives the code from the Remote Transmitter.
- Replace the cover of the Remote Transmitter and the Receiver. The system is now ready to operate.

Note: If you do not hear a 'beep' sound from the Remote Receiver, remove the batteries from the Remote Transmitter and slide the slide switch on the remote receiver to OFF position. Repeat step 2 to 5 after 1 minute.

Note: User must repeat steps 2-5 every time they change the code.

FCC Requirements

Warning : Changes or modifications to this unit not expressly approved by the party responsible for compliance could void the user authority to operate the equipment. This equipment has been tested and found to comply with the limits for a Class B digital device, pursuant to Part 15 to the FCC Rules. These limits are designed to provide reasonable protection against harmful interference in a residential installation. This equipment generates, uses, and can radiate radio frequency energy and, if not installed and used in accordance with the instructions, may cause harmful interference to radio communications. However, there is no guarantee that interference will not occur in a particular installation. If this equipment does cause harmful interference to radio or television reception, which can be determined by turning the equipment off and on, the user is encouraged to try to correct the interference by one or more of the following measures:

- Reorient or relocate the receiver antenna.
- Increase the separation between the equipment and receiver.
- Connect the equipment into an outlet on a circuit different from that to which the receiver is connected.
- Consult the dealer or an experienced radio TV technician for help.

Canadian Equipment Requirements

This digital apparatus does not exceed the (class A/Class B)* limits for radio noise emissions from digital apparatus set out in the Radio Interference Regulations of the Canadian Department of Communications. Le présent appareil numérique n'émet pas de bruits radioélectriques dépassant les limites applicables aux appareils numériques (de la class A/de la class B)* prescrites dans le Règlement sur le brouillage radioélectrique édicté par le ministère des Communications du Canada.

This device complies with RSS-210 of Industry and Science Canada. Operation is subject to the following two conditions: (1) this device may not cause interference, and (2) this device must accept any interference, including interference that may cause undesired operation of the device.

All wiring should be done by a qualified electrician and shall be in compliance with local codes and with the National Electric Code ANSI/NFPA No. 70-current (in the United States), or with the current CSA C22.1 Canadian Electric Code (in Canada).