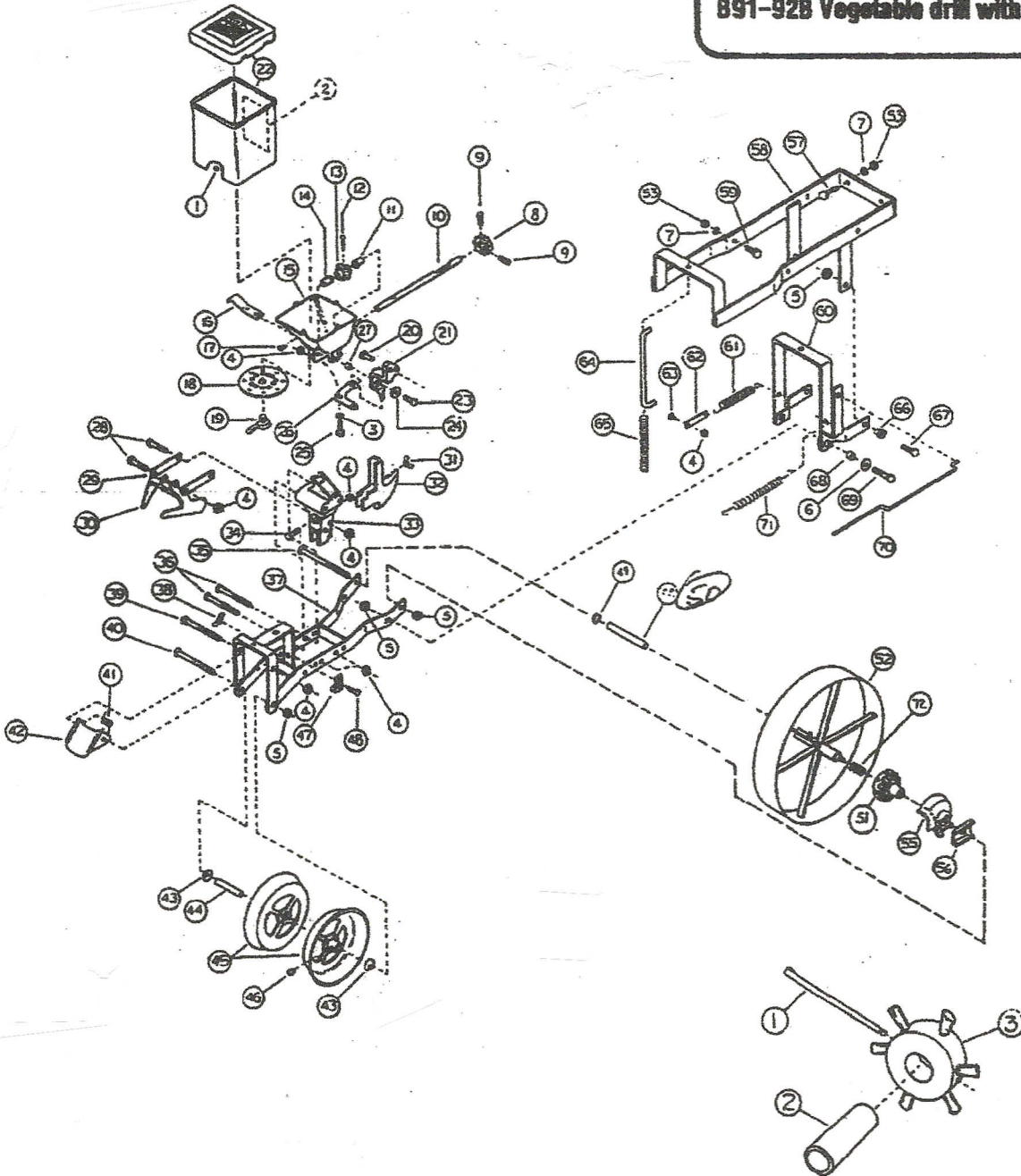


# REPAIR PARTS

871-35B Vegetable drill

891-92B Vegetable drill with floating hitch



BUNDLE B10-039X: NARROW BRUSH FEED WHEEL  
FOR SINGLE HOPPER  
BUNDLE B96-084X: WIDE BRUSH FEED WHEEL  
FOR DOUBLE HOPPER

REF. NO.	PART NO.	DESCRIPTION	NO. REQ.
1	001-3355	Cotter Pin 1/8" x 2"	1
2	P00-521A	Ferrule	1
3	P96-083	Brush, Narrow Feed Wheel	1
	P96-084	Brush, Wide Feed Wheel (Not Shown)	1