

# D20S

(1/5)

## 20ED001 Injection Seal Kit

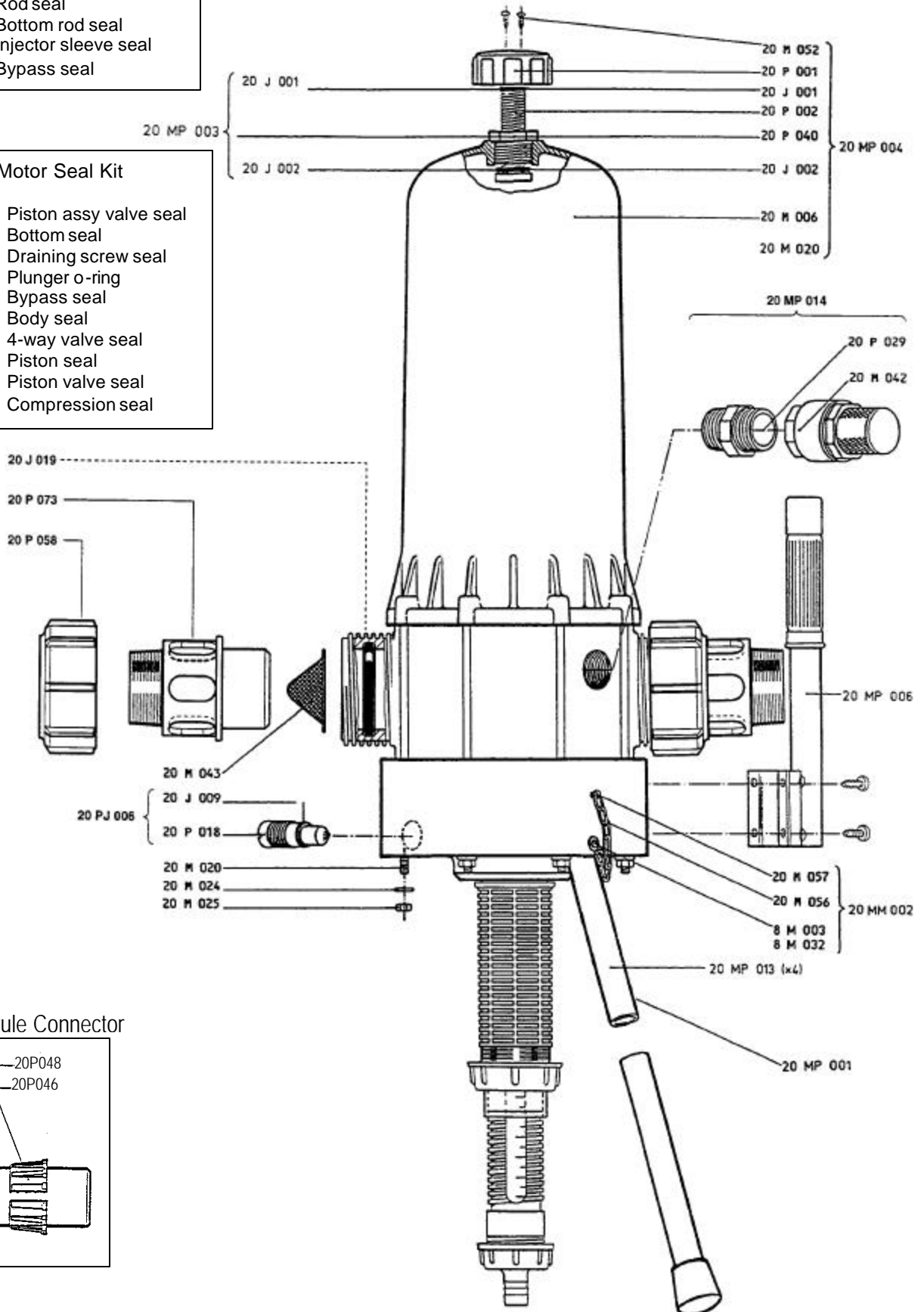
Includes:

- 1-20J015 Long check valve seal
- 1-20J011 Injector body seal
- 1-20J012 Piston plunger seal
- 2-20J014 Check valve seal
- 1-20J013 Rod seal
- 1-20J008 Bottom rod seal
- 1-20J010 Injector sleeve seal
- 1-20J001 Bypass seal

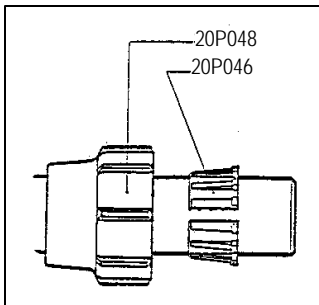
## 20ED002 Motor Seal Kit

Includes:

- 2-20J018 Piston assy valve seal
- 2-20J006 Bottom seal
- 1-20J009 Draining screw seal
- 4-20J008 Plunger o-ring
- 1-20J002 Bypass seal
- 2-20J005 Body seal
- 1-20J007 4-way valve seal
- 1-20J004 Piston seal
- 4-20J017 Piston valve seal
- 2-20J019 Compression seal

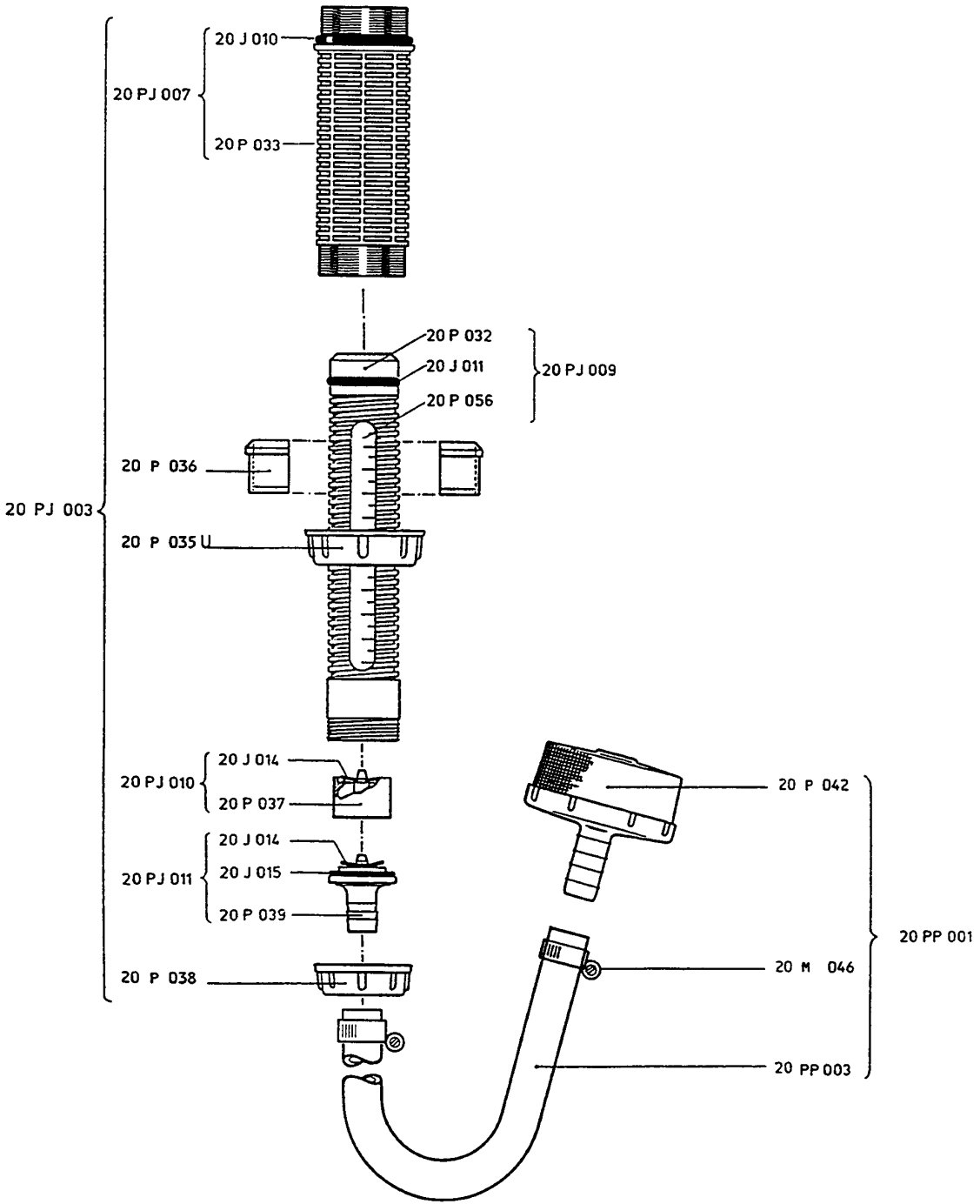


Old Nut and Ferrule Connector



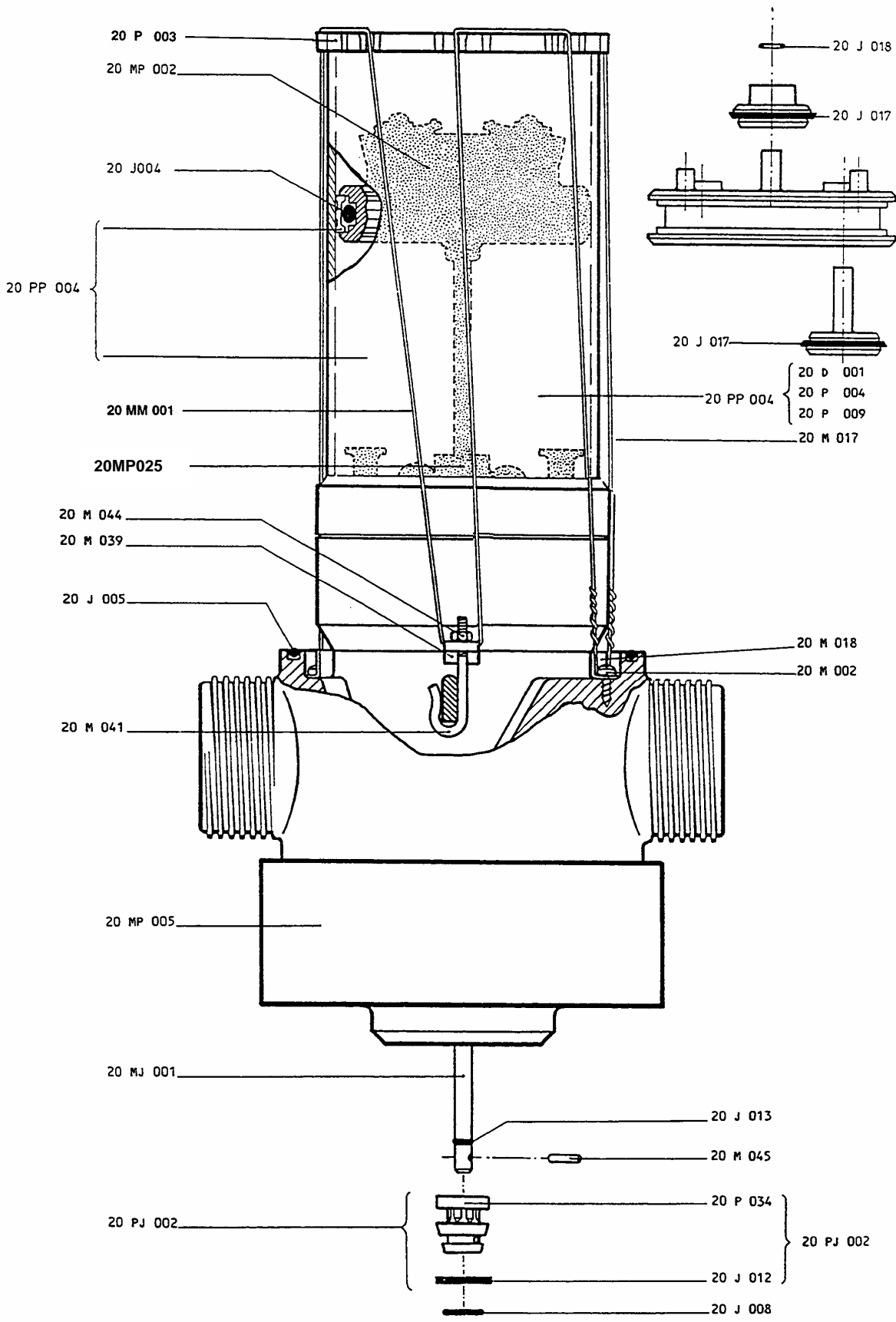
# D20S

(2/5)



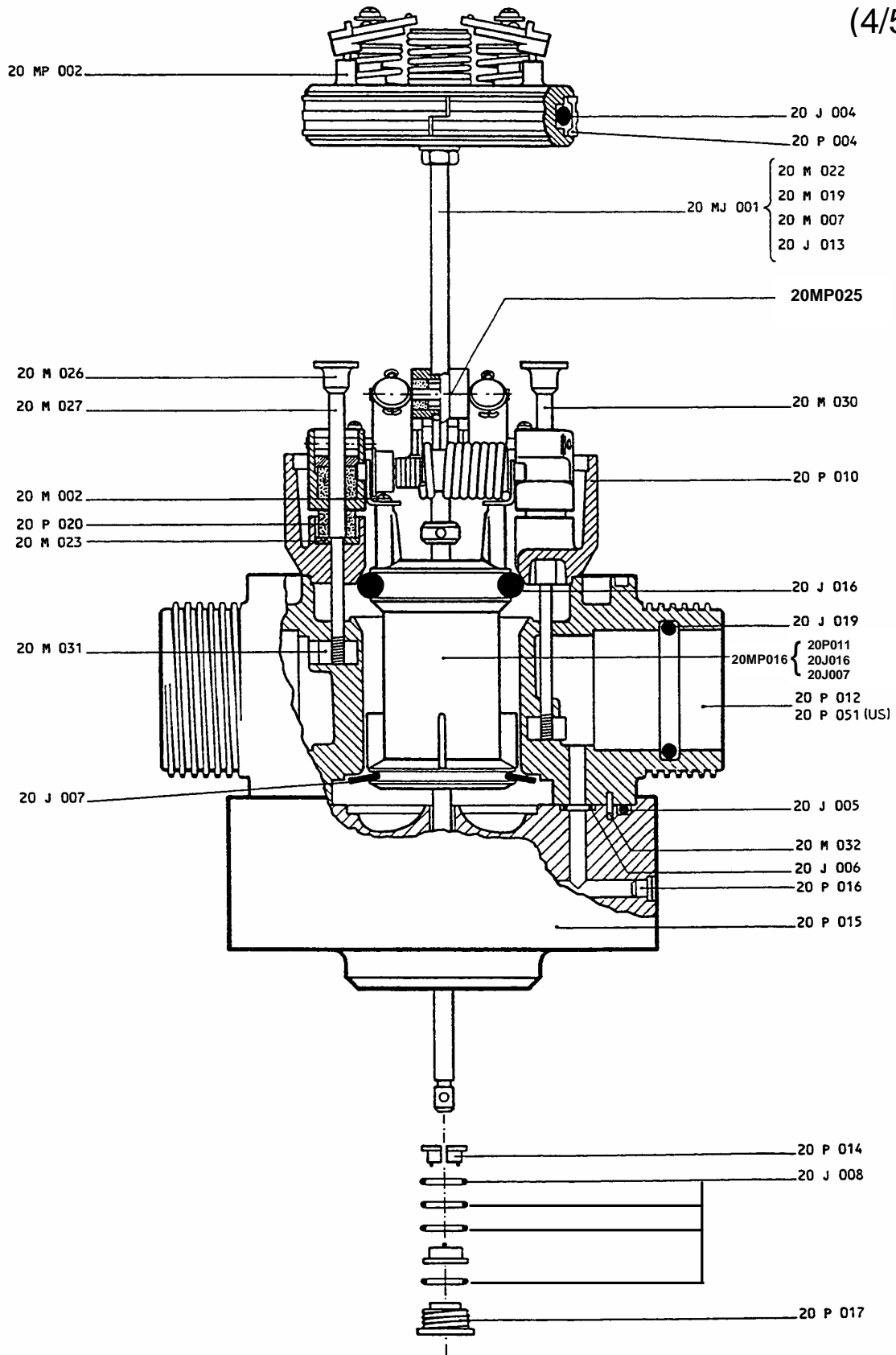
# D20S

(3/5)



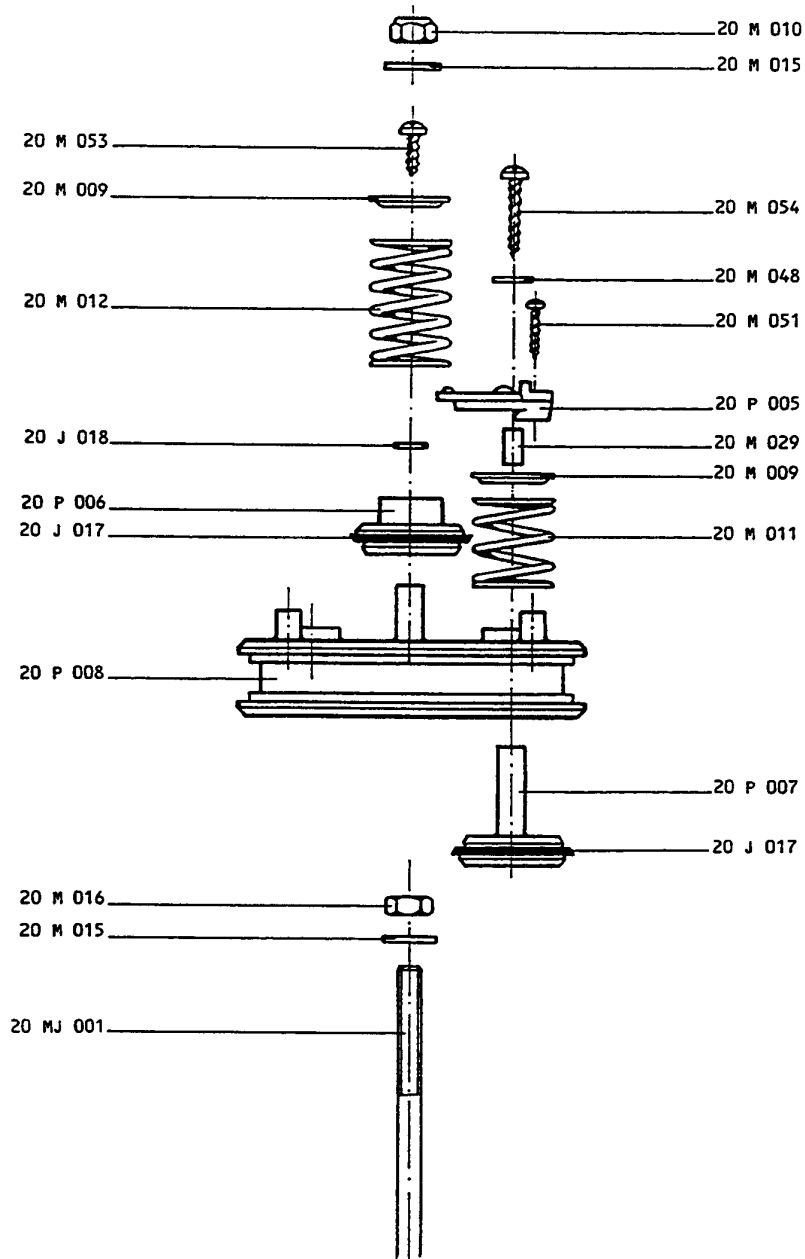
# D20S

(4/5)



# D20S

(5/5)



## D20S PARTS LIST

PART #	PART DESCRIPTION
20ED001US	INJECTION SEAL KIT
20ED002PA	MOTOR SEAL KIT
20J001	BYPASS SEAL
20J002VF	BYPASS SEAL
20J004	PISTON SEAL
20J005	BODY SEAL
20J006VF	BOTTOM SEAL
20J007	4 WAY VALVE SEAL, GREEN
20J008VF	BOTTOM ROD SEAL
20J009	DRAINING SCREW SEAL
20J010VF	INJECTOR SLEEVE SEAL
20J011VF	INJECTOR BODY SEAL
20J012VF	PISTON PLUNGER SEAL
20J013VF	ROD SEAL
20J014VF	CHECK VALVE SEAL
20J015VF	LONG CHECK VALVE O-RING
20J017	PISTON VALVE SEAL
20J018	PISTON VALVE O-RING
20J019	COMPRESSION SEAL
20M002	SCREW
20M010	PISTON LOCK NUT
20M015	PISTON FLAT WASHER
20M016	LOWER PISTON NUT
20M020	TIE BOLT
20M023	COLLAR WASHER
20M024	LOWER WASHER
20M025	TIE BOLT NUT
20M026	COLUMN NUT
20M027	SHAFT
20M030	SHAFT
20M031	TIE BOLT NUT
20M032	PIN (STAINLESS STEEL)
20M039	WIRE TENSIONING BAR
20M041	TENSIONING HOOK
20M043	INLET STRAINER
20M044	TENSIONING HOOK NUT
20M045	PLUNGER PIN
20M046	FASTENER
20M051	SCREW
20M052	SCREW
20MJ001VF	ROD ASSEMBLY
20MM (WR)	SUCTION HOSE (PER FOOT)
20MM001	WIRE TENSIONING HOOK ASSEMBLY
20MM002	CHAIN ASSEMBLY
20MP002	PISTON ASSEMBLY
20MP003	BYPASS SHUT OFF ASSEMBLY
20MP004	BLUE BELL HOUSING ASSEMBLY
20MP005VF	BOTTOM PART ASSEMBLY
20MP006	HANDLE ASSEMBLY

## D20S PARTS LIST

PART #	PART DESCRIPTION
20MP025	ACTUATOR SPRING ASSEMBLY
20MP012	BODY ASSEMBLY
20MP013	STAND ASSEMBLY
20MP014	VACUUM BREAKER VALVE ASSEMBLY
20MP016	4 WAY VALVE ASSEMBLY & SEAL
20P001	KNOB
20P002	BY-PASS SCREW
20P003	GLASS TUBE RETAINING RING
20P004	PISTON RING
20P006	SHORT VALVE
20P007	LONG VALVE
20P010	COLLAR
20P014	SEAL GUIDE
20P016	PLUG FOR BASE
20P017	NUT
20P020	CUSHION
20P029	1" NIPPLE
20P033	INJECTION SLEEVE
20P035U	2" NUT D20S
20P036	CLEAR ADJUSTING NUT
20P037	UPPER CHECK VALVE
20P038	1 1/2" CHECK VALVE NUT
20P039	LOWER CHECK VALVE
20P040	BYPASS REDUCER
20P042*	STRAINER ASSEMBLY
20P051	BODY
20P056	GRADUATED SCALE-RATIO
20P058	NUT FOR THREADED ADAPTER
20P073	NPT THREADED ADAPTER
20PJ002VF	PLUNGER ASSEMBLY
20PJ003PA	INJECTION ASSEMBLY
20PJ006	DRAINING SCREW ASSEMBLY
20PJ007PA	INJECTION SLEEVE ASSEMBLY
20PJ009VF	INJECTOR BODY (RATIO)
20PJ010VF	SHORT CHECK VALVE ASSEMBLY
20PJ011VF	LONG CHECK VALVE ASSEMBLY
20PP001	SUCTION INTAKE TUBE ASSEMBLY
20PP004	GLASS TUBE ASSEMBLY & PISTON RING

**\*Not Sold Separately**