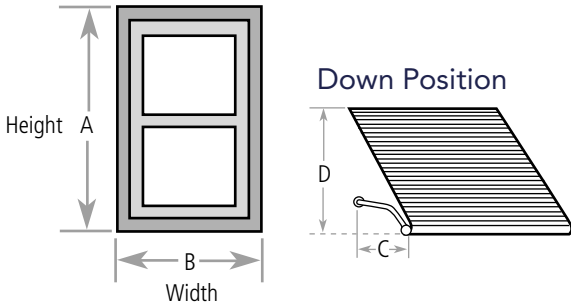
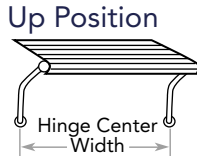


5500

Aluminum Roll-Up Window Awning

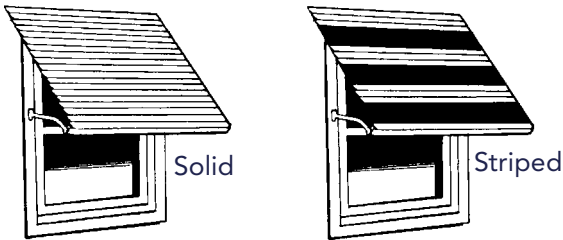


***NOTE: Awning Width (hinge center):** Is the center to center distance in width between the 2 arms where they mount on wall or casing.



Awning Model#	0	1	2	3	4
For Window Heights up to	36"	46"	56"	66"	76"
C. Projection	18"	24"	30"	35"	42"
D. Awning Drop	27"	33"	39"	44"	51"

Drop and projections are approximate.



Special orders are not returnable. Verify all information before ordering.

MEASURING & ORDERING

INFORMATION

Complete Order Information section below using steps 1 through 3.

Step 1

Awning Model Numbers 0 through 4: Measure window height (A). Use chart to determine awning model number.

Step 2

Awning Width: If mounting arms on casings, measure the center to center width of casings (B). For wall mount select any desired width, allow 1" on each side for mounting hardware. Arms cannot be mounted on shutters. Custom widths up to 120" in 1" increments. *See Note.

Step 3

Color/Pattern Choice: Select the color(s) and pattern that best compliments your home. The awning may be ordered in a solid color or striped pattern.

Special Orders

- Available in any width up to 120" in 1" increments.
- Awnings available in solid or striped pattern. (no additional charge)
- Undersides of all awnings will be white

Quantity	Step #1	Step #2	Step #3	
	Awning Model # 0, 1, 2, 3 or 4	Awning Width SEE NOTE	Awning Color	Stripe Color