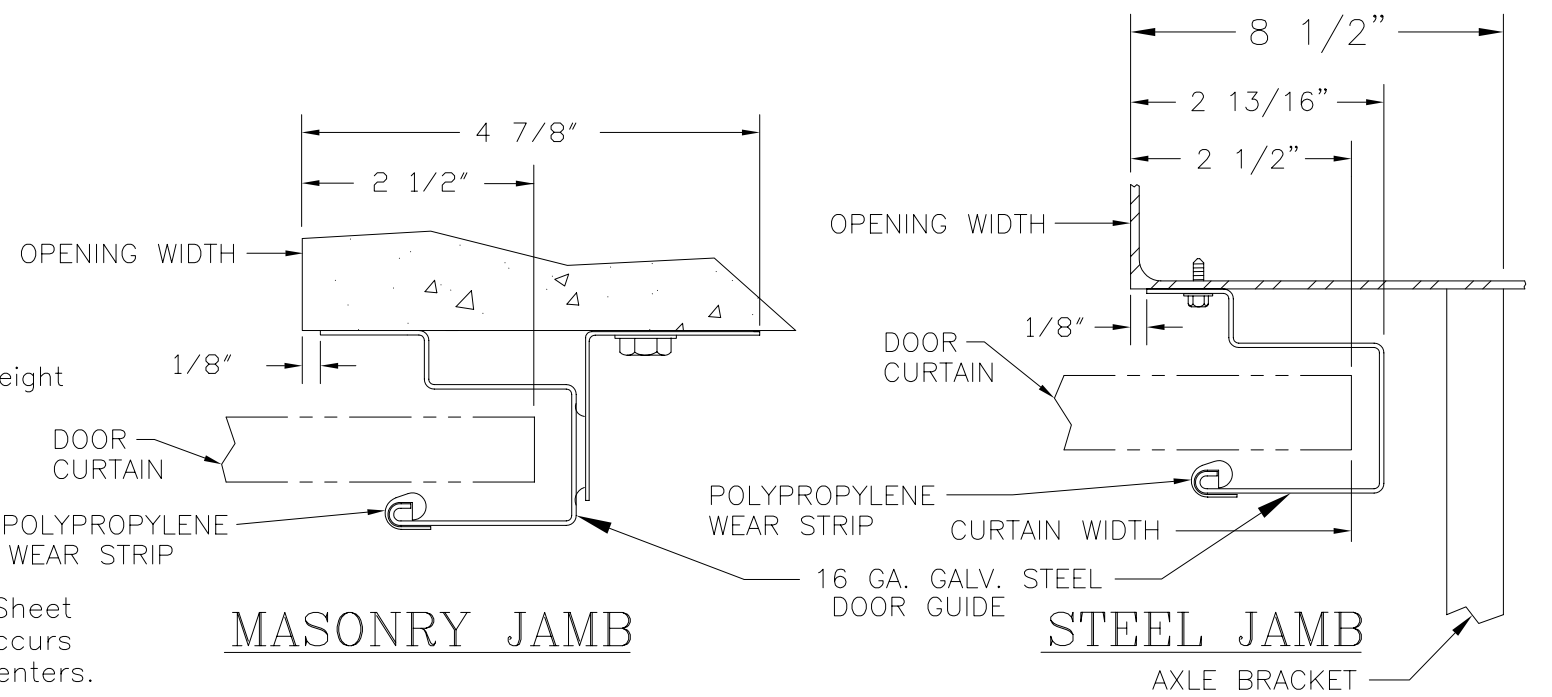


INTERIOR ELEVATION

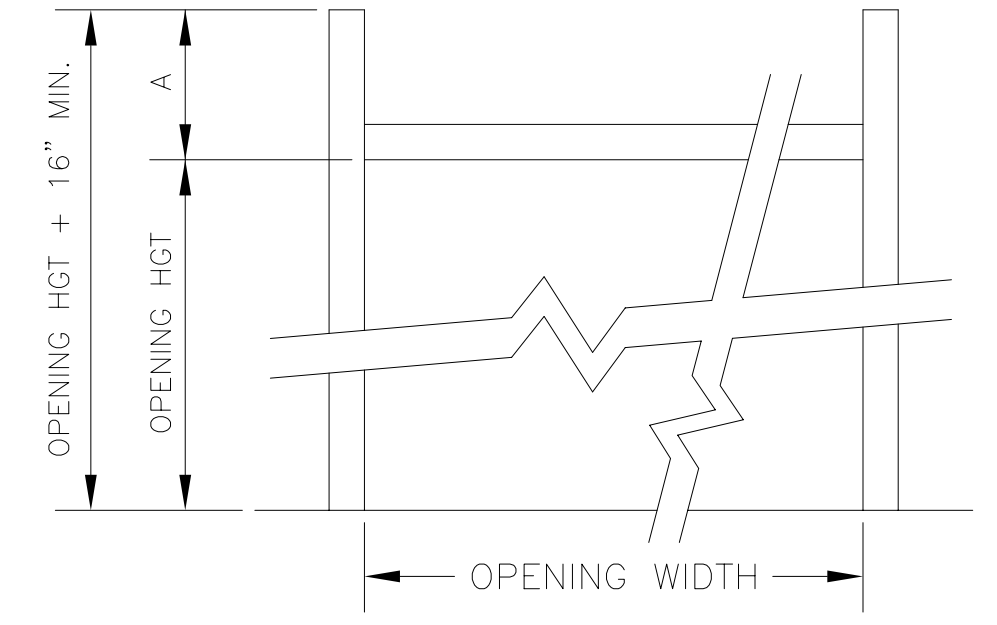
SIDE ELEVATION



MASONRY JAMB

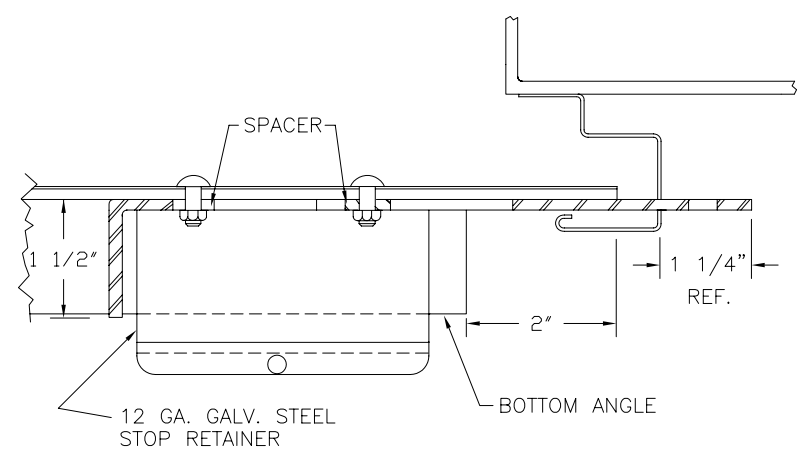
STEEL JAMB

HEADROOM "A" DIM	"A" DIM
UP TO 8'-0"	16"
8'-1" TO 10'-0"	17"
10'-1" TO 12'-0"	18"
12'-1" TO 14'-0"	19"
14'-1" TO 16'-0"	20"

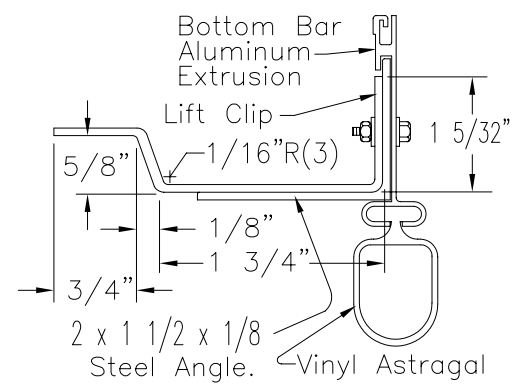


FRAMING DETAIL FOR DOOR OPENING

**MODEL 601**



SLIDE BOLT LOCK ASSEMBLY



BOTTOM BAR  
Scale: None

COLOR:					
D					
C					
B					
A					
DOOR	QTY.	WIDTH	HEIGHT	TYPE OF OPERATION	SPECIAL COMMENTS

**MODEL 601**

	JOB: _____	DATE: 10/06/03 SHEET: 1
	CONTRACTOR: _____	DRAWN BY: CDW
	ARCHITECT: _____	CHECKED BY: _____
	ADDRESS: _____	DRAWING NUMBER
	DISTRIBUTOR: _____	
	ADDRESS: _____	
	ENGINEER: J.H. DIXON JR P.E. LIC No. FL7768	

601-00-120 shop drawing