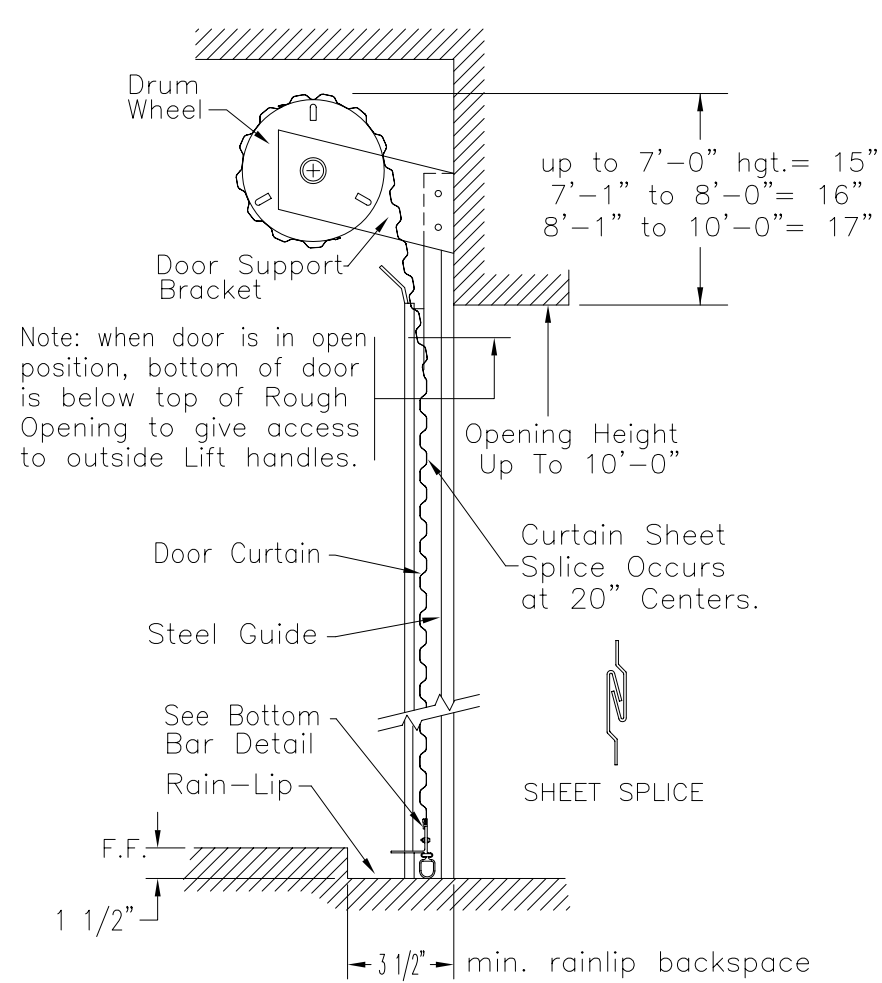


INTERIOR ELEVATION

Scale: None

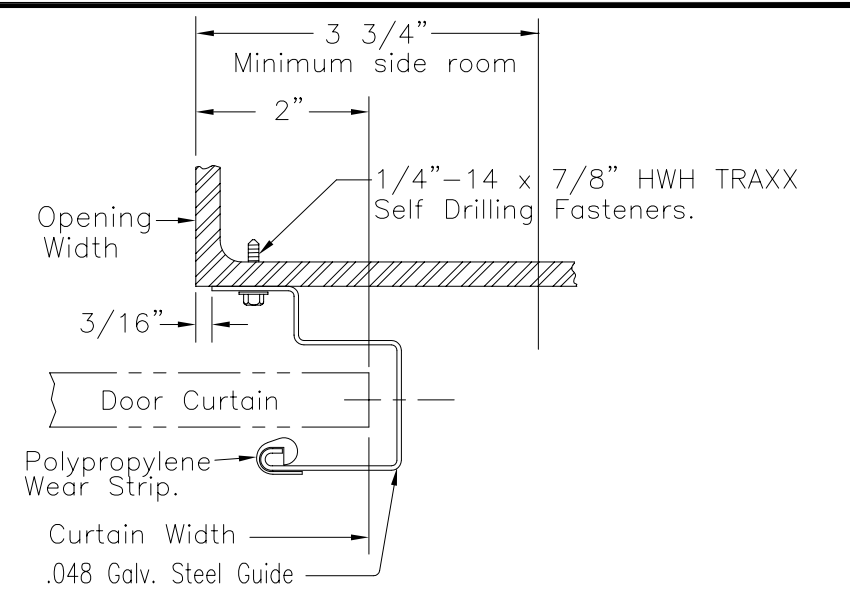
Door Curtain:
 .017 Hot Dip Galvanized Steel
 ASTM A-653 Structural Steel
 (Grade 80) With Full Coat Of Primer And
 Baked Polyester Finish Coat.

Steel Jamb mounting: maximum spacing of guide anchors "X" = 37.125".
 Masonry Jamba mounting: maximum spacing of guide anchors "X" = 40".

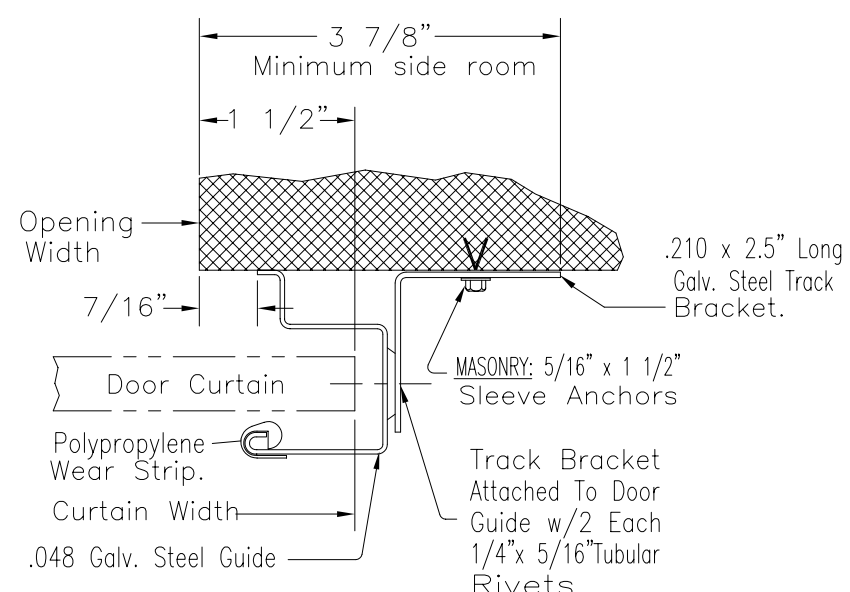


SECTION THRU DOOR

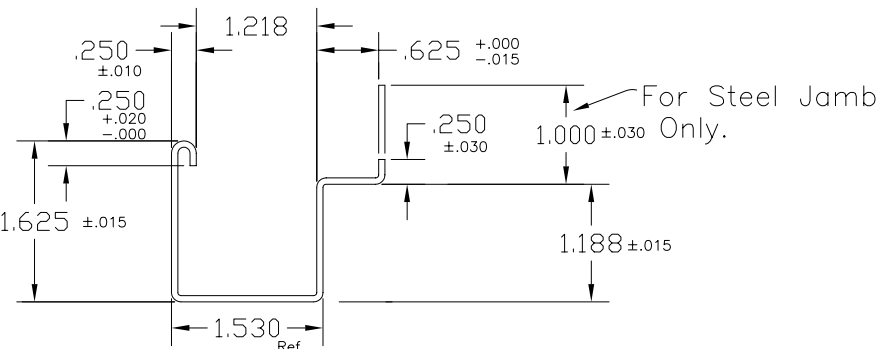
Scale: None



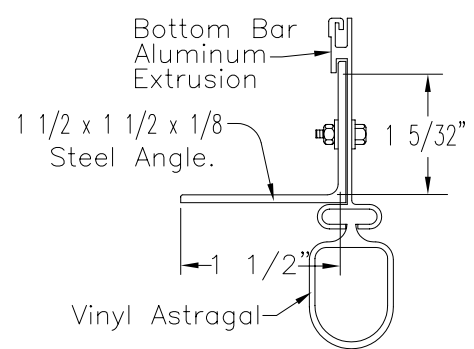
STEEL JAMBS



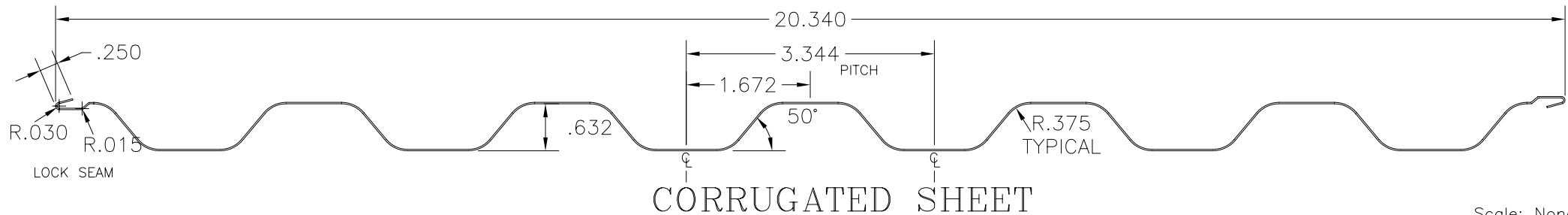
MASONRY JAMBS



501 DOOR GUIDE



BOTTOM BAR



CORRUGATED SHEET

Scale: None

"D"					
"C"					
"B"					
"A"				MANUAL	
DOOR	QTY.	WIDTH	HGT.	TYPE OF OPERATION	SPECIAL COMMENTS

Maximum door size 10'-0" wide x 10'-0" high

MODEL 501

	JOB: _____	DATE: 10-23-03 SHEET: 1
	CONTRACTOR: _____	DRAWN BY: C.D.W.
	ARCHITECT: _____	CHECKED BY: _____
	ADDRESS: _____	DRAWING NUMBER
	DISTRIBUTOR: _____	
	ADDRESS: _____	

10407 Rocket Blvd. Orlando Fl. 32824
 407.859.6770 Fax 407.447.2923 usdoor.com

501-00-120

Oct. 23, 2003