

BUNN®

Pourover Coffee Brewer with 3 Warmers

ITEM# _____

PROJECT _____

DATE _____

Features

Low Profile Pourover Coffee Brewer

- Brews 3.8 gallons (14.4 litres) of perfect coffee per hour.
- Pourover brewer requires no plumbing – completely portable.
- Stainless steel or black finish.
- Three separately controlled warmers.
- SplashGard® funnel deflects hot liquids away from the hand.
- International electrical configurations available.



Model VP17-3*

(decanters not included)

Dimensions: 18.9" H x 8.5" W x 17.7" D
(48cm H x 21.6cm W x 45cm D)



Model VP17-3*

(decanters not included)

Dimensions: 17.8" H x 16.4" W x 17.7" D
(45.2cm H x 41.7cm W x 45cm D)

For current specification sheets and other information, go to www.bunn.com.

* International models may vary in appearance.

Related Products

Paper Filter Pack

Product No. : 20115.0000

Packed per case: 1,000

Dimensions: 4 1/4" Base x 2 3/4" Sidewall
10.8 cm Base x 6.98 cm Sidewall



WX1-warmer

Product No. : 06450.0004

One position warmer



WX2-warmer

Product No. : 06310.0004

Two position warmer



Easy Pour® black decanter

Product No. : 06100.0101

Quantity: 1 (also packaged in quantities of 2, 3, 6, 12, & 24)



Easy Pour® orange decanter (for decaf)

Product No. : 06101.0101

Quantity: 1 (also packaged in quantities of 2, 3, 6, 12, & 24)



Model

Agency Listing

VP17-3 SST



VP17-3 BLK



Dimensions & Specifications

Model	Product #	Volts	Amps	Tank Heater Watts	Total Watts	Brewing Capacity	Cu. Ft.	Shipping Weight	Cord Attached
VP17-3 SS (3 lower)	13300.0003	120	15	1320	1700	3.8 gal./hr.	6.4	29 lbs.	Yes*
VP17-3 BLK (3 lower)	13300.0013	120	15	1320	1700	3.8 gal./hr.	6.4	32 lbs.	Yes*
VP17-3 SS (2 upper)	13300.0004	120	14.1	1320	1700	3.8 gal./hr.	4.7	25 lbs.	Yes*

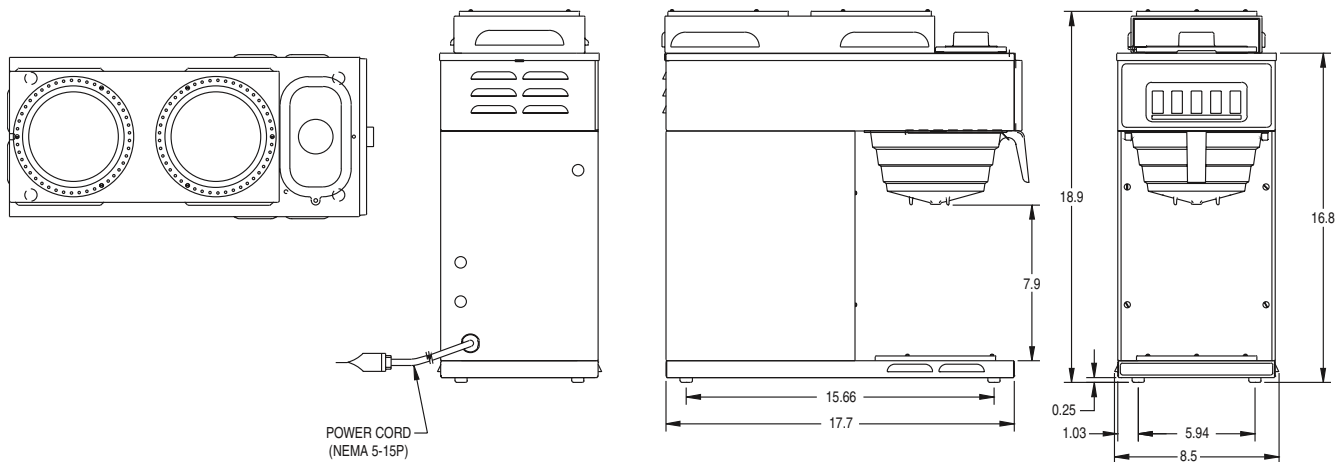
*Power cord (NEMA 5-15P) 15 amp 120 V machine only.

Brewing capacity: based upon incoming water temp of 60°F (140°F rise) per 1/2 gallon brew time of 4 minutes.

Electrical: Models require 2-wires plus ground service rated 120V, single phase, 60 Hz.

Plumbing: No plumbing needed.

2 Upper Warmers



3 Lower Warmers

