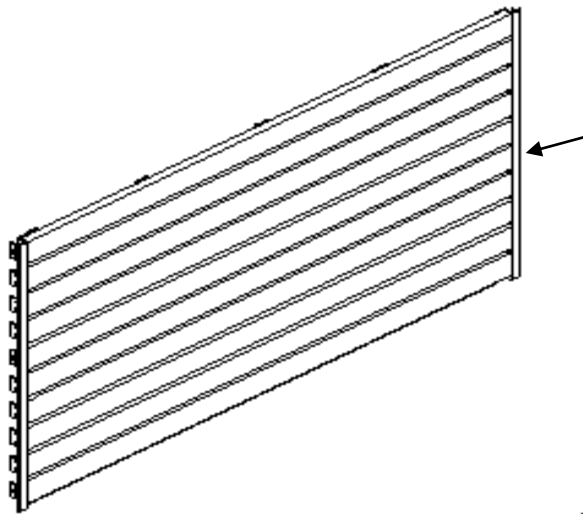


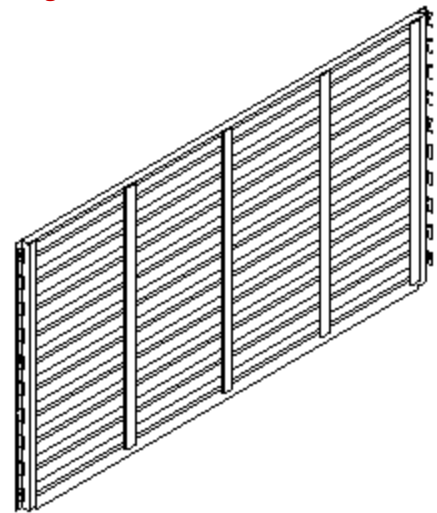
# UNITED PERMANENT RX BAYS & SHELVING



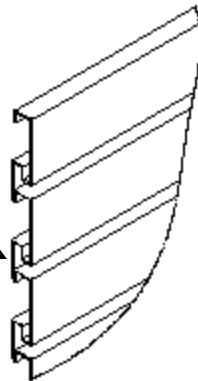
Our United Permanent RX Bay Shelving is constructed with an attractive 2 inch on center slatwall back that is made of soft white powder coated heavy metal. This slatwall is made in small sections (20" H x 48"W, 20"H x 32", 20"H x 16"W) which makes the weight to be manageable for anyone to assemble. The sides of the slatwall have bracket teeth (inserts) similar to metal gondola shelves. It slips into the upright very easily. Anyone can assemble it in a matter of minutes. Each base unit has a leveler so that products can be leveled. What is best is that the weight of the units keeps the center of gravity in the center of the unit, therefore it is not required to anchor the unit into the ground with normal use.



Compactable Metal Slatwall Panels are Available in  
20"H x 48"W  
20"H x 32"W  
20"H x 16"W



2" on Center Slatwall Back



The RX Bays and Shelving are a part of our unique product line, designed and manufactured by United.

Versatile 2" on center Slatwall Back allows usage of standard slatwall accessories

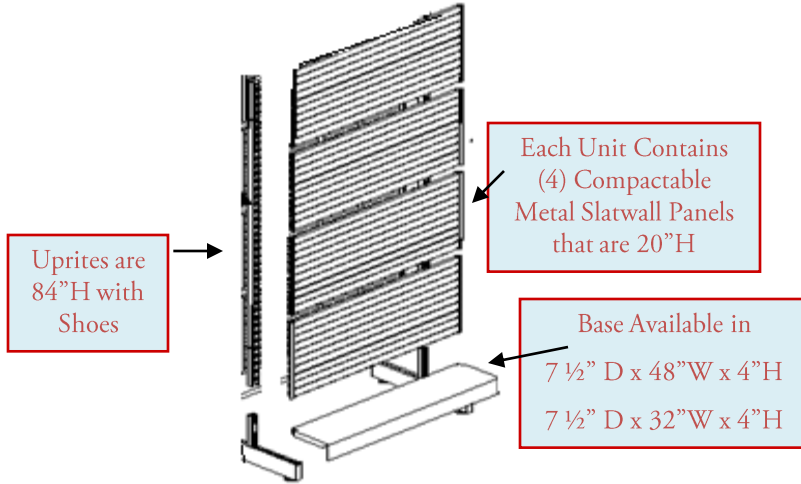


Our United Permanent Pharmacy Shelving has a very simple assembly:

- 1- Insert Uprights into Shoes
- 2- Snap Panels into Uprights
- 3- Snap Assembled Unit In To Base

# UNITED PERMANENT RX BAYS & SHELVING

## UNITED PERMANENT RX WALL UNIT



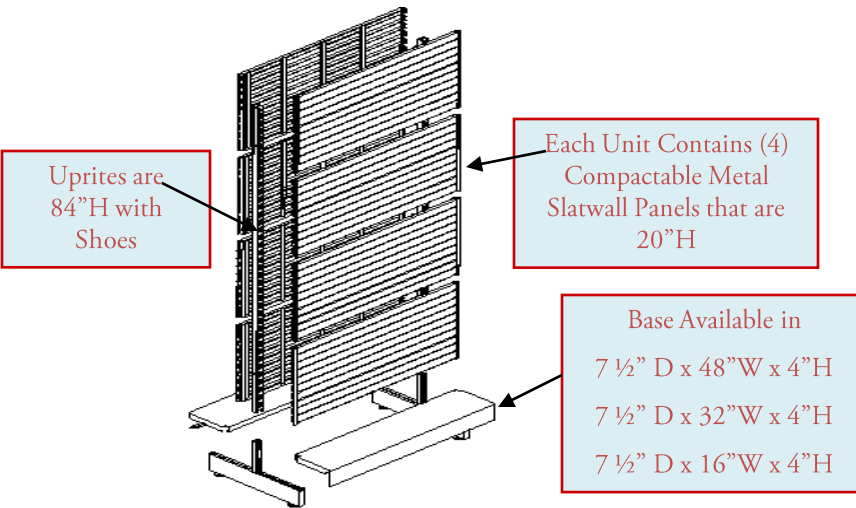
### Wall Unit – 48"

PW4884-S - 48"Lx84"H Starter  
PW4884-A - 48"Lx84"H Add-on

### Wall Unit – 32"

PW3284-S - 32"Lx84"H Starter  
PW3284-A - 32"Lx84"H Add-on

## United Permanent RX Double Sided Unit



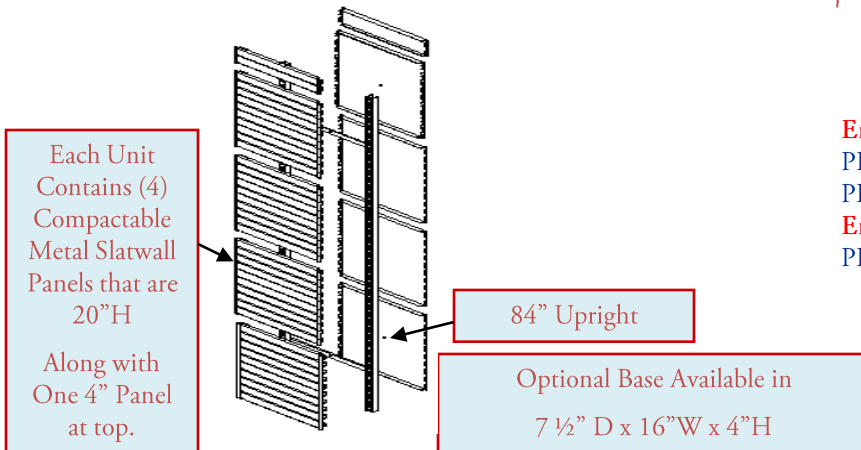
### Double Unit – 48"

PD4884-S - 48"Lx84"H-Starter  
PD4884-A - 48"Lx84"H-Add-on

### Double Unit – 32"

PD3284-S - 32"Lx84"H-Starter  
PD3284-A - 32"Lx84"H-Add-on

## United Permanent EndCap Unit



### End Unit – Single Side Slat

PES1884-B – With Base 18"Lx84"H  
PES1884 - Without Base 18"Lx84"H

### End Unit with Header

PED1684-H- 16"L x 80"H with 4" Header

# UNITED PERMANENT RX BAY SHELVING



Innovative Versatile United Permanent RX Tray shelves are available in our standard style and drop style to fit customer's specific preferences.



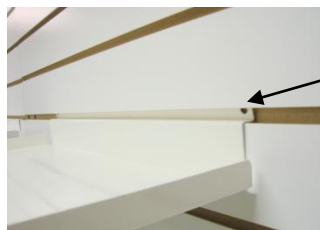
Standard United Permanent Pharmacy Tray Shelf is fit for our United Permanent Metal Slatwall Unit. This tray shelf can also fit into 3" in center Slatwall. Shelf is inserted into groove of Metal Slatwall unit or melamine slatwall in the same manner you would insert a slatwall hook , bracket or other accessory.

Shelves are available in

15 1/2 L x 8"D

32"L x 8"D

48"L x 8"D



Insert Up Into Groove in the same manner you would insert a slatwall hook, bracket or other accessory.

United Permanent Drop Tray Shelf for Pharmacy Units can also fit into 3" in center Slatwall. Drop Trays make it easier for customer to remove shelf while products are on it without dropping anything.

Shelves are available in

15 1/2 L x 8"D

32"L x 8"D

48"L x 8"D



Drop Tray Shelf easily drop down into groove of our Metal Slatwall and any other melamine slatwall.



48"L x 8"D



32"L x 8"D

