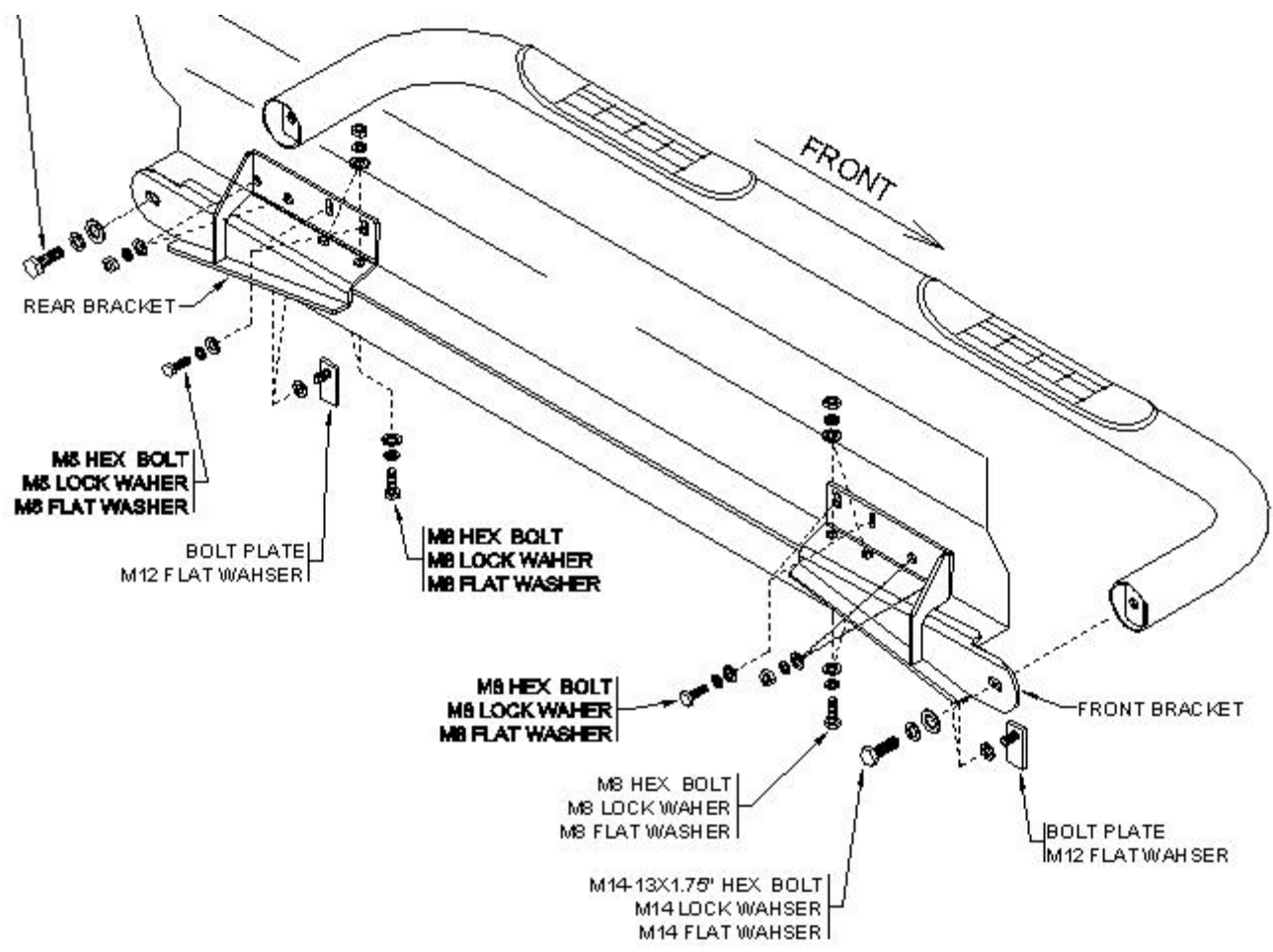


Installation Instruction

Model: 0103-0374

- STEP 1. Remove all contents from the received box and check stainless steel tube for any dent. Also verify all brackets and bolts against the parts list.
- STEP 2. Read installation manual and installation drawing completely. Understand all brackets and bolts before installation.
- STEP 3. Remove all the rubber plugs over mounting holes located on the inside of the vehicle rocker panel. Install bolt plate and M8 "U" nut in to mounting holes as shown.
- STEP 4. Attach front and rear mount bracket by placing bolts through holes as shown.
- STEP 5. Fasten step bars to front bracket and rear bracket using M-14 bolts and washers as shown. Torque M14 bolts to 65 ft.lbs.

0103-0374			
Item No.	Part Number	Part Description	QTY
1	0103-0374-01	STEP BAR - DRIVER, SIDE	1
2	0103-0374-02	STEP BAR - PASSENGER SIDE	1
3	0103-0374-03	MOUNT BRACKET-FRONT-DRIVER SIDE	1
4	0103-0374-04	MOUNT BRACKET-FRONT-PASSENGER SIDE	1
5	0103-0374-05	MOUNT BRACKET-REAR-DRIVER SIDE	1
6	0103-0374-06	MOUNT BRACKET-REAR-PASSENGER SIDE	1
7	0103-0374-11	BOLT PLATE	4
8	0103-0374-12	M12 FLAT WASHER	4
9	0103-0374-13	M12 LOCK WASHER	4
10	0103-0374-14	M12 HEX NUT	4
11	0103-0374-15	M8 HEX HEAD BOLT	16
12	0103-0374-16	M8 SPLIT LOCK WASHER	16
13	0103-0374-17	M8 FLAT WASHER	32
14	0103-0374-18	M8 HEX NUT	8
15	0103-0374-19	M8 "U" NUT	8
18	0103-0374-20	M14 HEX HEAD BOLT	4
19	0103-0374-21	M14 LOCK WASHER	4
20	0103-0374-22	M14 FLAT WASHER	4
TOOLS REQUIRED 1/2" SOCKET / WRENCH 3/4" SOCKET / WRENCH 5/32 HEX WRENCH RATCHET TORQUE WRENCH			



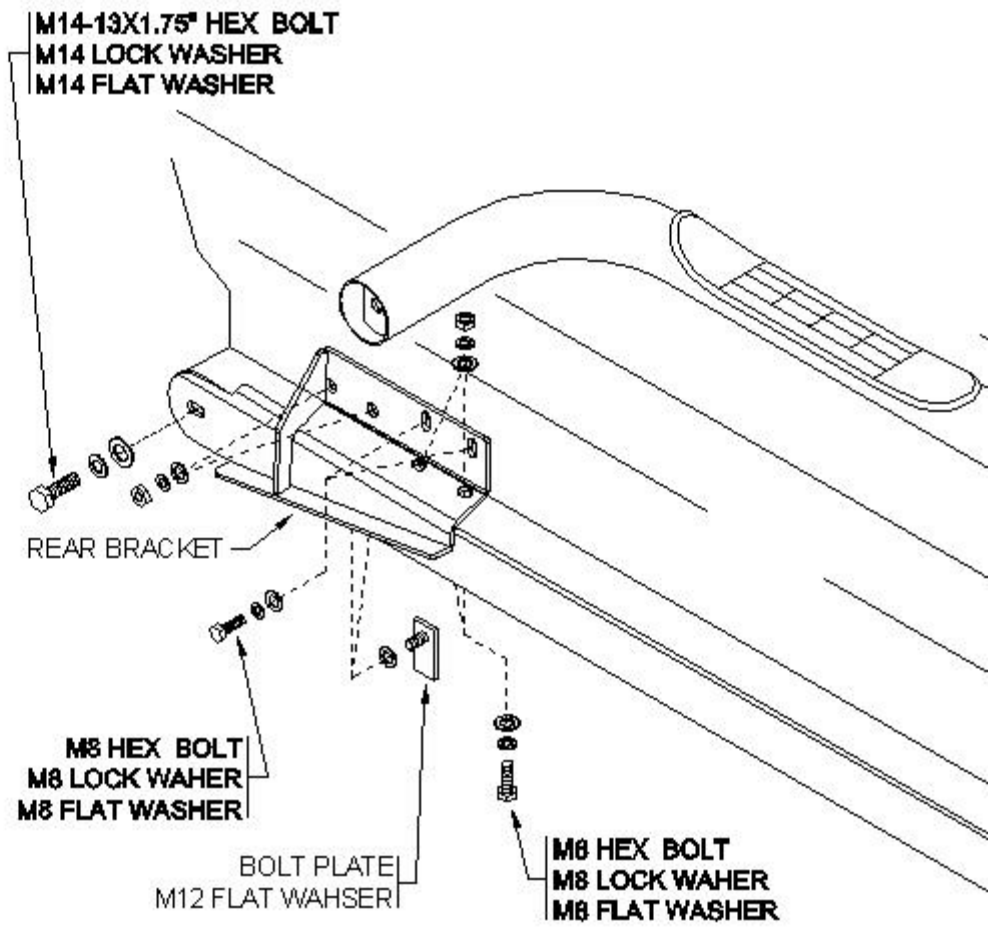
M14-13X1.75" HEX BOLT
M14 LOCK WASHER
M14 FLAT WASHER

REAR BRACKET

M8 HEX BOLT
M8 LOCK WAHER
M8 FLAT WASHER

BOLT PLATE
M12 FLAT WAHSER

M8 HEX BOLT
M8 LOCK WAHER
M8 FLAT WASHER



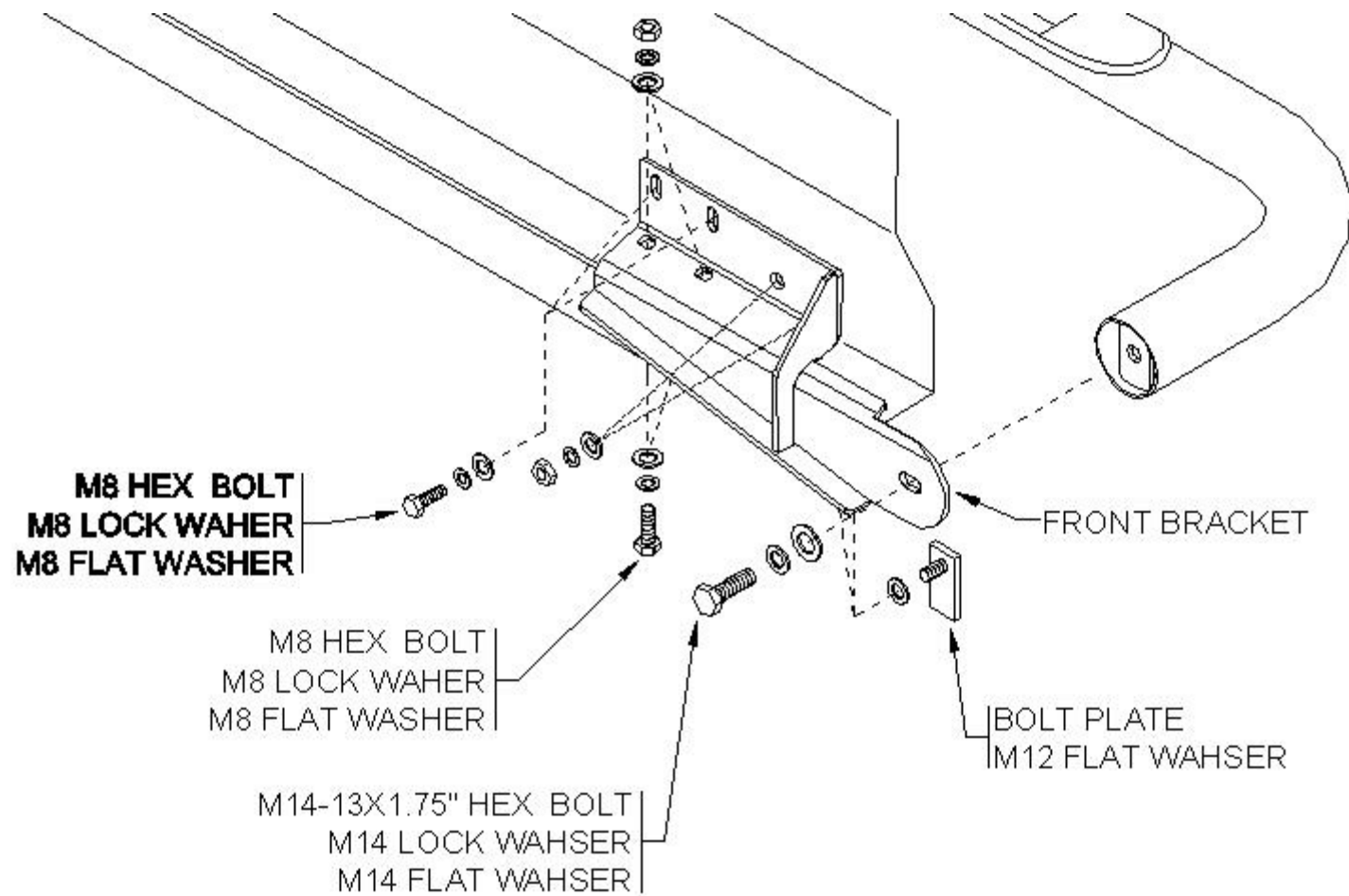
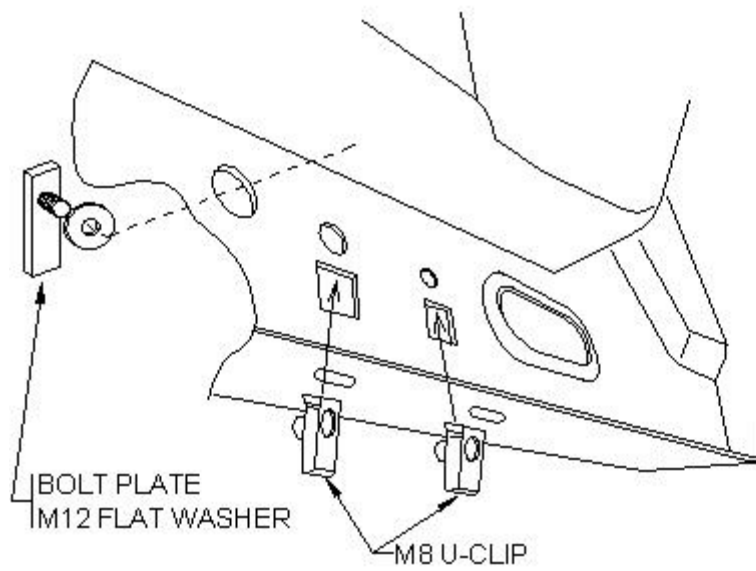
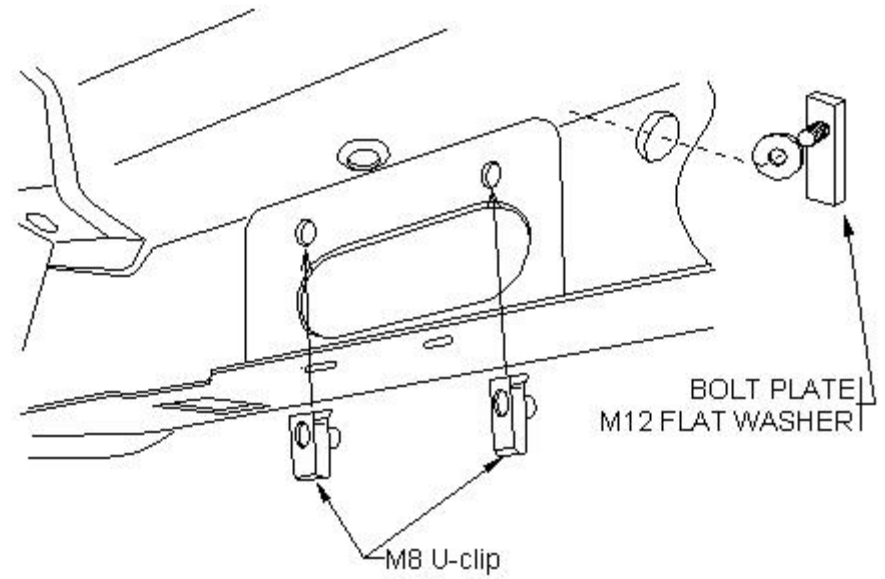


FIGURE 1



DRIVER SIDE, REAR



DRIVER SIDE, FRONT