

# Installation Instruction

## Model : 0103-0105

STEP 1. Remove existing black rubber plugs on each inside face of sheet metal rocker panel.

STEP 2. Install **front mount bracket** and **rear mount bracket** by placing **bolt plate** through hole in body (inside face of sheet metal rocker panel). Leave bolts loose.

STEP 3. Place **support strap** between body **mount bracket**.

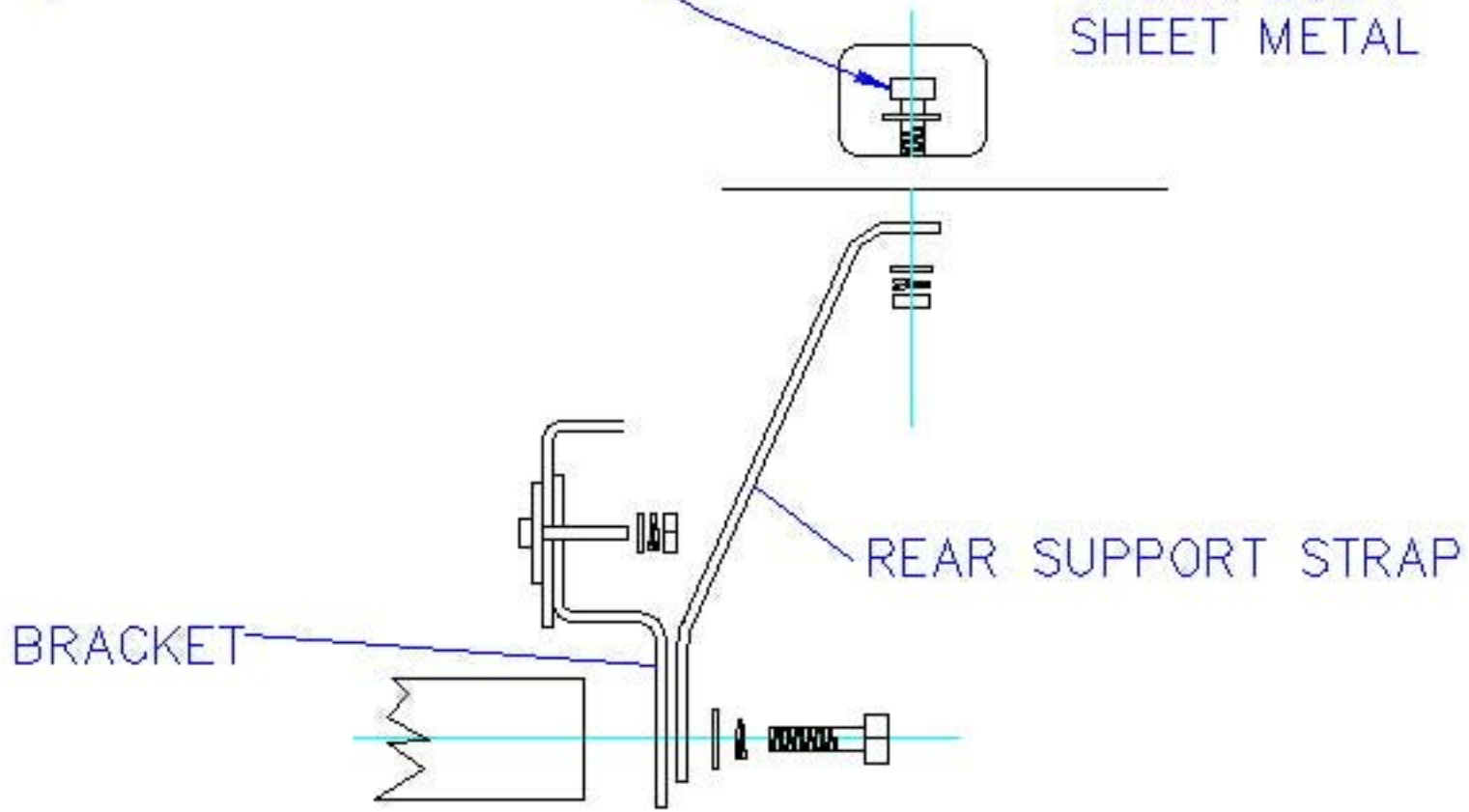
STEP 4. Fasten **step bar** to **mount brackets**. Check to be sure step bar is properly aligned with the truck. Tighten and torque all bolts.

Note : This application is body mount instead of frame mount, which means if you are under your pickup and face toward the door (not frame), remove black rubber plugs on the inside face of sheet metal rocker panel, install mounting bracket by placing bolt through hole (black rubber plug position).

Item No.	Part Number	Part Description	QTY
1	0103-0105-01	STEP BAR - DRIVER SIDE	1
2	0103-0105-02	STEP BAR - PASSENGER SIDE	1
3	0103-0105-03	FRONT MOUNT BRACKETS	2
4	0103-0105-04	REAR MOUNT BRACKETS	2
5	0103-0105-05	SUPPORT STRAP - FRONT	2
6	0103-0105-06	SUPPORT STRAP - REAR	2
7	0103-0105-07	LARGE BOLT PLATE	4
8	0103-0105-08	SMALL BOLT PLATE	1
9	0103-0105-11	1/2"-13 X 1.50" HEX HEAD BOLT	4
10	0103-0105-12	1/2"-13 HEX NUT	4
11	0103-0105-13	1/2" FLAT WASHER	12
12	0103-0105-14	1/2" LOCK WASHER	8
13	0103-0105-15	3/8"-16 HEX NUT	8
14	0103-0105-16	3/8" FLAT WASHER	8
15	0103-0105-17	3/8" LOCK WASHER	8
16	0103-0105-16	M14 X 2.5" HEX HEAD BOLT	4
17	0103-0105-17	M14 X 1" LOCK WASHER	4
18	0103-0105-18	M14 X 1 3/8" FLAT WASHER	4

- 1/2-13x1.5" HEX BOLT

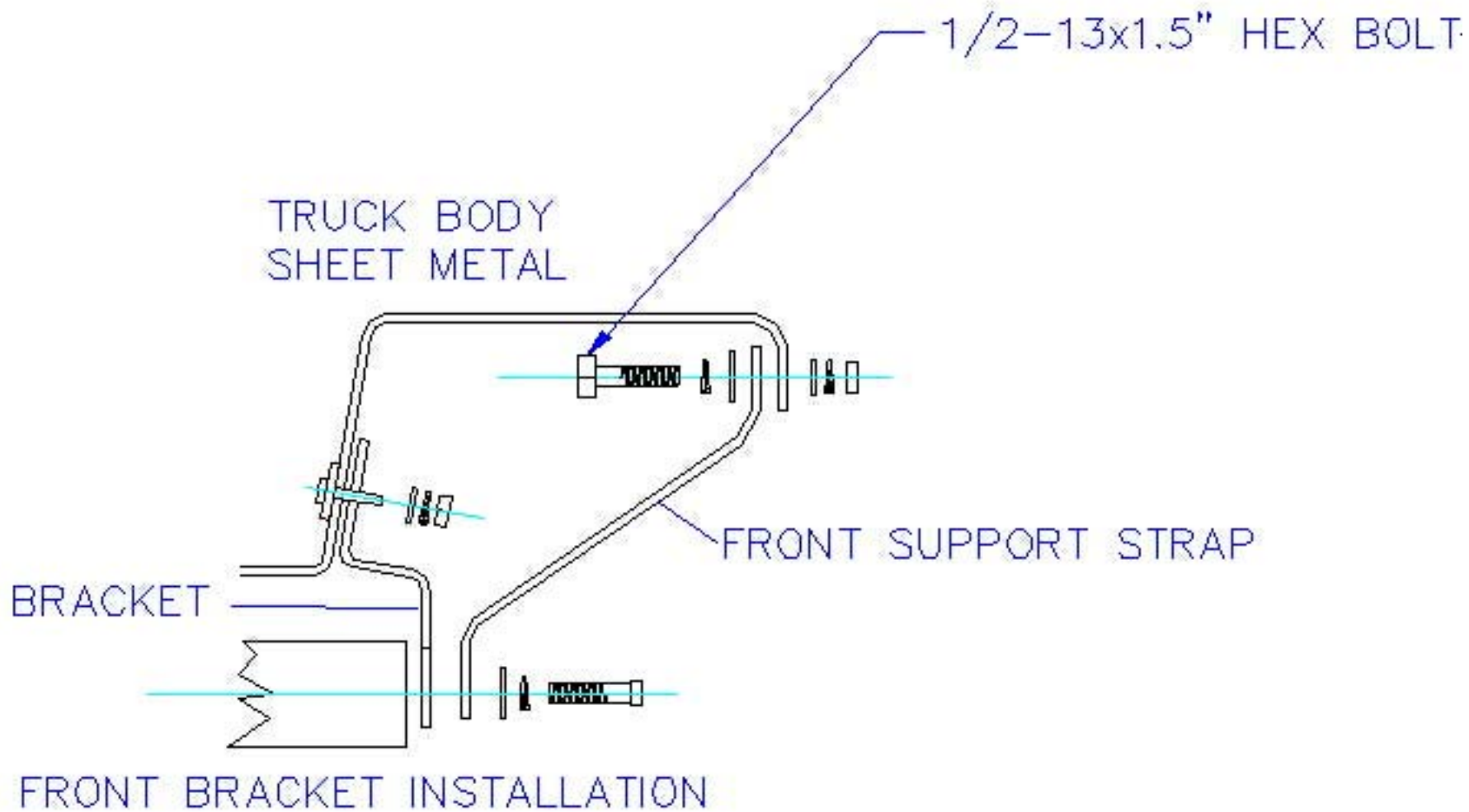
TRUCK BODY  
SHEET METAL

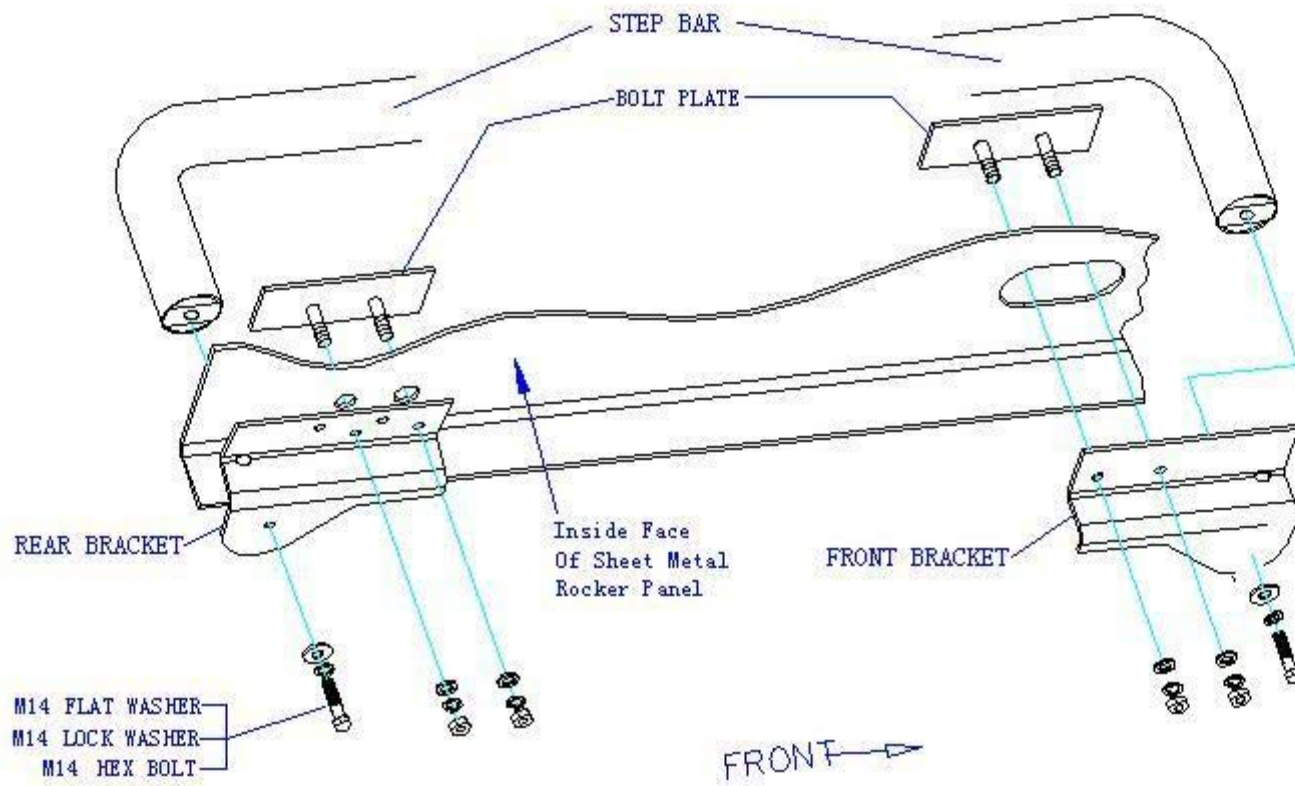


BRACKET

REAR SUPPORT STRAP

REAR BRACKET INSTALLATION





DRIVER SIDE INSTALLATION SHOWN