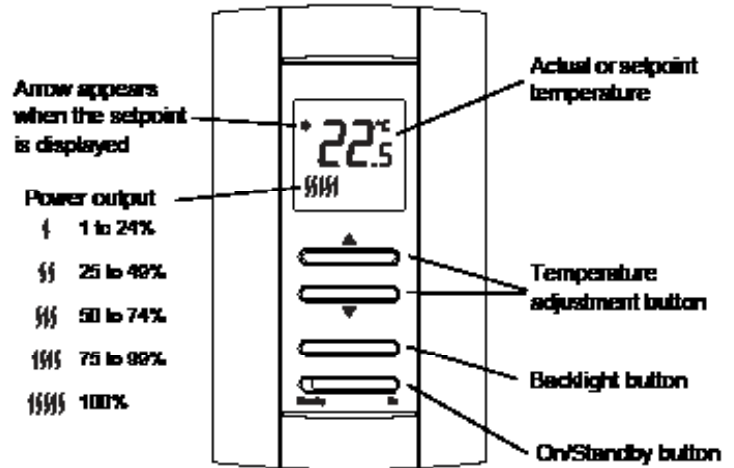


Product Data Sheet

741N - DIGITAL ROOM THERMOSTAT, AIR & FLOOR W/ FLOOR SENSOR



TECHNICAL DATA

Description:	Digital Room Thermostat, Air & Floor with Floor Sensor
Application:	Radiant Floor, Baseboard, Radiant ceiling, Convector or Fan-forced Heater
Mounting:	Vertical
Color:	White
Power Method:	Low voltage 24 VAC
Terminal Designations:	R, C, W
Switch Type:	External electromechanical relay
Sensor Element:	Thermistor length 15 ft.
Ambient Setpoint Range:	40°F - 86°F (5°C to 30°C)
Floor Limit Range:	40°F - 104°F (5°C to 40°C)
Setpoint Resolution:	1.0°F (± 0.5°C)
Display Resolution:	1.0°F (± 0.5°C)
Storage:	-4°F to 122°F (-20°C to 50°C)
Size (H • W • D):	4.89 x 2.76 x 0.91 in (124 x 70 x 23 mm)
Maximum Load:	0.5 A / 24 VAC
Heating Cycle Length:	15 minutes
Operating Temperature:	32°F to 122°F (0°C to 50°C)
Wire gauge:	14 to 22 AWG

The 741N delivers the features that matter most in a non-programmable thermostat: an easy-to-read backlit display, slim contemporary design and precise temperature control.

It can be used to control ambient or floor temperature. The 741N controls and displays the ambient temperature, maintains the floor temperature within desired limits using an external temperature sensor.

741N INCLUDES:

1. Advanced temperature control ensures total comfort by minimizing temperature swings
2. ON/STANDBY switch enables thermostat shutdown at the end of heating season for added security
3. On-screen heating power indicator gives at-a-glance verification of power being used
4. Backlit display
5. Battery-free

COMMON APPLICATIONS:

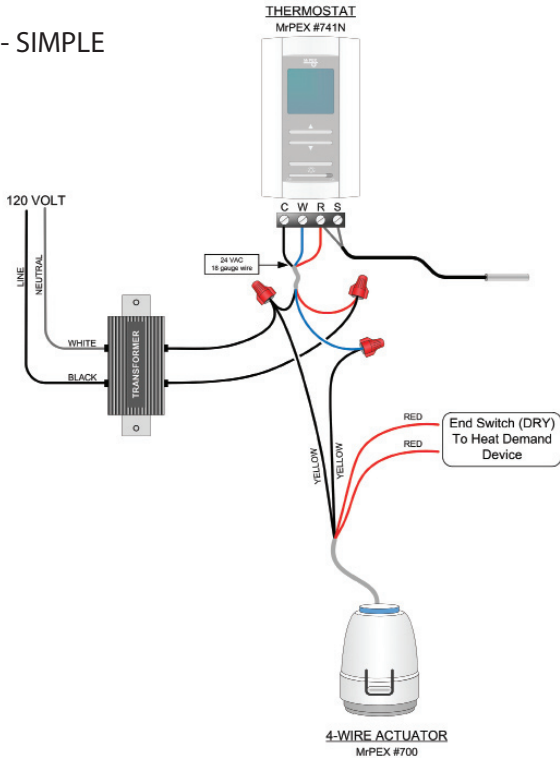
Floor heating system is primary heat source and safety and security of a floor temperature limit is desired. (Limiting the floor temperature helps prevent damage to certain flooring, especially wood.) or floor heating system is secondary heat source, e.g., floor heating is added to a bathroom in a centrally heated home.

ORDERING DATA

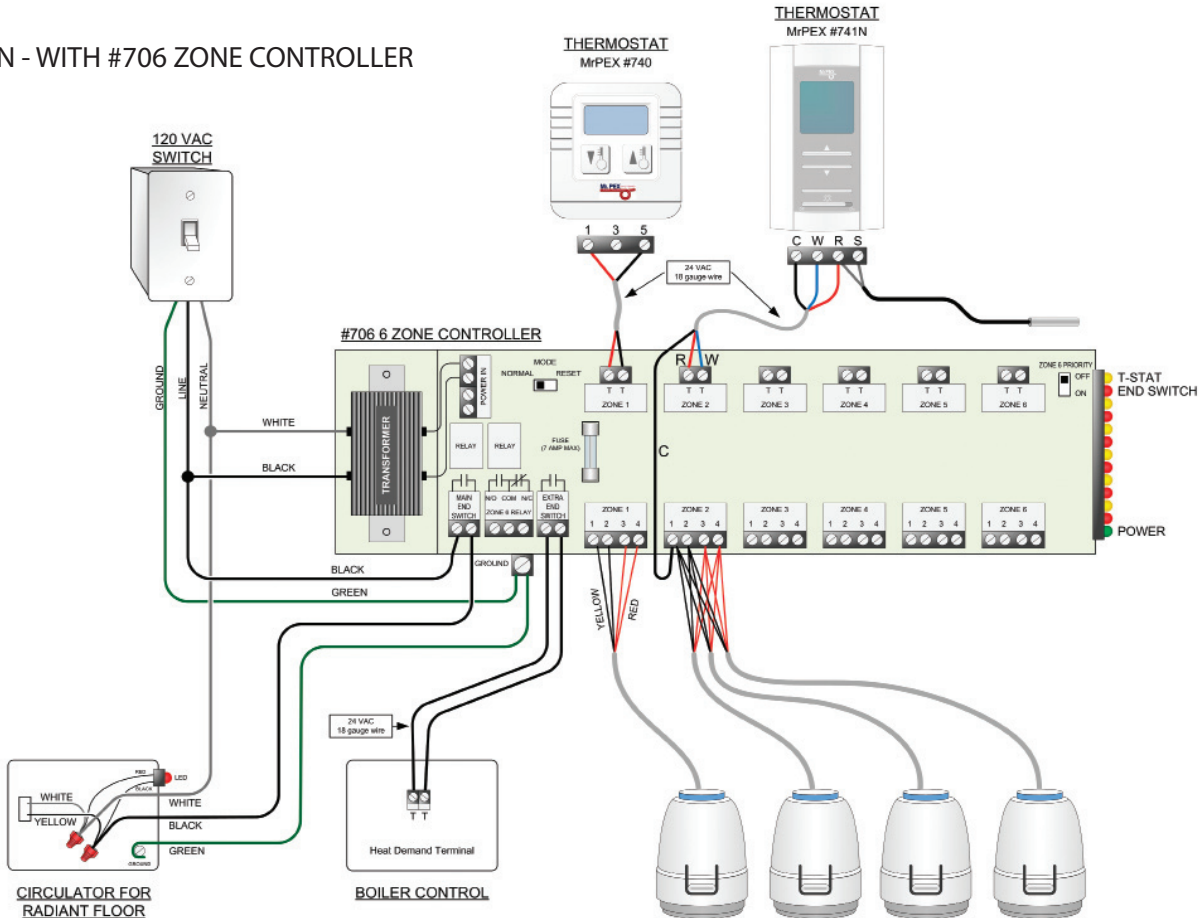
Part #	Type
741N	Digital Room Thermostat, Air & Floor w/ Floor Sensor

741N - DIGITAL ROOM THERMOSTAT, AIR & FLOOR W/ FLOOR SENSOR

741N - SIMPLE



741N - WITH #706 ZONE CONTROLLER



RAMcourtesyPEX SYS 9-09