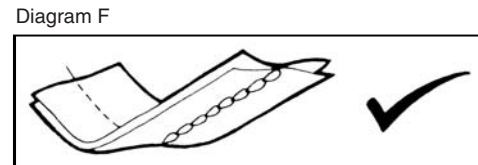


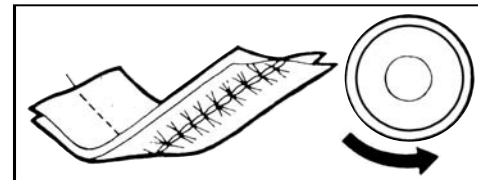
## CHECKING THE QUALITY OF THE STITCH

Check your stitches against the illustrations (diagram F):

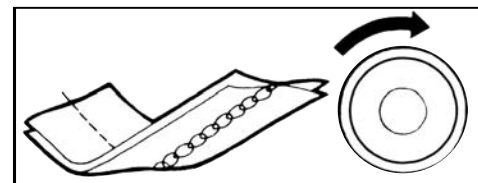
1. Shows the correct stitch.



2. If the stitches are too tight. Reduce the tension by gently turning the tension dial in the direction as shown (counter-clockwise).



3. If the stitches are too loose. Increase the tension by gently turning the tension dial in the direction as shown (clockwise).



## MISSED STITCHES

These can be due to an incorrectly threaded machine, the wrong needle being fitted, a blunt or bent needle used or incorrect tension. All of these should be checked if you experience the problem.

## CARING FOR YOUR MACHINE

- Do not attempt to sew thick material or force the hand wheel.
- Change the batteries when you notice that the machine is working at a slower speed than usual.
- Never use liquids to clean the machine - always use a dry cloth.
- Never take the sewing machine apart - there are no serviceable parts inside.

**WARNING: PRODUCT CONTAINS A SHARP NEEDLE AND SHOULD BE USED UNDER THE DIRECT SUPERVISION OF AN ADULT.**

**CAUTION: THIS TOY CONTAINS A FUNCTIONAL SHARP POINT.**



Visit our website: [www.nsi-int.com](http://www.nsi-int.com)

Ages 8 and up

# Sew Easy™ Sewing Machine

No. 7520

### Dear Customer,

We hope you enjoy our Sew Easy™ Sewing Machine. If you find that we have made an error or if something is missing or damaged, let us know so that we can correct the problem for you. Please include the following information:

- Name of item
- Date of Purchase
- Purchase Price (please include sales slip)
- Model number
- Place of Purchase
- Brief description of the problem

Do not return the kit to the store where you purchased it, they will not have the replacement parts!

Send all correspondence to: **NSI International, Inc.**

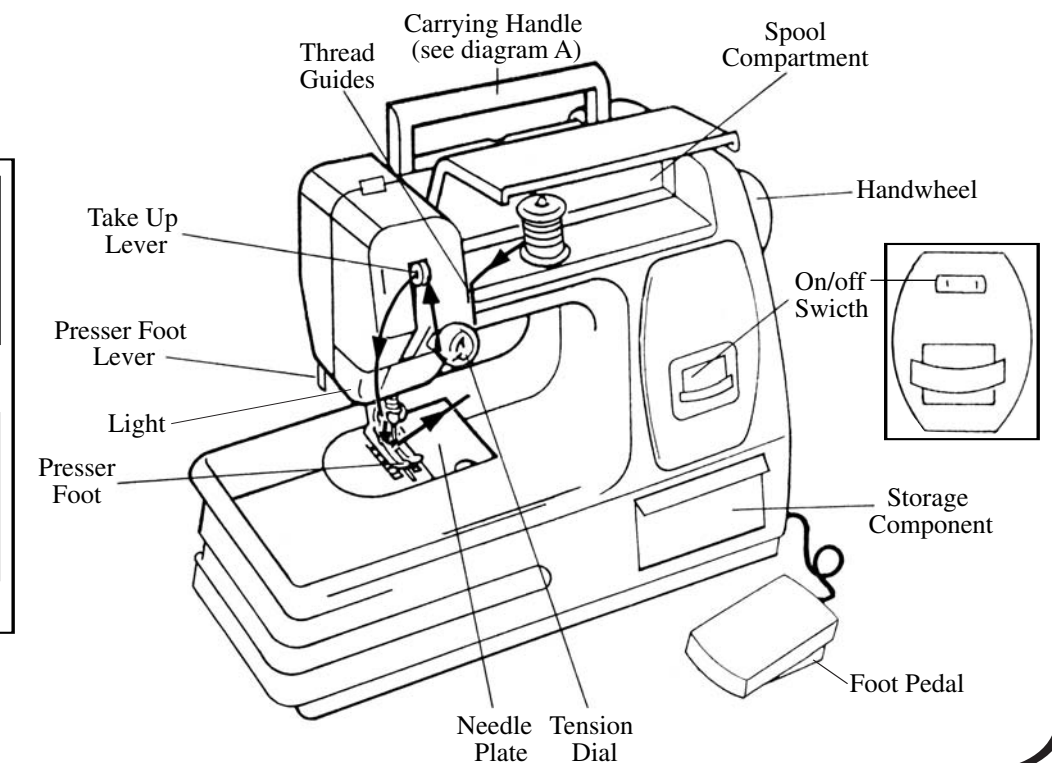
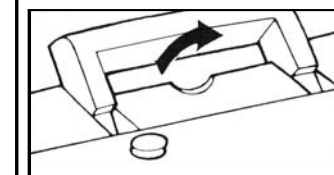
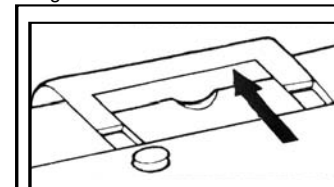
105 Price Parkway

Farmingdale, NY 11735-1318

Attn: Quality Control Department

## YOUR SET INCLUDES THE FOLLOWING ITEMS:

Diagram A



## PREPARATION

You should organize your supplies away from carpeting and upholstery on a suitable working area such as a kitchen table. Always cover your work area with scrap paper to protect it. Please keep this sewing machine out of the reach of very young children. Please read these instructions before using your new sewing machine. Ask an adult to assist you.

**REMOVE YOUR SEWING MACHINE CAREFULLY FROM THE BOX. PLACE THE SEWING MACHINE ON A FLAT SURFACE WHERE A CHAIR CAN BE PLACED FOR YOU TO SIT ON IN ORDER TO OPERATE THE SEWING MACHINE SAFELY.**

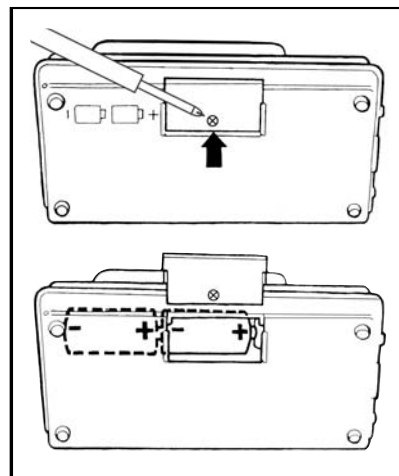
## INSERTING THE BATTERIES

**WARNING: DO NOT USE RE-CHARGEABLE BATTERIES (i.e. nickel cadmium). ADULT SUPERVISION RECOMMENDED.**

We recommend the use of alkaline batteries.

To insert batteries into the machine you will need a Philips screw driver. To remove the screw turn counter-clockwise removing the screw, the cover will then lift off. Fit 2 x 1.5 volt batteries (type R20, HP2 or D) in the compartment as shown in diagram B. Now replace the cover and fasten the screw turning clockwise to tighten. Do not mix different types of batteries (i.e. alkaline and zinc carbon) or old and new batteries together. Always make sure that you dispose of the old batteries carefully (never burn or puncture an old battery). Make sure you remove the batteries from the machine if you are not going to use it for a long time. **THIS SEWING MACHINE HAS ALREADY BEEN THREADED, READY FOR YOU TO USE FOR THE FIRST TIME.**

Diagram B



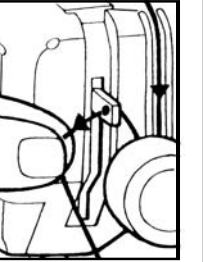
## HOW TO SEW

Push the on/off switch to turn the power on. Lift the presser foot by using the presser foot lever. Place the material under the presser foot and lower the lever. Sew a few stitches first, by turning the hand wheel in the direction of the arrow. Press the foot pedal and start to sew normally. When the line of stitching has been completed, release the foot pedal. Stop sewing before you reach the edge of the fabric.

## LOCKING THE STITCH

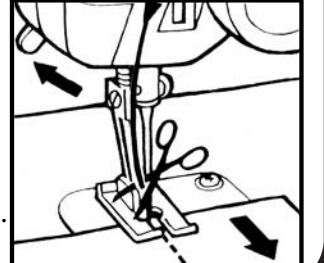
To prevent the stitch from unraveling after you have finished sewing you can lock the stitch by following these instructions. Pull a length of thread through the tension dial to release the tension on the needle (see diagram C). Lift the presser foot and turn the hand wheel in the direction of the arrow to lift the needle out of the material.

Diagram C



You must cut the thread (see diagram D) using scissors (not included), with adult supervision, before removing your fabric from the machine otherwise your stitches will pull away. Remove the fabric by pulling it toward you and the stitch will be locked automatically. (If your machine jams or the thread catches in the lower part of the sewing mechanism, you can remove the material by gently turning the hand wheel until the fabric or thread can be removed from the machine).

Diagram D



## THREADING YOUR SEWING MACHINE

Use cotton or polyester thread in this machine when the thread supplied has run out. Lower the presser foot using the presser foot lever. After placing the spool of thread in the spool compartment, pass thread through the thread guide as shown in diagram E. (Make sure you place the thread between the machine and the tension dial.) Raise the needle to its highest position by turning the hand wheel in the direction of the arrow and thread the needle from left to right. Pass the thread under the presser foot, between the forks and to the rear of the machine.

Diagram E

