

# KOBRA

## MOUNTING , OPERATION AND MAINTENANCE INSTRUCTIONS

## ISTRUZIONI PER INSTALLAZIONE ,USO E MANUTENZIONE

## ISTRUCTIONS DE MONTAGE, UTILISATION ET MAINTENANCE

## INSTALLATIONS-,BEDIENUNGS- UND WARTUNGSHANDBUCHER FUR BOOTEINGENTUMER

## INSTRUCCIONES PARA MONTAJE, USO Y MANTENIMIENTO

<b>GB</b>	Important additional safety information	pg.2	Installation	pg.3	Parts list	pg.17
	Warranty	pg.2	Operations	pg.4	Wiring diagram	pg.18
	Model classification	pg.2	Maintenance	pg.4	Exploded diagram	pg.19
	Electric plant	pg.2	Ordering spare parts	pg.4	Lofrans sales organization	pg.20
<b>I</b>	Informazioni sulla sicurezza	pg.5	Installazione	pg.6	Lista dei componenti	pg.17
	Garanzia	pg.5	Uso	pg.7	Schema elettrico	pg.18
	Identificazione del modello	pg.5	Manutenzione	pg.7	Disegno esploso	pg.19
	Impianto elettrico	pg.5	Modalità di richiesta ricambi	pg.7	Organizzazione Lofrans'	pg.20
<b>F</b>	Informations concernant la sécurité	pg.8	Notice d' installation	pg.9	Nomenclature des pièces	pg.17
	Garantie	pg.8	Utilisation	pg.10	Schéma électrique	pg.18
	Model classification	pg.8	Entretien	pg.10	Eclaté des pièces	pg.19
	Branchement électrique	pg.8	Commande de pièces détachées	pg.10	Distributeurs Lofrans'	pg.20
<b>D</b>	Wichtige zusatzinformationen	pg.11	Einbauhinweise	pg.12	Teile liste	pg.17
	Garantie	pg.11	Betriebsanleitung	pg.13	Schaltplan	pg.18
	Modellbeschreibung	pg.11	Wartung	pg.13	Ersatzteilliste	pg.19
	Elektrische verbindungen	pg.11	Ersatzteilbestellung	pg.13	Lofrans' Händlerliste	pg.20
<b>E</b>	Información sobre seguridad	pg.14	Montaje	pg.15	Depiezo de los molinete	pg.17
	Garantias	pg.14	Uso	pg.16	Esquema eléctrico	pg.18
	Identificación del modelo	pg.14	Mantenimiento	pg.16	Esquema de piezas	pg.19
	Instalación eléctrica	pg.14	Como pedir recambios	pg.16	Organización Lofrans'	pg.20

**WARNING !** your windlass is not designed as a strong point to fasten your anchor rode (chain or rope) to when the boat is laying on it's anchor and surging. The anchor rode must be fastened to a strong point such as mooring cleat, bollard or chain storage.

**WARNING !** do not exceed a pulling load more than the rating of your windlass. The vessel's engine be running and used to assist in the anchor recovery.

**WARNING !** always install the properly rated circuit breaker to protect the electric plant and electric motor from overheating and damages.

**WARNING !** when not in use be sure to keep the anchor windlass circuit switch in the **Off** position to prevent accidental engagement of the windlass.

**WARNING !** always keep your hands, feet and fingers clear of an operating windlass. If a jam occurs use extreme caution and turn off the windlass circuit before attending to clearing the anchor rode.

**WARNING !** do not use the windlass for different purposes it was designed for.

**WARRANTY**

Lofrans' S.r.l. warrants its products for a period of one (1) year from the date of purchase against defects in materials or workmanship , under normal use and service. Any part which proves to be defective in normal usage during that one year period will be repaired or replaced by Lofrans'. This warranty is subjected to the conditions listed below.

Lofrans' liability shall be limited to repair or replacement of the part defective in materials or workmanship.

Lofrans shall not be liable in any way for failures due to use of products in applications for which they are not intended , improper installation , misuse , incorrect maintenance , corrosion , normal wear and tear , discoloration and unauthorised alteration of the product, conditions that exceed the product 's performance specifications.

The claim of warranty must be promptly notified in writing , to Lofrans or Lofrans' authorised distributor, providing proof of purchase. Repair will be under taken upon return of the defective part , freight prepaid to Lofrans or Lofrans authorised distributor. Lofrans or its authorised distributor will not be responsible for any shipping charges or labour cost associated with any warranty claims. Lofrans shall not be liable for consequential damages to yachts , equipment or other property or persons due to use or installation of Lofrans equipment. Implied warranties are limited to the life of this warranty. All incidental and/or consequential damages are excluded from this warranty. Some states do not allow limitations on how long an implied warranty lasts or the exclusion or limitation of incidental or consequential damages , so the above limitation or exclusions may not apply to you.

**Lofrans' reserves the right to disclaim the warranty in case the windlass is controlled by not suitable electric accessories and/or in case of non installation of a proper circuit breaker on the windlass electric line.**

**MODEL CLASSIFICATION**

FOR YOUR OWN SAFETY PLEASE READ THESE INSTRUCTIONS BEFORE INSTALLING OR OPERATING YOUR WINDLASS.

Fill in this form to obtain a complete classification of the installed model.

<b>MOTOR</b>	700 Watt 12 Volt	<input type="checkbox"/>	700 Watt 24 Volt	<input type="checkbox"/>
	1000 Watt 12 Volt	<input type="checkbox"/>	1000 Watt 24 Volt	<input type="checkbox"/>
<b>CHAIN AVAILABLE</b>	Ø 6 Iso - 6 Din 766 - 1/4"	<input type="checkbox"/>	Ø 10 Iso - 10 Din 766	<input type="checkbox"/>
	Ø 7 Iso - 1/4" G40	<input type="checkbox"/>	Ø 3/8" - 3/8" Din 766	<input type="checkbox"/>
	Ø 8 Iso - 8 Din 766 - 5/16"	<input type="checkbox"/>	Ø 3/8" G40	<input type="checkbox"/>
	Ø 5/16" G40	<input type="checkbox"/>	Ø 3/8" BBB	<input type="checkbox"/>
	<b>OPTIONAL</b>	Free Fall version	<input type="checkbox"/>	

**PURCHASE DATE & PLACE** \_\_\_\_\_

**NOTES** \_\_\_\_\_

**SERIAL NUMBER** \_\_\_\_\_

**ELECTRIC PLANT**

Check that the motor tension corresponds to the electric plant on board. The following table shows the suggest minimum battery feeding the windlass , the minimum suggested cable section and the proper circuit breaker to install on the power line.

MOTOR	BATTERY	CABLES SECTION		CIRCUIT BREAKER
700 Watt 12 V	100 Ah	25 mm <sup>2</sup>	3 AWG	70 Amps
700 Watt 24 V	70 Ah	16 mm <sup>2</sup>	4 AWG	35 Amps
1000 Watt 12 V	150 Ah	35 mm <sup>2</sup>	2 AWG	100 Amps
1000 Watt 24 V	90 Ah	25 mm <sup>2</sup>	3 AWG	70 Amps

If the windlass is fed by an inferior battery , the performances will be worse and the battery will be subject rapidly to wear and tear. We recommend to use excellent quality cables , insulated and heat resistant. It is important underline the cables section should be increased of 30% - 50% approx., if the length of the extended cable , positive and negative , is greater than 10 mts. or 29' length. The cables connected to the electric controls , shown on the wiring diagram as a thin line , should have a section of 1.5 mm<sup>2</sup> or 16 AWG approx.

**Circuit breaker informations referring only to LOFRANS' circuit breaker so they could be incorrect for other circuit breakers.**

The circuit breaker protects from very dangerous short circuits , protects the windlass motor , avoiding damages due to anomalous absorption and interrupts the tension , when desired. The circuit breaker must be installed in a dry , accessible and visible position . For safety reasons we recommend that the windlass and remote controls are isolated during navigation and reactivated when anchoring. Install the control box preferably in a dry place on board. We recommend to install at least two remote controls to drive the windlass in case one of them gets damaged.

For protection of electric remote controls, it will be necessary to install a circuit breaker of 5 Ampere.

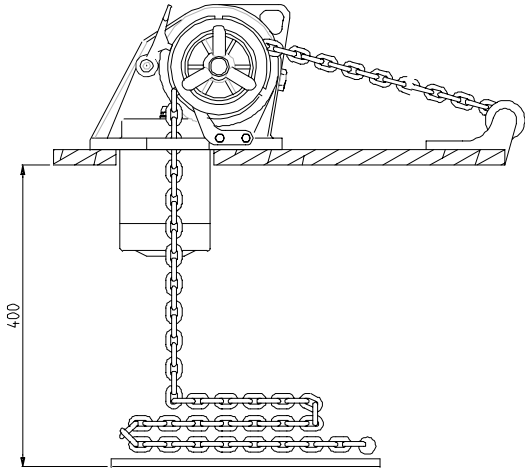
**We recommend You to use original LOFRANS' components only , which are designed for sea water purpose. LOFRANS equipment conforms to European Directives, products are CE approved.**

Check if the windlass is complete in every parts. If any parts is missing or damaged , please contact your dealer.

**TOOLS AND MATERIALS  
REQUIREMENTS**

Drill  $\varnothing$  9 mm (3/8"), Spanner 10 mm A/F - 13 mm A/F  
Jig Saw, Power Drill , Silicone Sealant

**The electric motor of the windlass is able to operate under spray conditions ; however , if submerged , it could be irreparably damaged.**



Check there are no deck obstructions. Be sure there is ample room to enable you to use the handle (352). In order to facilitate maintenance operations Lofrans suggest to install the windlass on a removable panel fixed on the deck by bolts. If the deck is too thin or inadequate , it will be necessary to use a backing pad (plywood , timber ) of sufficient dimensions to spread the stress imposed during recovery of chain. **To avoid electrolysis problems do not use stainless steel pad as backing pad.** For boats of steel or aluminium , it is very important insulated the windlass from the deck with the non conductive gasket.

The windlass must be placed where the chain locker has the max depth.

Ensure the chain locker is of sufficient capacity to store all the chain and leave a minimum of 400 mm (16") between underside of the deck and the top of the heaped chain.

The windlass must be located with the gipsy in line with the bow roller.

The chain must turn around the gipsy with a rotation of 90° approx.

When the position has been set , drill the holes. Fit the windlass on the deck using bolts and nuts M10 or equivalent in stainless steel.

Join the electric cables from the control box and the battery to the electric motor as the wiring diagram shows.

Introduce the chain into the gipsy , operate the "UP" switch of the foot switch or remote control and the chain will automatically be fed into your locker.

Take care to keep hands and feet well clear of incoming chain. If the windlass runs in wrong direction , change over M1 and M2 cables at the control box.

After using the windlass , we strongly recommend that the nuts are checked again to ensure they are well tightened.

**WARNING ! = Do not approach with hands or feet near the gipsy and chain , when operating.**

**WARNING ! = When the windlass is not in use or before use the handle , turn off the windlass at the main switch .**

**WARNING ! = Engage the chain stopper after anchoring. Windlass must not be used as sole means securing anchor in bow fitting. Anchors should be independently secured to prevent accidental release .**

**WARNING ! = Be sure the clutch and the chain stopper are well engaged before boating.**

### Gipsy Clutch Operation

Gipsy is connected at the main shaft (329) by a clutch , items (318 and 277).

To engage the clutch insert the handle supplied into the wingnut (317) and tighten it until you cannot move the handle any more.

To disengage the clutch loose the wingnut.

### Raising The Anchor

Start the engine of the boat. Be sure that the clutch is well engaged. Draw out the handle from wingnut.

Push the button "UP" of the foot switch or remote control. **Do not use the windlass to pull the boat to the anchor.**

Release the button "UP" to stop the manoeuvre.

When you haul the last metres of the chain , pay attention to the anchor, which may damage the bow of your boat.

If case the anchor be stranded and the Lofrans circuit breaker gets released , wait some minutes before put it back into service and try the manoeuvre once more. Should the circuit breaker stop again , we suggest to fix the chain to a cleats or bollard , then use the boat engine to break the anchor loose.

For your safety we strongly recommend to turn **OFF** the circuit breaker and engage the chain stopper during navigation. Reactivate the circuit breaker and disengage the chain stopper before anchoring.

### Lowering The Anchor

When you wish to lower the anchor very quickly , it is necessary disengage the clutch. The gipsy may freely run on its shaft and release the chain into the water. The chain fall can be controlled tightening the gipsy cap with the handle . At the end of the operation engage the clutch.

Under usual conditions , we suggest to lower the anchor electrically , pushing the button "DOWN" placed on the remote control or foot switch.

You will have always a perfect control of the manoeuvre , which can be interrupted any moment releasing the button "DOWN" .

Once anchored , we suggest in order to reduce the windlass load , to use a chain stopper and fix the chain with a rope to a strong point as a cleat.

### Use Of The Drum Independently From The Gipsy

Stop the run of the chain , fasten it to a strong point as a chain stopper or similar. Disengage the clutch. Turn clockwise around the drum with two laps of rope. Keep the end of rope. Push the button "UP" , recovering the rope at the same time. Engage the clutch at the end of the operation.

### Raise The Anchor In Case Of Emergency

Insert the handle into the emergency wheel (340). Draw it forward and backwards alternatively. As there is no ratio , please keep in mind in case of deep anchoring the stress will be hard.

## MAINTENANCE

**WARNING ! = Before operate turn the windlass off at the main switch and remove with attention the chain from the gipsy .**

A correct and periodic maintenance operation is essential for the best efficiency of your windlass. At least once every month remove the salt layer , which forms periodically on the outer casting , to avoid electrolysis problems which could prejudice the windlass performances. Wash with a fresh water and clean all the surfaces , particularly in the most hidden points , where salts deposits. We recommended , at least once every six months , to disassemble the windlass gipsy following the instructions below.

Remove (316). Using the handle unscrew (317) , remove (318) then unscrew (217) , remove (226 and 335). Remove (276) and extract (277).

Clean and check all the parts , spray all with CRC 3097 "LONG LIFE" or WD40. Watch if there are no electrolysis traces and grease the main shaft thread.

After a long inactivity period , the electric motor could run slowly. We recommend to check and clear the brushes and replace it if necessary.

We strongly recommend to separate , at least once every year , the windlass from the deck to clean and remove the salt layer under the base.

The gearbox is proper filled with SAE 90 long life oil. If there is a leak of oil from the body , it will be necessary to disassemble and replace the seals.

For this purpose , it is available a complete set of seals. At the beginning and at the end of the season , check the motor and control box, removing eventual residues and covering the terminals with grease .

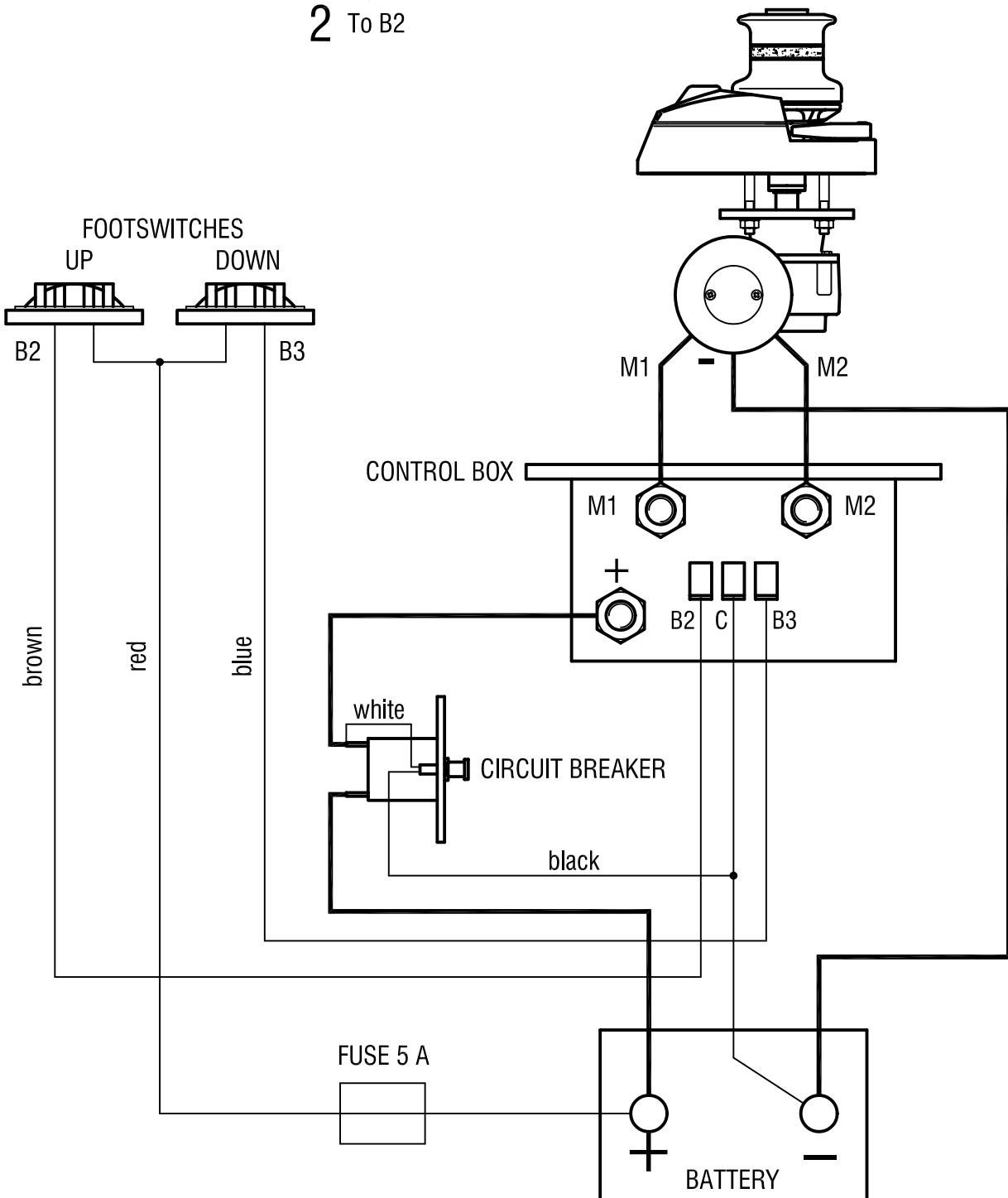
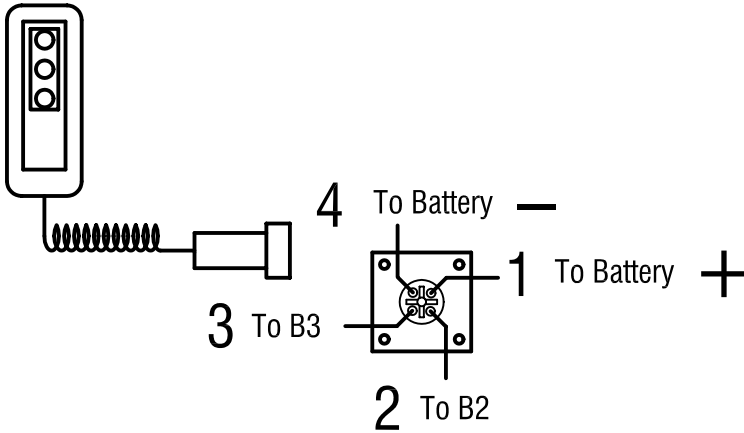
## ORDERING SPARE PARTS

To identify a windlass spare parts see the spare part list. When ordering spare parts , please specify for the KOBRA model the code **B.08.101** , give us a complete model classification , the serial number , the item number and the quantity.

Contact the nearest authorised LOFRANS' distributor or directly LOFRANS' S.r.l. fax + 39 (039) 2004299 .

### REMOTE CONTROL VEGA

### ROCKER SWITCH TYPE C







## LOFRANS' SALES ORGANIZATION

### ARGENTINA

DOMINGO P. PEDRONI S.A.I.C.  
9 de Julio 198 - 1646 S. Fernando - Bs.As.

### AUSTRIA

G.ASCHERL GmbH  
Erlengrund 38 - 6971 Hard  
HARTMANN  
Hafenstrasse 5  
A - 6971 Hard a. Bodensee

### BAHRAIN - ARABIAN GULF

2000 MARINE STORES  
P.O. Box 26927  
Manama

### BELGIUM

HUNTER N.V.  
St. Bernardsesteenvweg 858-864  
2660 Hoboken (Antwerpen)

### CANADA

REKORD MARINE ENTERPRISES Ltd.  
8194 Ontario Street  
Vancouver B.C. V5X 3E3

### CANARY ISLANDS

NORDEST - Roberto Origgi  
Ap. de Correo 10431  
38080 Santa Cruz de Tenerife

### CARIBBEAN

BUDGET MARINE N.V.  
P.O. Box 434  
25B Waterfront Road - Cole Bay - St. Maarten

### CROATIA -SLOVENJA

UNIMAR S.r.l.  
Via Valdirivio 26  
34134 Trieste-Italy

### CYPRUS

MERCURY DIVERS COMPANY LTD.  
15, Franklin Roosevelt Av. - Orphanides House  
P.O. Box 469 - Limassol

### DENMARK

PALBY MARINE A/S  
Bommethavevej 41 Slejde  
DK 7100 Vejle

### EGYPT

MAPSO Marine Propulsion and Supply S.A.E.  
11(A) Mohamed Anis St.  
Zamalek - Cairo

### ENGLAND

E.C. SMITH & SONS LTD.  
Unit H & J Kingsway - Industrial Estate, Kingsway  
Luton Beds., LU1 1LP

### FINLAND

OY MARTIM AB  
P.O. Box 46  
00211 Heisinki 21

### FRANCE

ACCASTILLAGE BERNARD  
880 Avenue Saint Exupéry  
06210 Mandelieu

### AMTOT S.A.

41, Quai Duguay-Trouin - Boite Postale 106  
35407 Saint-Malo

### ELECTRIC-AUTO-YACHTING S.A.R.L.

6 Rue de la Paix  
13001 Marseille

### R.E.Y.A.

144, Avenue de la Roubine  
06150 Cannes-La Boca

### SEIMI S.A.

Rue Alain-Colas  
ZIP-Port du Moulin Blanc - Boite Postale 243  
29272 Brest

### VIDAL DIFFUSION MARINE

Z.I. Toulon EST  
Toulon Cedex 9

### GERMANY

S.V.B.  
Gelsenkirchener st. 25  
28199 Bremen

### GREECE

ALEX MARINE  
5 Leocharous Str.  
185 31 Piraeus

### HONG KONG

ELCO MARINE & ENGINEERING LTD.  
20 Yip Fung Street  
Unit 6, G/F - Lincoln Centre - Fanling  
New Territories HONG KONG

### ISRAEL

ATLANTIS MARINE LTD  
147 Kikar Atarim  
169 Hayarkon Str. - Tel Aviv 63453

### LEBANON

MARINE DIFFUSION  
B.P. 8389 Beyrouth

### MALTA

INTERNATIONAL MARINE CENTRE  
Ta'Xhniex Palace  
Testaferrata Street Msida

### NEW CALEDONIE

LIMOUSIN MARINE  
70, R.te du Port Despointes-B. P. 701  
Noumea

### NEW ZEALAND

EUROMARINE  
P.O. BOX 10144  
Dominion Road-Aukland 10

### NEDERLANDS

VETUS DEN OUDEN N.V.  
Fokkerstrat 571  
3125 Bd Schiedam

### HUNGARY

MIMOKER Co.  
Orso Utca 3  
H 1026 Budapest

### NORWAY

TELMO CONTROL A.S.  
Rolf Hofmos GT. 18 - Postboks 2906 Toyen  
0608 OSLO 6

### POLAND

MAZURIA  
11 214 Galiny 2

### PORTUGAL

NAUTICOR  
Rua Bartolomeu Dias 172 A/D  
1400 Lisboa

### SINGAPORE

AMERICAN MARINE (S) PTE LTD.  
No. 26 Jalan Terusan  
Jurong Town Singapore 2261

### SOUTH AFRICA

MANEX & POWER MARINE (PTY) LTD.  
19 Dorsetshire Street - P.O. Box 182  
7420 Paarden Eiland-Cape Town

### SPAIN

LA INDUSTRIAL VELERA MARSAL S.A.  
Muntadas 8 y 10  
08014 Barcelona  
IMINASA S.A.  
Avda. Zaragoza 73/75  
17220 Sant Feliu de Guixols (Girona)

### SWEDEN

ITALNORDIC  
Företagsvägen - Box 12  
440 90 Henan

### TAIWAN

GENCO MARINE LTD.  
Suite 5F 5 169 Min Shen East Road, Sec.5  
P.O. Box 87-908 - Taipei Taiwan 10582

### TURKEY

CARKCI DENIZCILIK San.Ye.Tic.Ltd. Sti.  
Özek ski tersalener yolu nuh sanayi sitesi 36  
Icmeler Tusla - Istanbul

### U.S.A.

IMTRA CORPORATION  
30 Samuel Barnet Blvd - New Bedford Industrial Park  
New Bedford Massachusetts 02745