

## CAUTION AND CARE

**An Invisible Fence® ComputerCollar receiver will not work unless:**

1. You train your pet as prescribed in the “*Invisible Fence Safe Dog® Training Manual*”.

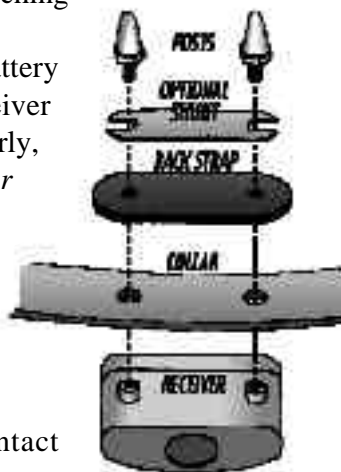
2. The Computer Collar is worn snugly on the neck under the lower jaw.

3. The Computer Collar is adjusted so that the posts are touching your pet’s skin.

4. The Power Cap® battery in the Computer Collar receiver is fresh and installed properly, see “*Changing the Receiver Battery*”, on page 10.

5. The transmitter is on, connected to the signal loop wire, and producing a signal field along the loop wire.

6. The loop wire is intact and continuous.



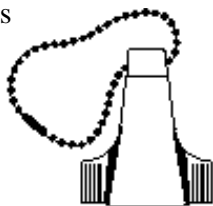
**The following precautions should also be taken:**

1. **Always remove your pet’s Computer Collar before making any adjustment to an Invisible Fence system.**

2. **Gradually allow your pet to become accustomed to its new Computer Collar.** Remove the collar every night during the first month and periodically thereafter. This will ensure proper fit and avoid the possibility of any irritation that the posts may cause to the skin.

3. **Check the Computer Collar** near your television set(s). Although the receiver has a decoding circuit, many televisions produce a coded signal similar to the Invisible Fence signal and may cause the receiver to activate if it is placed close to a television.

4. **DO NOT** secure the posts in the receiver with any kind of glue or adhesive. **ALWAYS** use the post tightening tool to tighten the receiver posts.



5. **Check the transmitter** periodically to make sure that it is operating properly and producing a signal. For more information, refer to

the section “*Checking the Signal Field*” on page 7 of this manual.

6. **DO NOT**, under any circumstances, use this product for any purpose other than that stated in this manual. Invisible Fence systems are designed for animal use only.

## Features and Functions

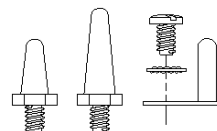
Computer Collar receivers are water resistant, microprocessor controlled units powered by a special 3v lithium Power Capbattery.

A Computer Collar can be used with all ICT series, AT950, and IFA12 transmitters. Computer Collar receivers are available with SuperDog® protection. Computer Collar receivers are also available with shunts which reduce the output of a receiver for small pets who are shy or timid.

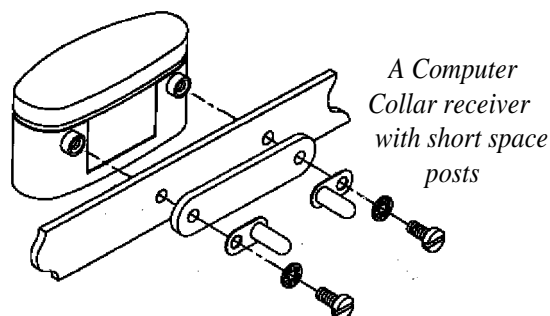
A Computer Collar is also available with remote strips, which distribute the correction to two additional contact points. Remotes are most often used for dogs who regularly challenge the Invisible Barrier® limit around a protected area.

## Fitting the Computer Collar

To work properly, the contact posts on the Computer Collar receiver must touch your pet’s skin. Posts are available in three different sizes to ensure a proper fit for every pet: short, 1/2 inch; long, 3/4 inch; and short-spaced posts. Adjust the collar so it’s snug enough to slide one finger between a post and your pet’s neck. The receiver should be positioned underneath your pet’s neck with the posts pointing up and the top



*Short, long, and short space receiver posts.*



*A Computer Collar receiver with short space posts*

of the receiver pointing forward, toward your pet's nose. Periodic adjustment of the Computer Collar may be necessary as a pet's coat, weight and age change.

*Make sure that the Computer Collar is snug enough for the posts to touch your pet's skin. Be sure that you can still work a fingertip between the skin and the post.*

**Computer Collar**  
**Slip or Woodhouse Collar, is only used during training**



## Changing the Computer Collar Power Cap® Battery

It is very important for proper operation that the receiver always has a fresh battery. Minimum battery life can be reduced by several factors, including lower temperatures, the number of times a pet challenges the system, and the fit of the collar on the pet's neck. Each Invisible Fence® professional should recommend a schedule for changing receiver batteries. We recommend that you ask your Invisible Fence professional about a battery replacement plan.



*Note: Invisible Fence recommends that a customer subscribe to a battery replacement plan where fresh Power Cap batteries are mailed directly to them on a regular schedule.*

*Your Invisible Fence professional can determine the most appropriate schedule for you.*

The Power Cap battery is a replaceable 3v lithium battery with a unique plastic screw cap. On average, the battery should be changed every 3 to 4 months. But battery life depends upon outside tem-

peratures and how often the dog or the customer tests the system. In cold weather, it may be necessary to replace the battery more often.

Also, Invisible Fence receivers are water resistant, *not waterproof*. In particularly humid climates or when the dog has access to creeks, pools, etc., water may get trapped in the battery compartment. A small rubber O-ring around the battery cap will minimize water invasion, but if you think that the battery compartment is getting wet, take the battery out of the Computer Collar receiver when the dog is not wearing the collar. This will allow the battery and the compartment to dry.

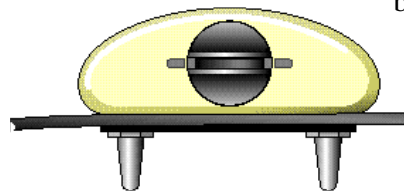
To remove an old Power Cap battery from a Computer Collar receiver, use a small, thin coin in the slot on top of the battery and turn it counter clockwise. The battery will rotate out of the chamber. Never use a screwdriver



to remove or tighten the battery because you may strip the plastic head on the cap.

*Note: Remember, before you replace the Power Cap battery, you must wait for a full five minutes for the Computer Collar microprocessor to recycle after removing the old battery.*

To install a new Power Cap, line up the lugs on the cap with the grooves in the opening of the cap chamber. Gently put the Power Cap into the chamber while turning it clockwise.



Finally, use a small, thin coin in the slot on the top of the battery to turn the battery clockwise until the slot on the battery cap is lined up with the two small raised tabs on the bottom of the receiver.

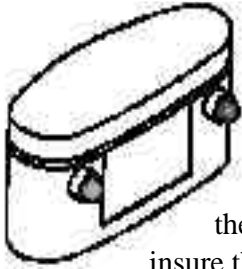
When the new Power Cap is in, wait 10 seconds before taking the receiver into the signal field to give the receiver time to recycle.

Follow these directions exactly, or the Computer Collar receiver may not activate properly. To maintain optimum performance, we recommend that you periodically test the battery.



**WARNING:** *The Power Cap® is made of soft, protective material. The use of unnecessary force may damage it and render it inoperable. DO NOT open the Power Cap, dispose of it in fire, recharge, heat above 212°F (100°C), or expose the contents to water. Doing so can cause leakage or explosion and lead to personal injury.*

## Power Cap Battery Tester



We strongly recommend that customers who use a Computer Collar receiver, obtain a Power Cap battery tester. At least once a month, check the receiver battery with the Power Cap battery tester to insure that your pet will stay out of areas that it is supposed to, and remain safely within the Invisible Boundary® limit.

The Power Cap battery tester measures the internal resistance of the 3v lithium Power Cap battery. The red and green LEDs indicate how much life is left in the battery.

To test the receiver battery with the Power Cap battery tester, remove the Power Cap battery from the receiver and put it into the Power Cap battery tester.

If the battery is okay, the green and red LEDs on the tester will both light. If there is no light or a dimly lit red LED on the battery tester, the battery needs to be replaced.



**WARNING:** *The use of any battery other than a battery authorized by IFCO Enterprises, Inc., can cause a receiver to operate erratically. The use of an unauthorized battery in an Invisible Fence receiver will void the manufacturer's warranty on the receiver.*