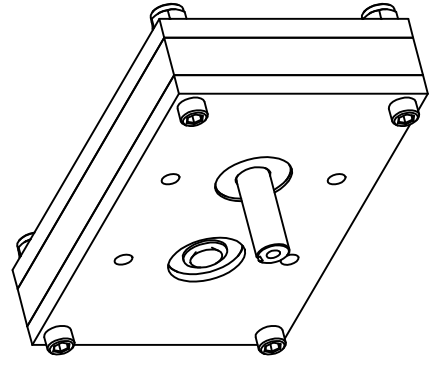
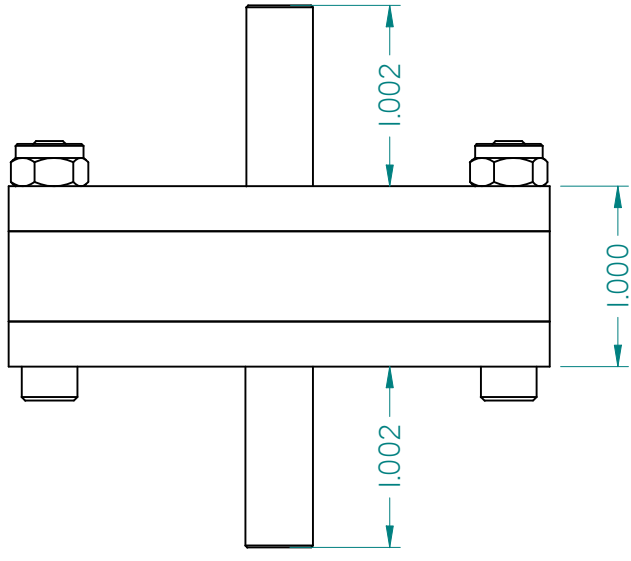
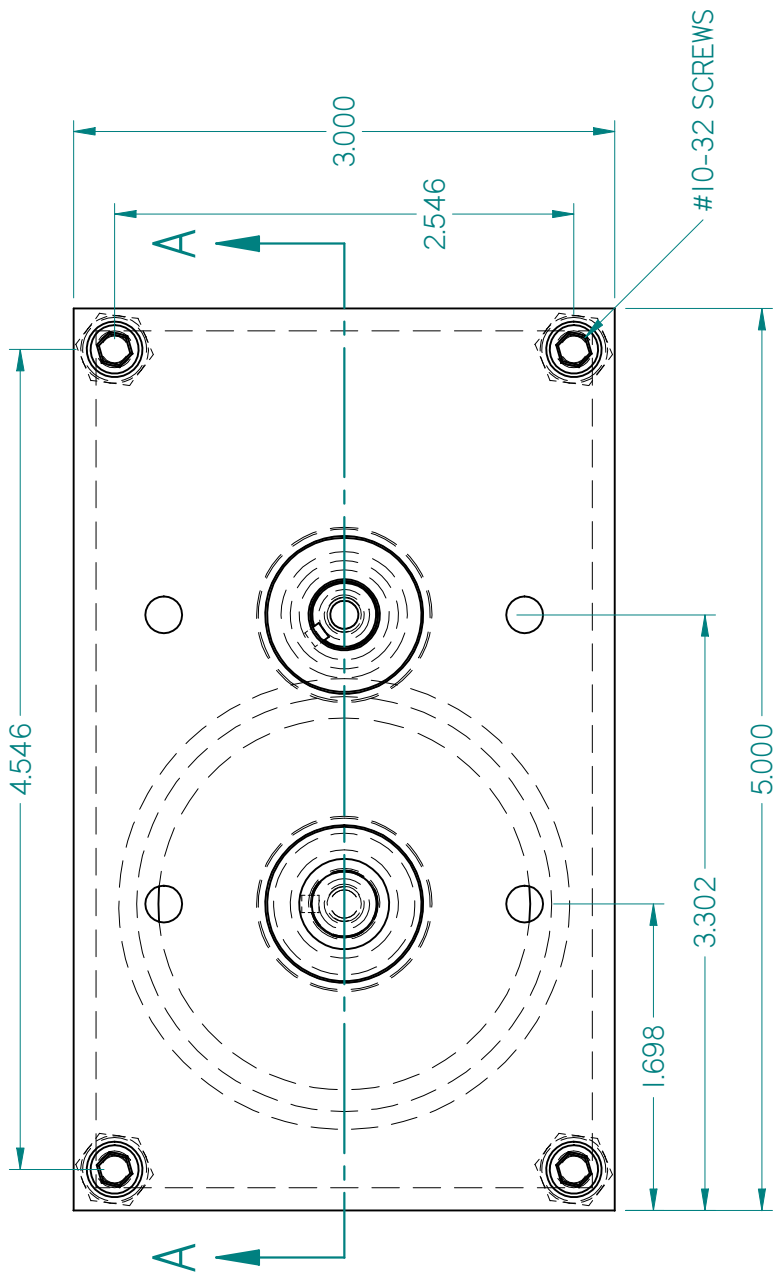
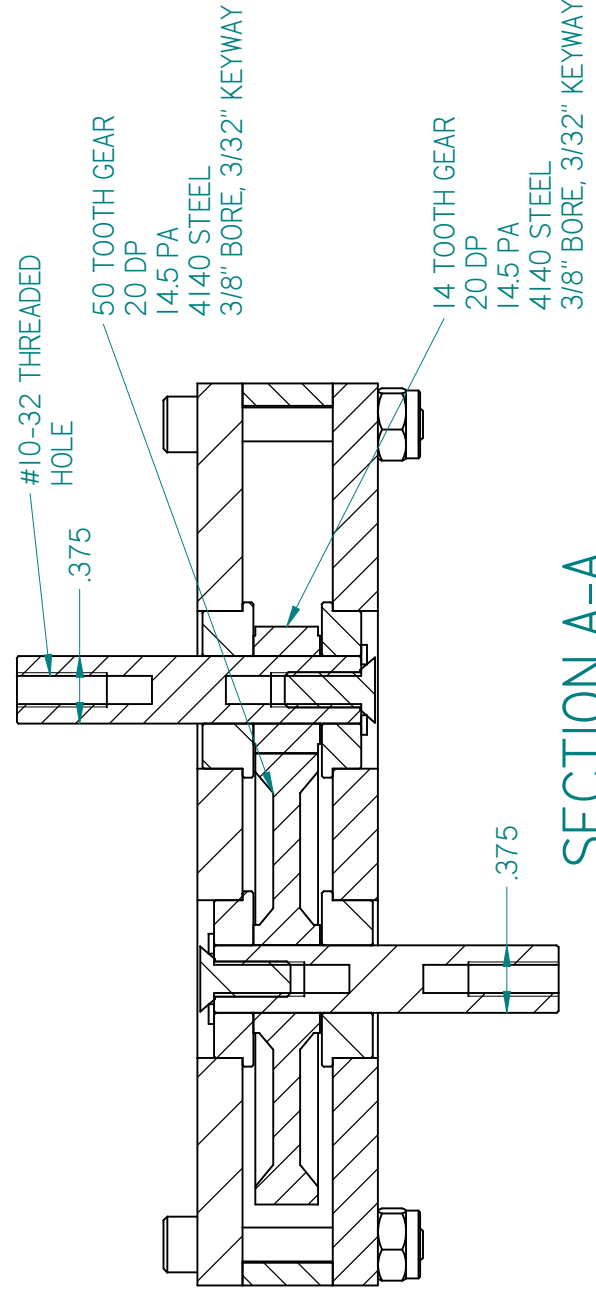


REVISION HISTORY		DATE	APPROVED
REV	DESCRIPTION		



● GEARBOX RATIO: 3.57:1



SECTION A-A

DRAWN	NAME	DATE	Andy Baker	07/10/08
CHECKED				
ENG APPR				
MGR APPR				
<b>AndyMark.biz</b> Standard Solutions for Competition Robots TITLE: <b>Stackerbox</b>				
SIZE	1/8" x 1/2"	stackerbox_asm.dwg	REV	1
FILE NAME	stackerbox_asm.dwg	SCALE:	WEIGHT:	SHEET 1 OF 1
<small>UNLESS OTHERWISE SPECIFIED          DIMENSIONS ARE IN INCHES          ANGLES ±0.5°          2 PL ±0.01, 3 PL ±0.005</small>				