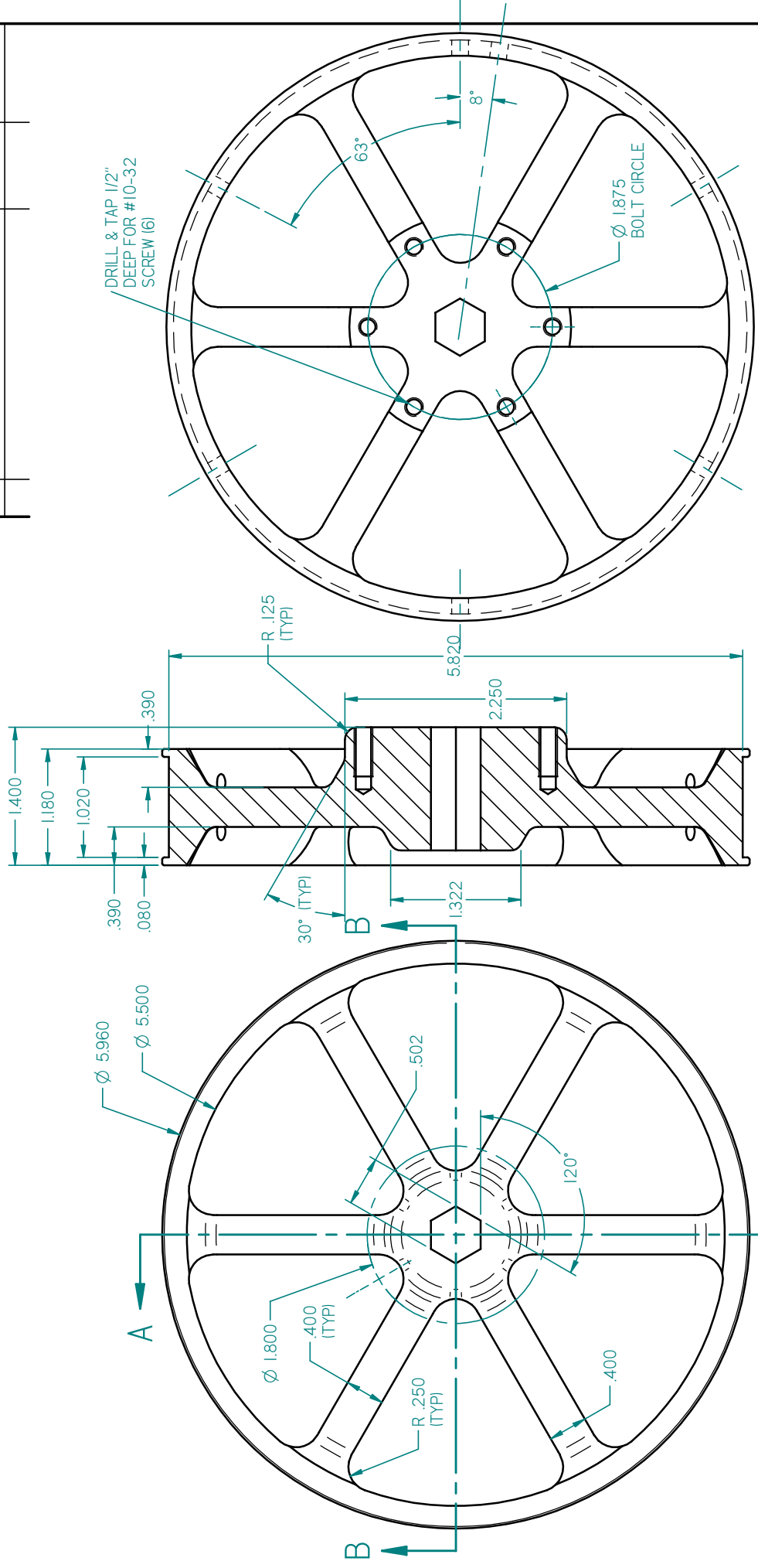


REVISION HISTORY

REV	DESCRIPTION	DATE	APPROVED



DRAWN	Andy Baker	05/22/06
MATERIAL	6061 Aluminum	
QUANTITY	1	
HEAT TREAT		
FINISH		
UNLESS OTHERWISE SPECIFIED DIMENSIONS ARE IN INCHES ANGLES $\pm 0.5^\circ$ 2 PL ± 0.01 3 PL ± 0.005 "		
SIZE	IDWG NO	performance_wheel.dft
A3	REV	1
FILE NAME: performance_wheel.dft		
SCALE:	WEIGHT:	SHEET 1 OF 1

ANDYMARKBIZ

STANDARD SOLUTIONS FOR COMPETITION ROBOTS

TITLE
6" PERFORMANCE WHEEL