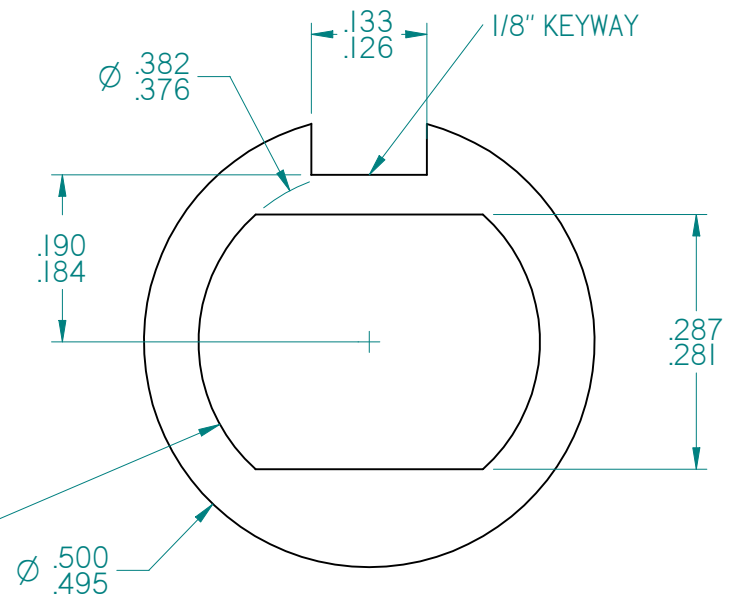
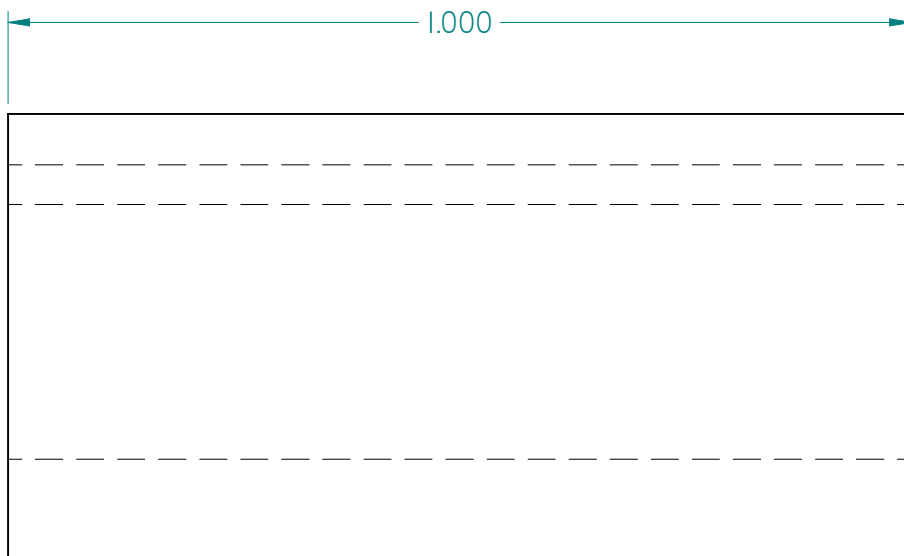
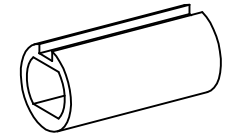


REVISION HISTORY			
REV	DESCRIPTION	DATE	APPROVED



BROACHED WITH CUSTOMER-SUPPLIED "DD" BROACH. START WITH 0.281" HOLE.

Material: 1018, 1215, or 12L14 Steel
 Qty.: 1
 Finish: -

DRAWN		NAME	DATE	AndyMark.biz Standard Solutions for Competition Robots TITLE Globe 500 Key Shaft
CHECKED		Andy Baker	05/05/09	
ENG APPR				
MGR APPR				
UNLESS OTHERWISE SPECIFIED DIMENSIONS ARE IN INCHES ANGLES ±0.5° 2 PL ±0.01, 3 PL ±0.005				SIZE A2 DWG NO Globe_500_Key_Shaft.dft REV 1 FILE NAME: Globe_500_key_shaft.dft SCALE: WEIGHT: SHEET 1 OF 1