

8 7 6 5 4 3 2 1

D

D

C

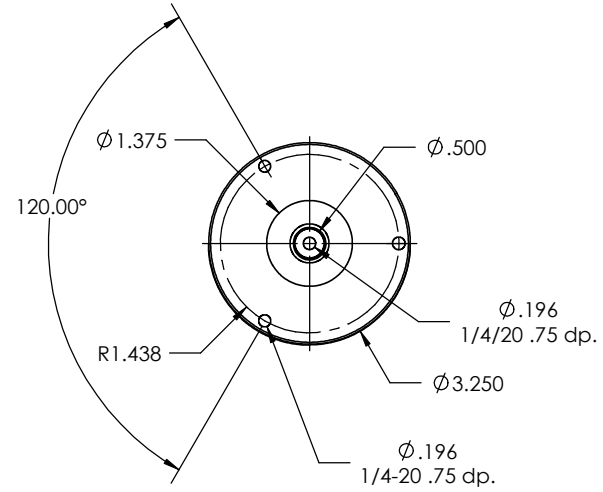
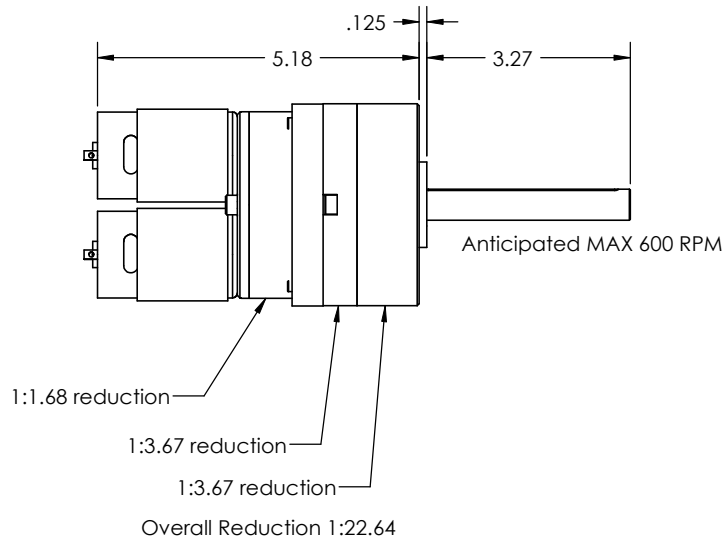
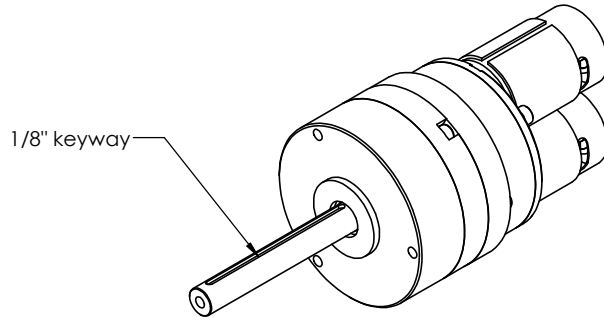
C

B

B

A

A



**PROPRIETARY AND CONFIDENTIAL**  
 THE INFORMATION CONTAINED IN THIS DRAWING IS THE SOLE PROPERTY OF <INSERT COMPANY NAME HERE>. ANY REPRODUCTION IN PART OR AS A WHOLE WITHOUT THE WRITTEN PERMISSION OF <INSERT COMPANY NAME HERE> IS PROHIBITED.

		UNLESS OTHERWISE SPECIFIED:		NAME	DATE	<b>AndyMark Inc.</b>	
		DIMENSIONS ARE IN INCHES		DRAWN	1/14/10		
		TOLERANCES:		CHECKED		TITLE:	
		FRACTIONAL ±		ENG APPR.		GEM gearbox with Dual Fisher Price Motors	
		ANGULAR: MACH ± BEND ±		MFG APPR.		SIZE DWG. NO. REV	
		TWO PLACE DECIMAL ±		Q.A.		<b>B</b> Double Doozy GEM	
		THREE PLACE DECIMAL ±		COMMENTS:		SCALE: 1:4 WEIGHT: SHEET 1 OF 1	
NEXT ASSY		USED ON					
APPLICATION		DO NOT SCALE DRAWING					

8 7 6 5 4 3 2 1