

AM Shifter Generation 2 2-Speed Shifting Transmission

Price: \$330

Designed to accept 3/4" bore, 1" stroke Bimba cylinder

Includes loose hardware

Motors not included

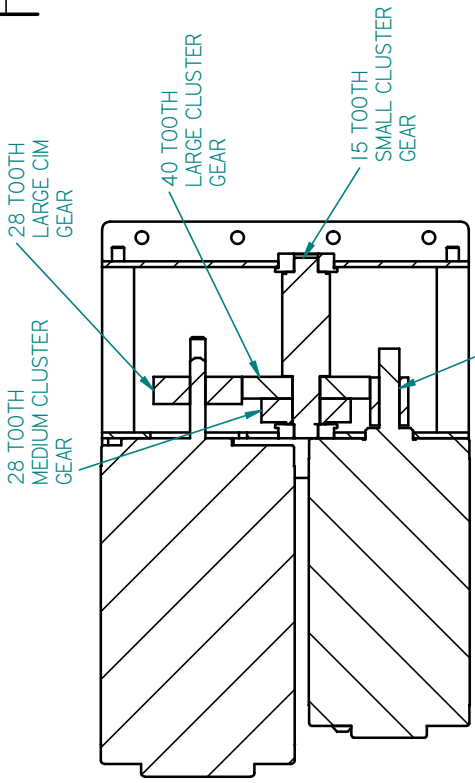
Drawing Package Contents

Sheet 1: Main page

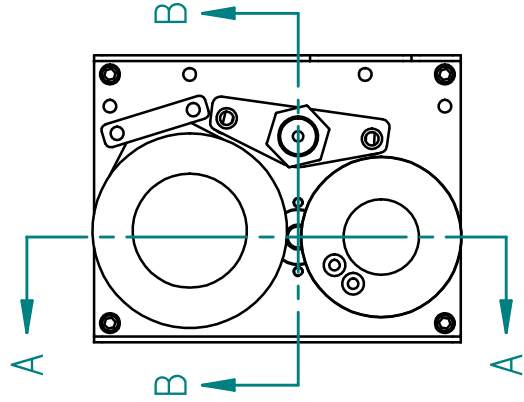
Sheet 2: Layout drawing

Sheet 3: Cross section, gear specs

Sheet 4: Motor options, shifting details

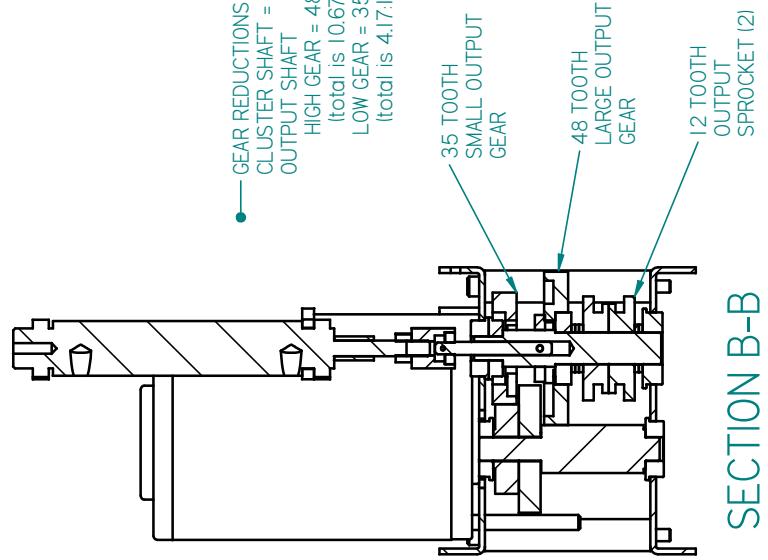


SECTION A-A



- ALL GEARS
20 D.P.
14.5° PRESSURE ANGLE
4140 STEEL
COLD FORMED GEAR PROFILE
CASE HARDENED

- GEAR REDUCTIONS
CLUSTER SHAFT = 40:1 (3.33:1)
OUTPUT SHAFT
HIGH GEAR = 48:15
(total is 10.67:1 from CIM motor to here)
LOW GEAR = 35:28
(total is 4.17:1 from CIM to here)



SECTION B-B

DRAWN	Andy Baker	10/05/06
WEIGHT	3.6 lbs w/o motors	
SIZE	5.75" L x 10.70" W x 4.50" H	
UNLESS OTHERWISE SPECIFIED DIMENSIONS ARE IN INCHES ANGLES ±0.5° 2 PL ±0.01" 3 PL ±0.005"		
TITLE		
ANDYMARKBIZ STANDARD SOLUTIONS FOR COMPETITION ROBOTS AM SHIFTER GENERATION 2		
SIZE	IDWG NO	REV
A3	AM-Shifter-Gen2.dwg	1
FILE NAME: amshifter2_asm2.dft		SCALE
WEIGHT:		SHEET 3 OF 4