

REVISION HISTORY		
REV	DESCRIPTION	DATE

AM Shifter Generation 2 2-Speed Shifting Transmission

Price: \$330

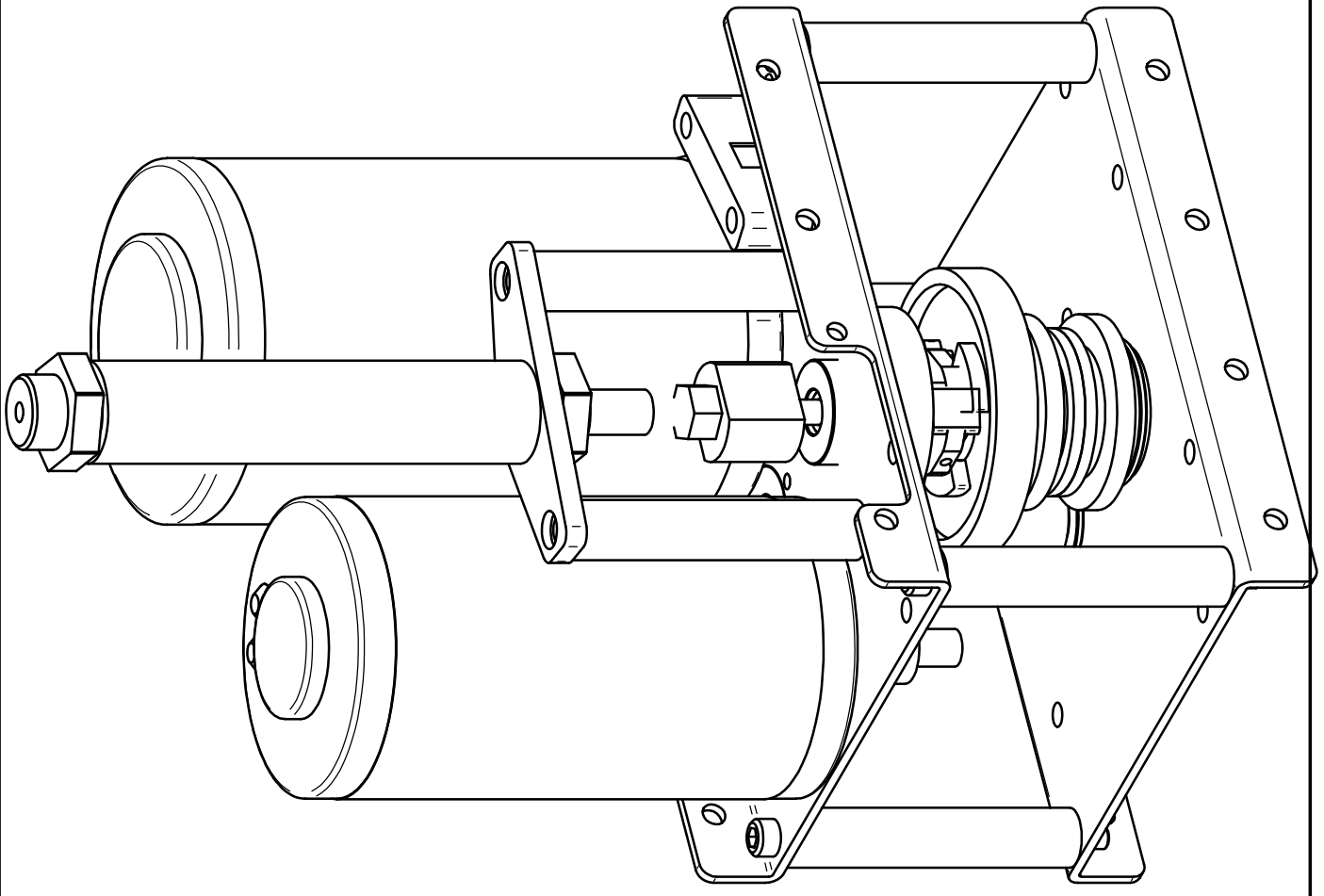
Designed to accept 3/4" bore, 1" stroke Bimba cylinder

Includes loose hardware

Motors not included

Drawing Package Contents

- Sheet 1: Main page
- Sheet 2: Layout drawing
- Sheet 3: Cross section, gear specs
- Sheet 4: Motor options, shifting details



DRAWN	Andy Baker	10/05/06	ANDYMARKBIZ
WEIGHT	3.6 Lbs w/o motors		STANDARD SOLUTIONS FOR COMPETITION ROBOTS
SIZE	5.75" L x 10.70" W x 4.50"		TITLE
			AM SHIFTER GENERATION 2
UNLESS OTHERWISE SPECIFIED DIMENSIONS ARE IN INCHES ANGLES ±0.5° 2 PL ±0.01" 3 PL ±0.005"		SIZE	REV
		A3	1
		FILE NAME: amshifter2_asm2.dft	AM-Shifter-Gen2.asm
		SCALE:	WEIGHT:
			SHEET 1 OF 4