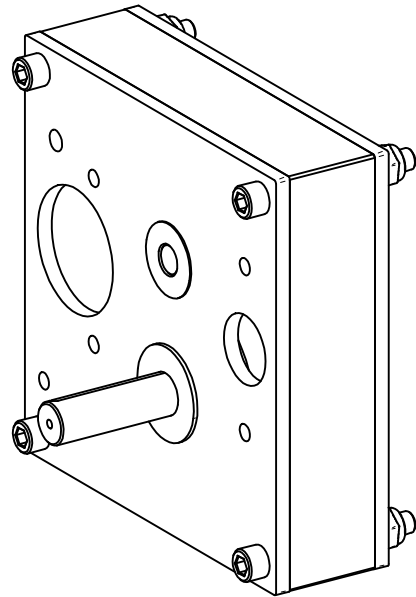
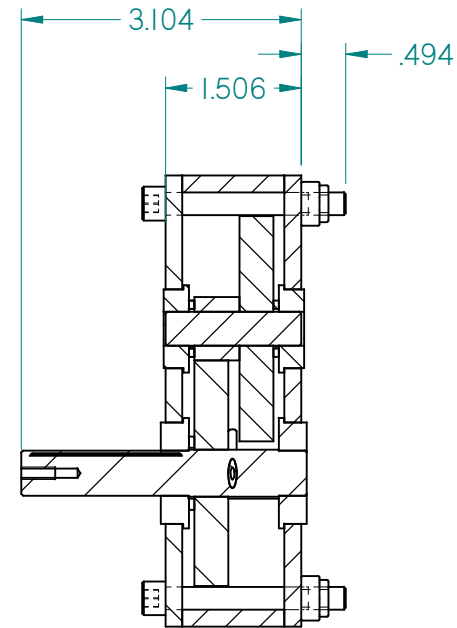
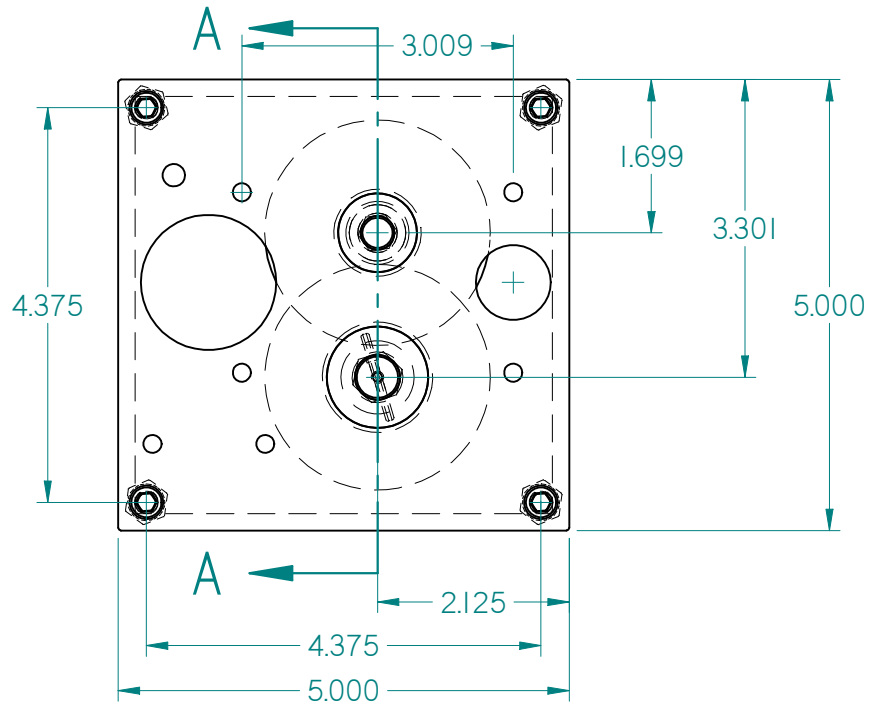


| REVISION HISTORY |             |      |          |
|------------------|-------------|------|----------|
| REV              | DESCRIPTION | DATE | APPROVED |
|                  |             |      |          |



### AM Gearbox

12.75:1 reduction from CIM Motor  
 6.375:1 reduction from Mini-Bike motor  
 1/2" output shaft, 4140 steel  
 Aluminum mounting plates & housing  
 Ball Bearings  
 Accepts 2.5" CIM Motor (1 or 2)  
 Accepts Large CIM Motor (1)



### SECTION A-A

AndyMark.biz

|  |            |          |                           |              |
|--|------------|----------|---------------------------|--------------|
| DRAWN  | NAME       | DATE     | SOLID EDGE                |              |
| CHECKED  | Andy Baker | 12/20/07 | EDS-PLM SOLUTIONS         |              |
| ENG APPR   |            |          | TITLE                     |              |
| MGR APPR   |            |          | AM Gearbox                |              |
| UNLESS OTHERWISE SPECIFIED<br>DIMENSIONS ARE IN MILLIMETERS<br>ANGLES ±X.X°<br>2 PL ±XXX 3 PL ±X.XXX |            |          | SIZE                      | REV          |
|  |            |          | AZ                        | 1            |
|  |            |          | DWG NO AM Gearbox.dft     |              |
|  |            |          | FILE NAME: AM_Gearbox.dft |              |
|  |            |          | SCALE:                    | SHEET 1 OF 1 |
|  |            |          | WEIGHT:                   |              |