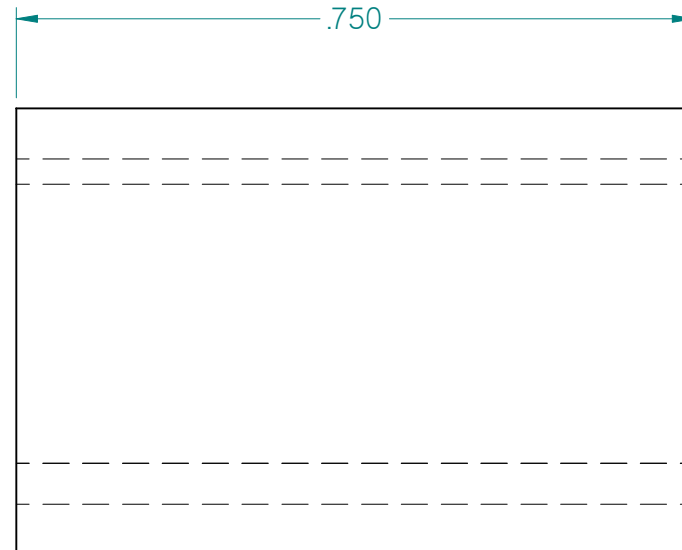
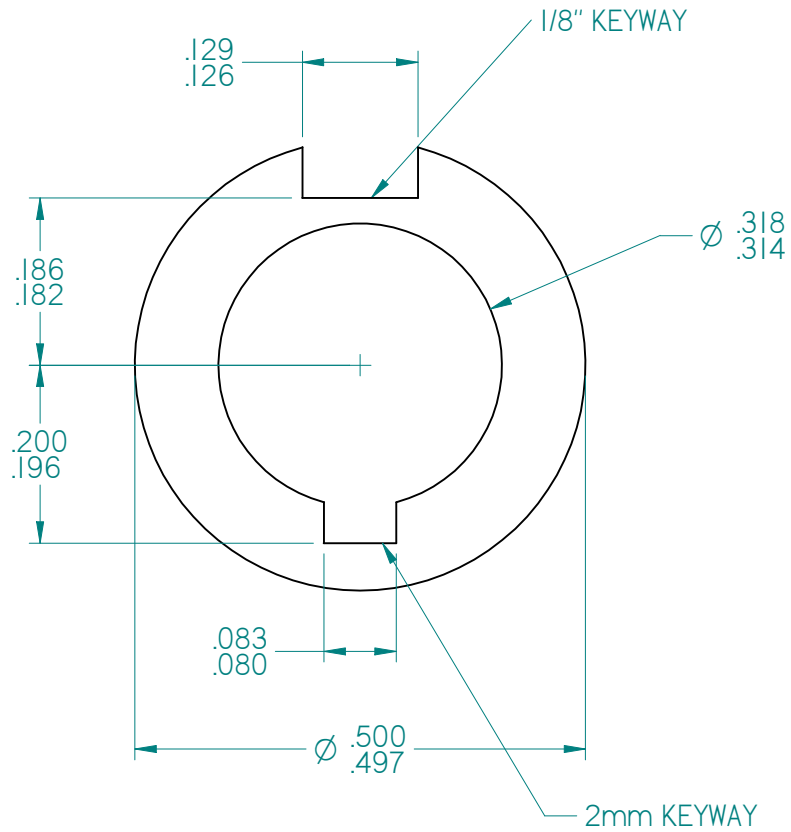


REVISION HISTORY			
REV	DESCRIPTION	DATE	APPROVED



Material: 1018, 1215, or 12L14 Steel
 Qty. : 1
 Finish: -

DRAWN	NAME	DATE	AndyMark.biz Standard Solutions for Competition Robots TITLE: 8mm 500 Key Adapter	
CHECKED	Andy Baker	09/24/09		
ENG APPR				
MGR APPR				
UNLESS OTHERWISE SPECIFIED DIMENSIONS ARE IN INCHES ANGLES $\pm 0.5^\circ$ 2 PL ± 0.01 , 3 PL ± 0.005			SIZE A2	DWG NO 8mm 500 Key Adapter.dft
FILE NAME: 8mm-500_key_shaft_adapter.dft			REV 1	
SCALE:	WEIGHT:	SHEET 1 OF 1		