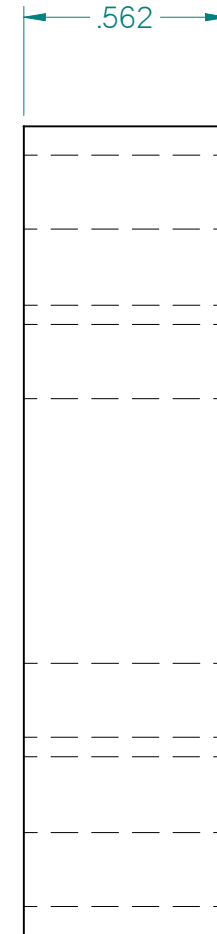
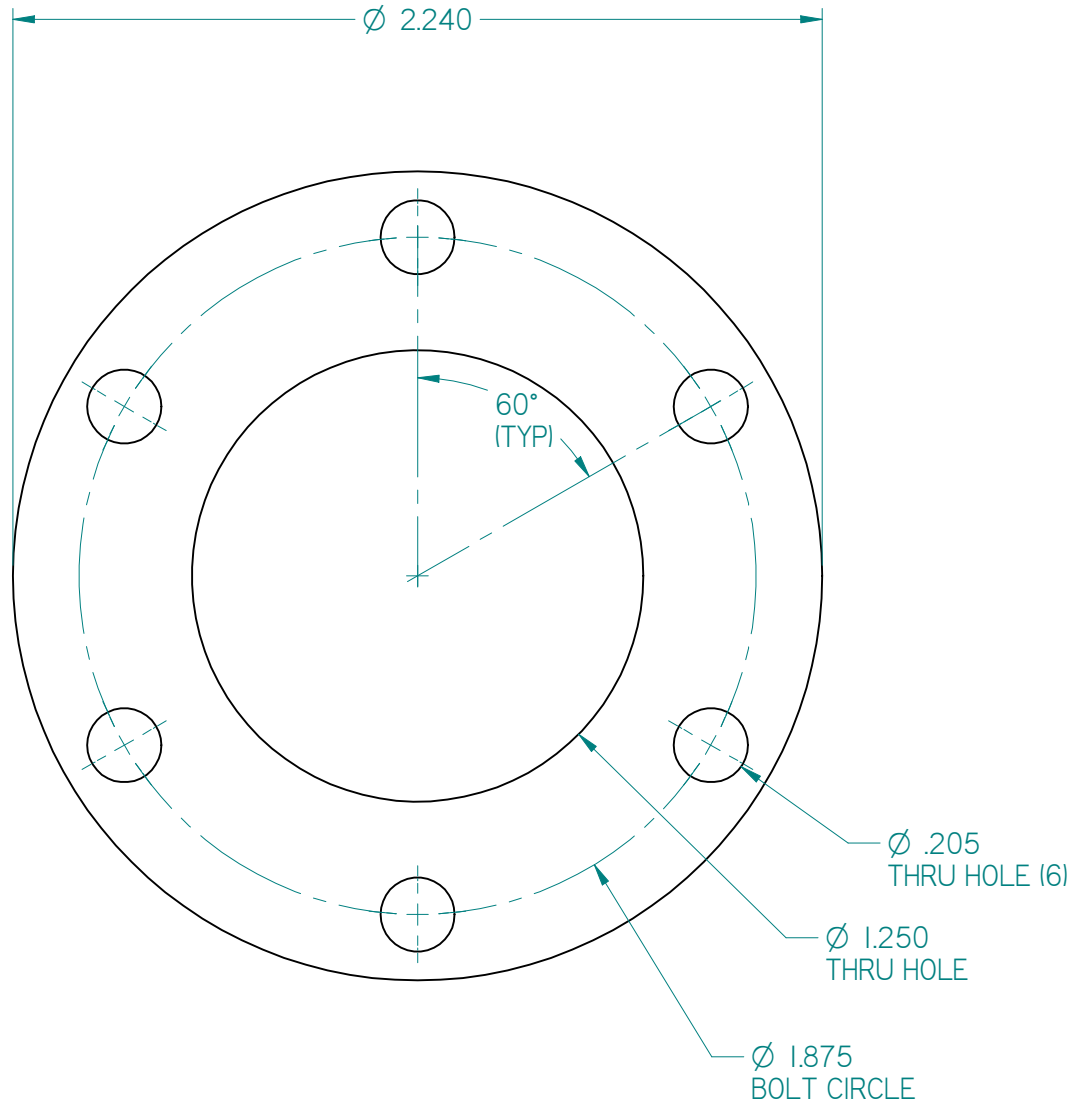


REVISION HISTORY			
REV	DESCRIPTION	DATE	APPROVED



Material: Black Delrin
 Qty.: 1
 Finish: -

DRAWN	NAME	DATE	AndyMark.biz Standard Solutions for Competition Robots TITLE 6 Hole Spacer		
CHECKED	Andy Baker	05/05/09			
ENG APPR					
MGR APPR					
UNLESS OTHERWISE SPECIFIED DIMENSIONS ARE IN INCHES ANGLES $\pm 0.5^\circ$ 2 PL ± 0.01 , 3 PL ± 0.005			SIZE A2	DWG NO 6hole_spacer.dft	REV 2
SCALE:			WEIGHT:	SHEET 1 OF 1	