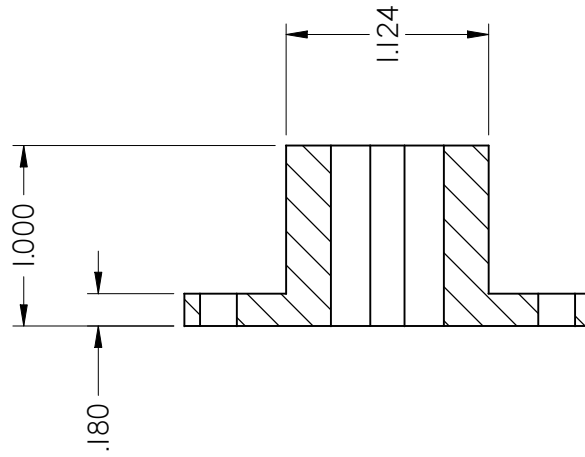
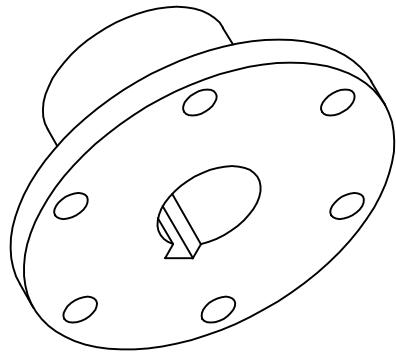
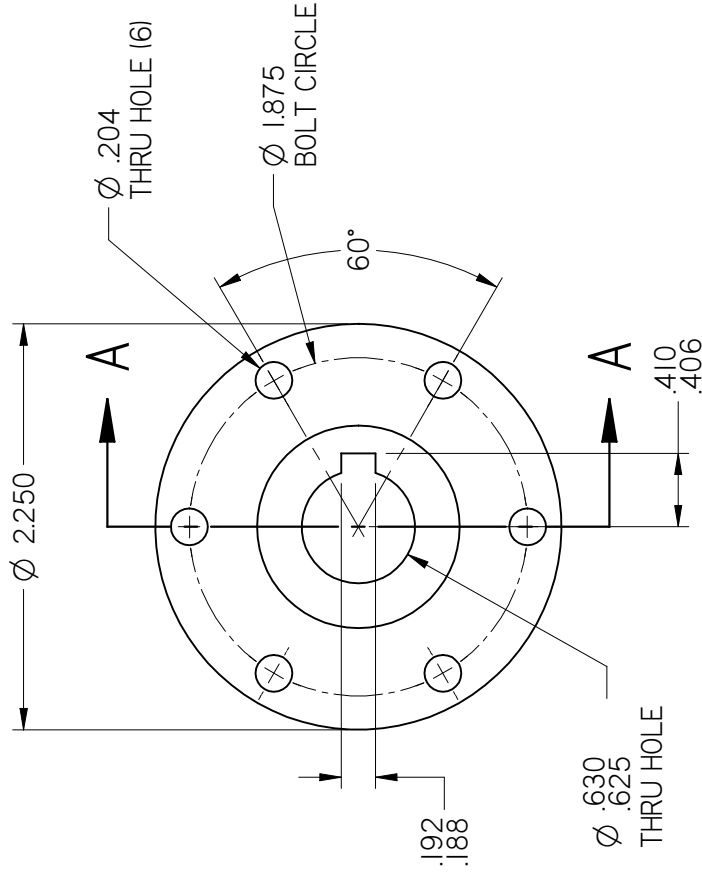


REVISION HISTORY		
REV	DESCRIPTION	DATE



SECTION A-A



DRAWN	NAME	DATE	ANDYMARK.biz
CHECKED	Andy Baret	03/29/08	Standard Solutions for Competition Robots
ENG APPR			TITLE
MGR APPR			5/8" Key Hub
	SIZE	DRG NO	REV
	UNLESS OTHERWISE SPECIFIED	625_Key_Hub.dft	1
	DIMENSIONS ARE IN INCHES		
	ANGLES ±0.5°	FILE NAME	625_Key_Hub.dft
	2 PL ±0.01, 3 PL ±0.005	SCALE	WEIGHT
			SHEET 1 OF 1

Material: Aluminum  
 Qty.: 1  
 Finish: Tumbled