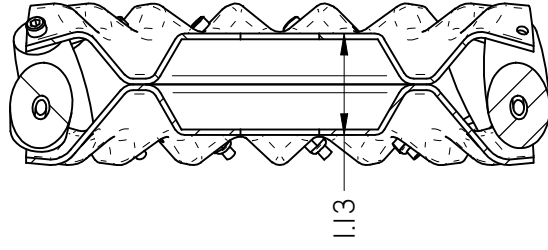
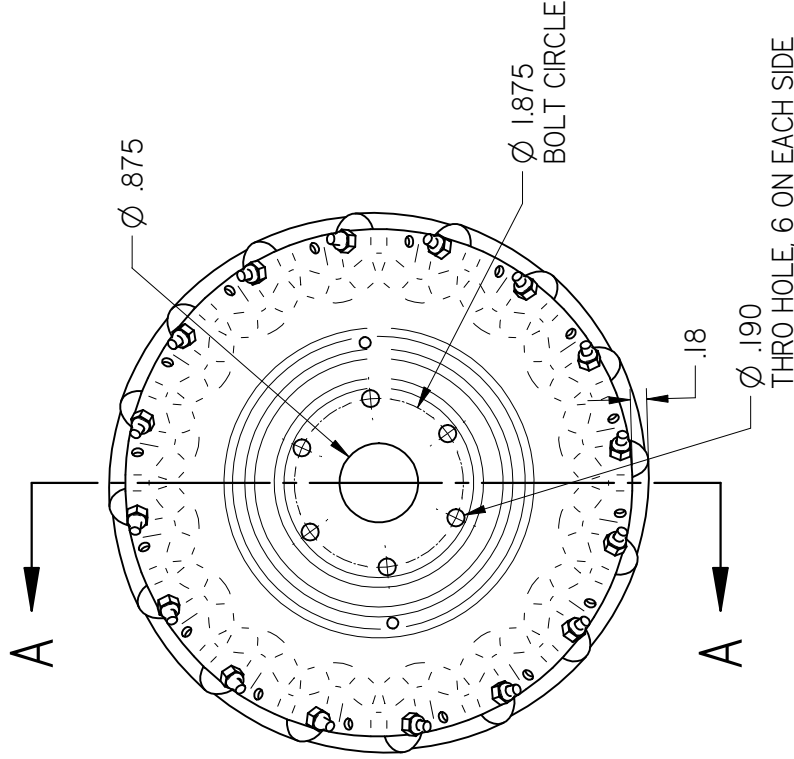
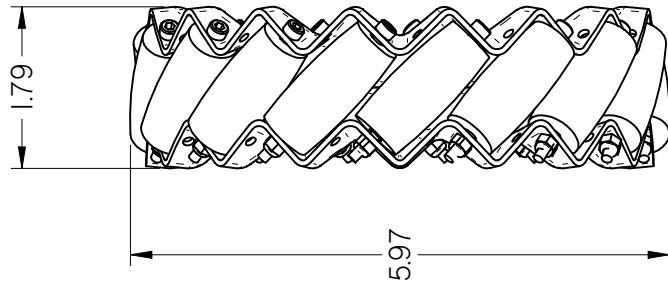
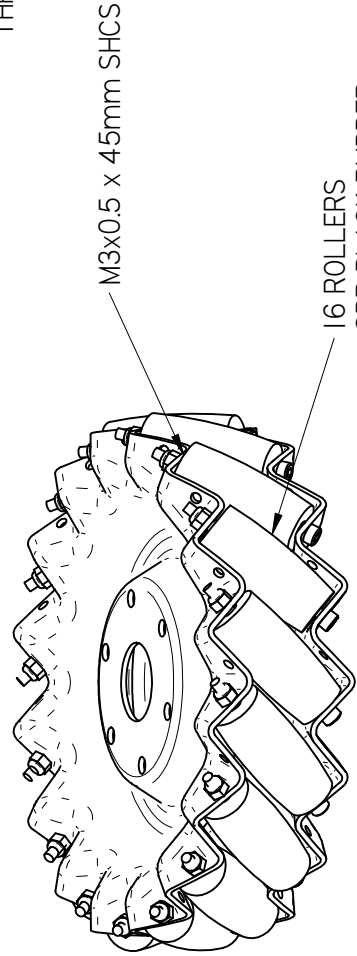


REVISION HISTORY		
REV	DESCRIPTION	DATE



SECTION A-A

- THIS WHEEL IS DESIGNED SO THAT THE ROLLERS CAN BE ASSEMBLED IN EITHER THE RIGHT-HANDED OR LEFT-HANDED DIRECTION.



M3x0.5 x 45mm SHCS

16 ROLLERS  
SBR BLACK RUBBER  
0.72" DIAMETER

NAME	DATE	ANDYMARK.biz
ANDY BARRETT	07/20/08	Standard Solutions for Competition Robots
CHECKED		TITLE
ENG APPR		6" Mecanum Wheel
MGR APPR		SIZE (ENG NO)
		A2 6-mecanum-asm.dft
		REV 1
		FILE NAME 6-mecanum-asm.dft
		SCALE 2 PL ±0.01, 3 PL ±0.005
		WEIGHT
		SHEET 1 OF 1