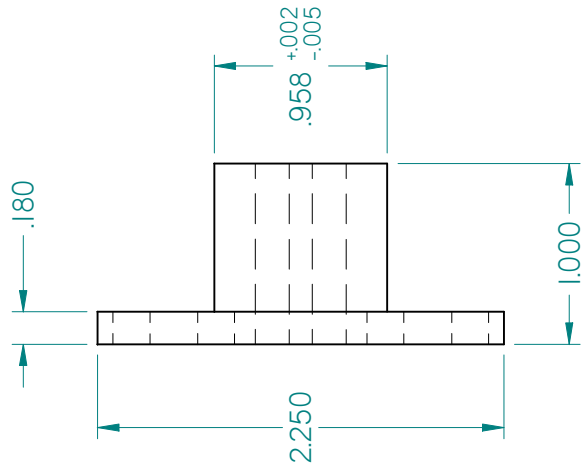
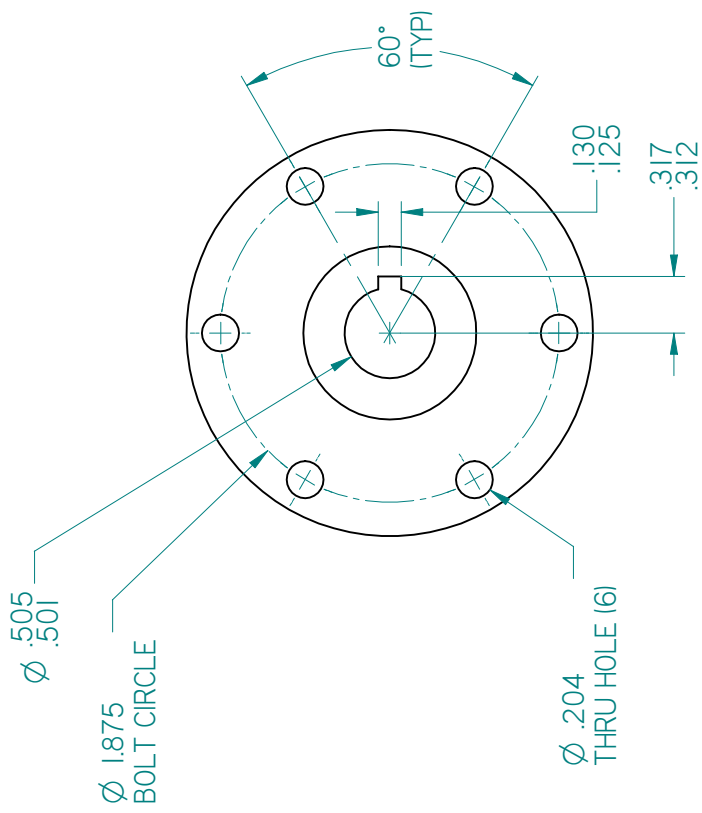
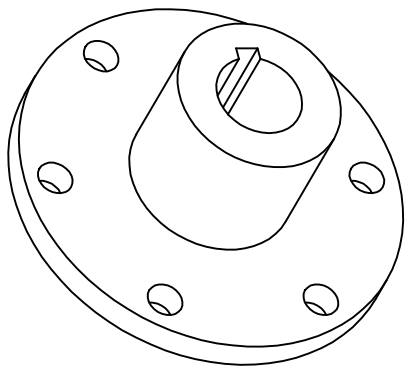


REVISION HISTORY

REV	DESCRIPTION	DATE	APPROVED



NAME	DATE
Andy Baker	12/17/07
CHECKED	
ENG APPR	
MR APPR	

Standard Solutions for Competition Robots

1/2" Key Hub

SIZE: DWG NO: 500\_Key\_Hub.dwg KEY: 1

FILE NAME: 500\_Key\_Hub.dwg

SCALE: WEIGHT: SHEET: 1 OF 1

Material: Aluminum  
 Qty.: 1  
 Finish: Tumbled

UNLESS OTHERWISE SPECIFIED  
 DIMENSIONS ARE IN INCHES  
 ANGLES ±.5°  
 2 PL ±.001, 3 PL ±.0005