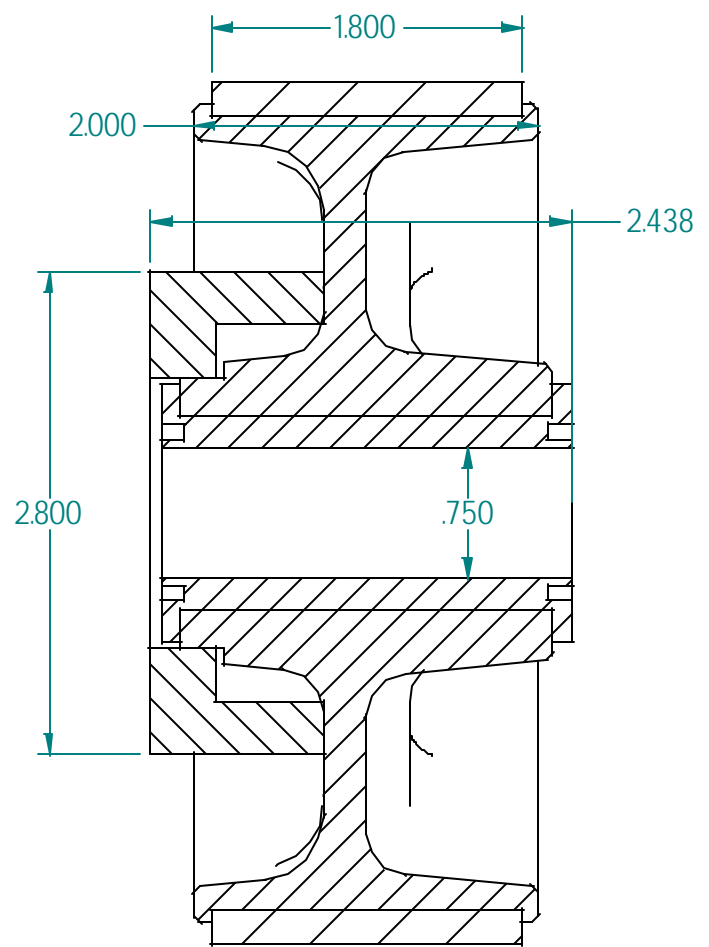
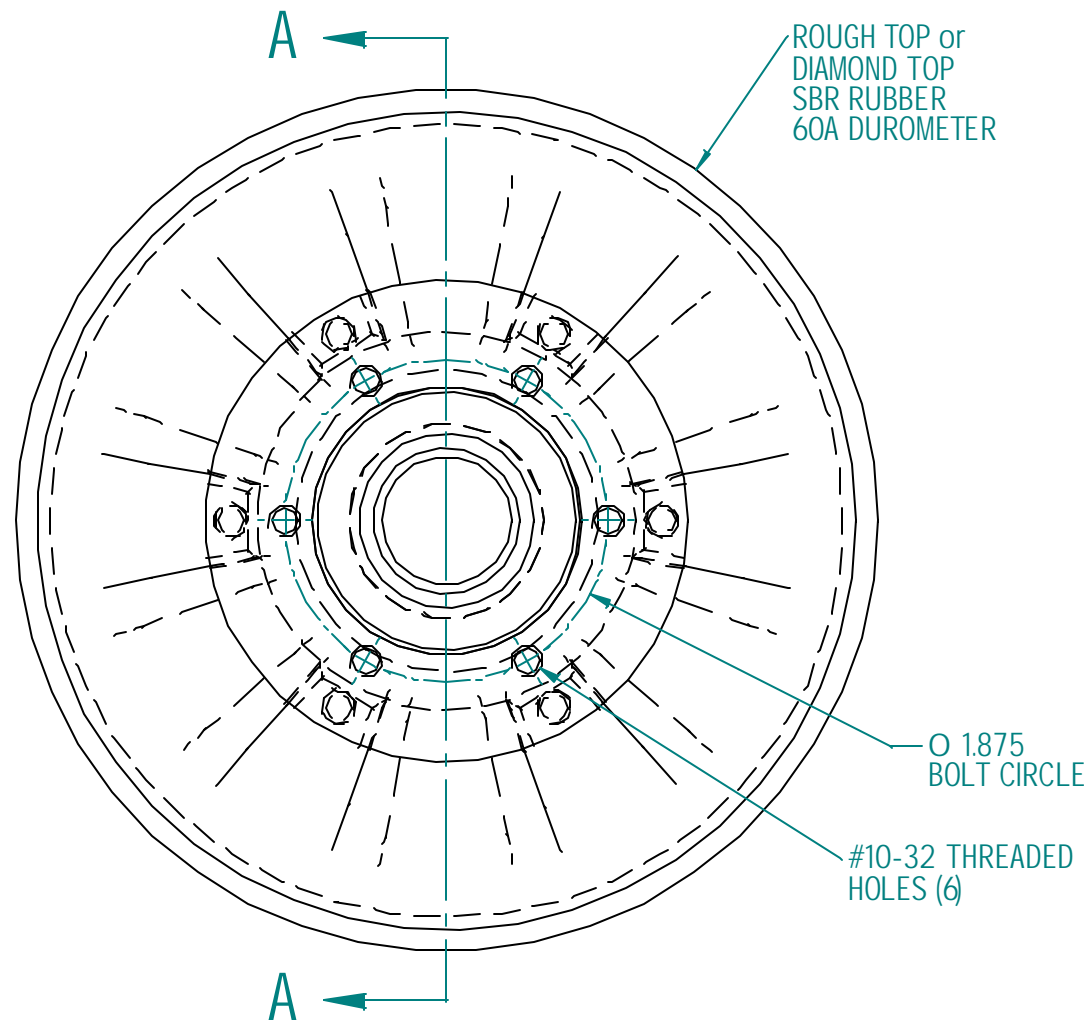


REVISION HISTORY			
REV	DESCRIPTION	DATE	APPROVED



### SECTION A-A

AndyMark.biz

	NAME	DATE	<b>SOLID EDGE</b> EDS-PLM SOLUTIONS		
DRAWN	Andy Baker	09/22/05			
CHECKED			TITLE <b>5" Traction Wheel</b>		
ENG APPR					
MGR APPR					
UNLESS OTHERWISE SPECIFIED DIMENSIONS ARE IN MILLIMETERS ANGLES ±XX° 2 PL ±.XXX 3 PL ±.XXX			SIZE A2	DWG NO <b>5 Wheel and hub</b>	REV 1
			FILE NAME: 5 wheel and hub.dft	SCALE:	WEIGHT:
					SHEET 1 OF 1