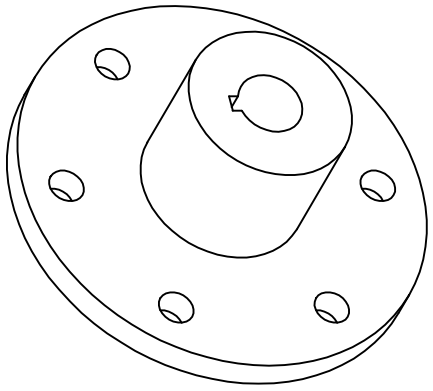
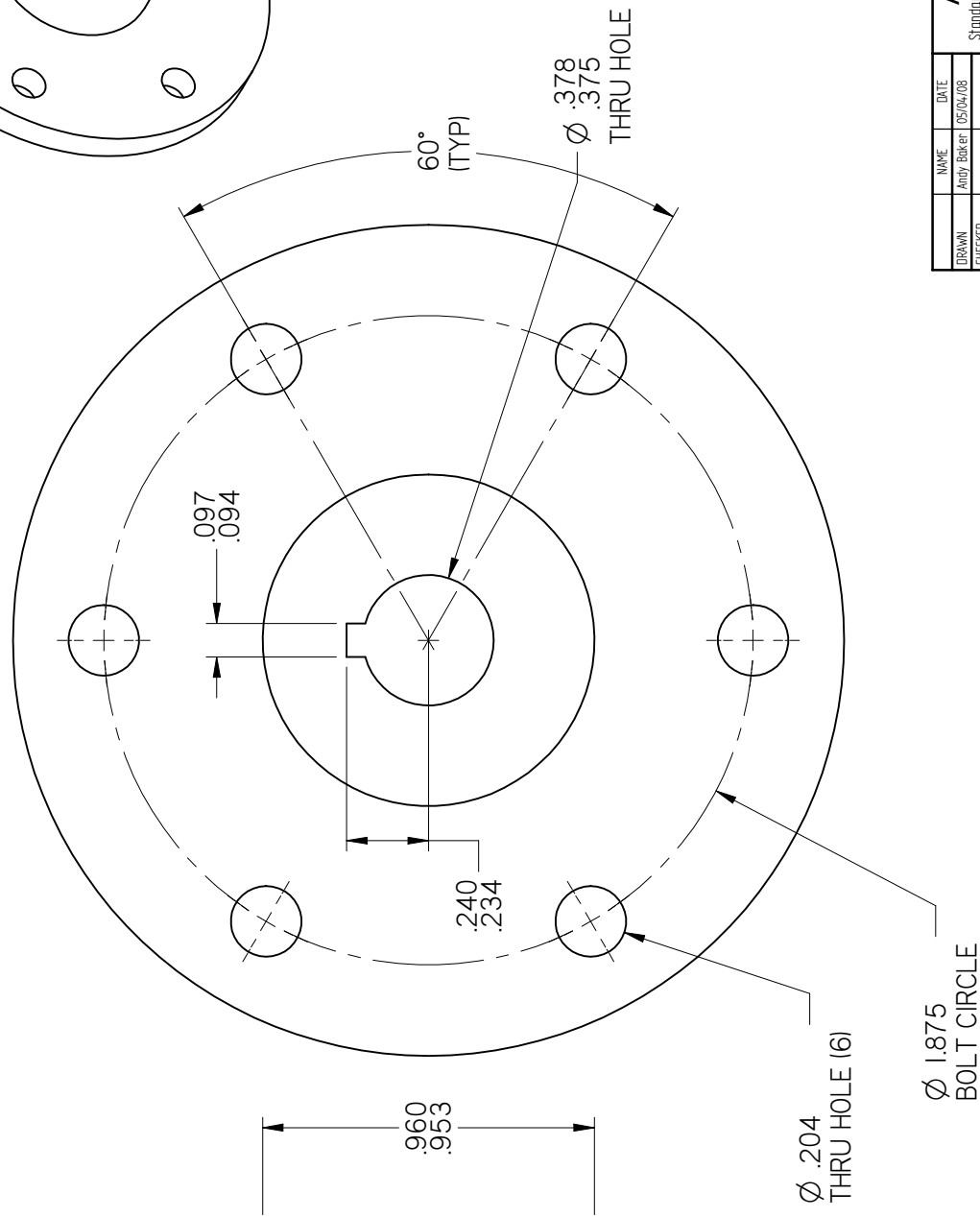
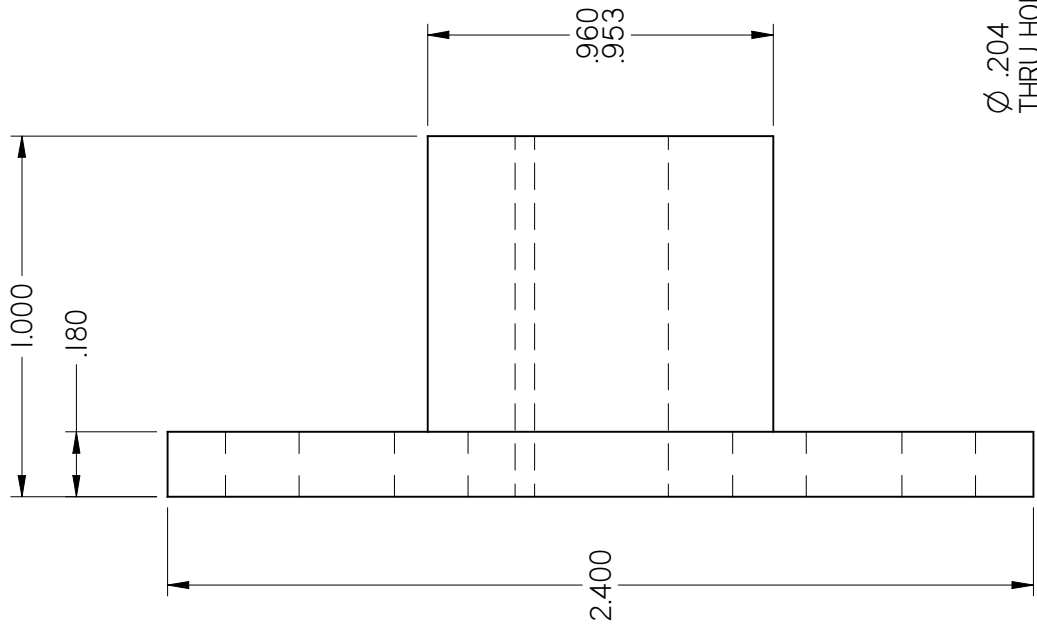


REVISION HISTORY		
REV	DESCRIPTION	DATE



Material: 6061 Aluminum
Qty.: 1
Finish: Tumbled

NAME	DATE	
Andy Baker	05/04/08	
Standard Solutions for Competition Robots		
TITLE: 3/8" Key Hub		
SIZE	FILE NAME	REV
A2	375_Key_Hub.dff	1
UNLESS OTHERWISE SPECIFIED DIMENSIONS ARE IN INCHES ANGLES ±0.5°		SCALE
2 PL ±0.01, 3 PL ±0.005		WEIGHT
		SHEET 1 OF 1

AndyMark.biz