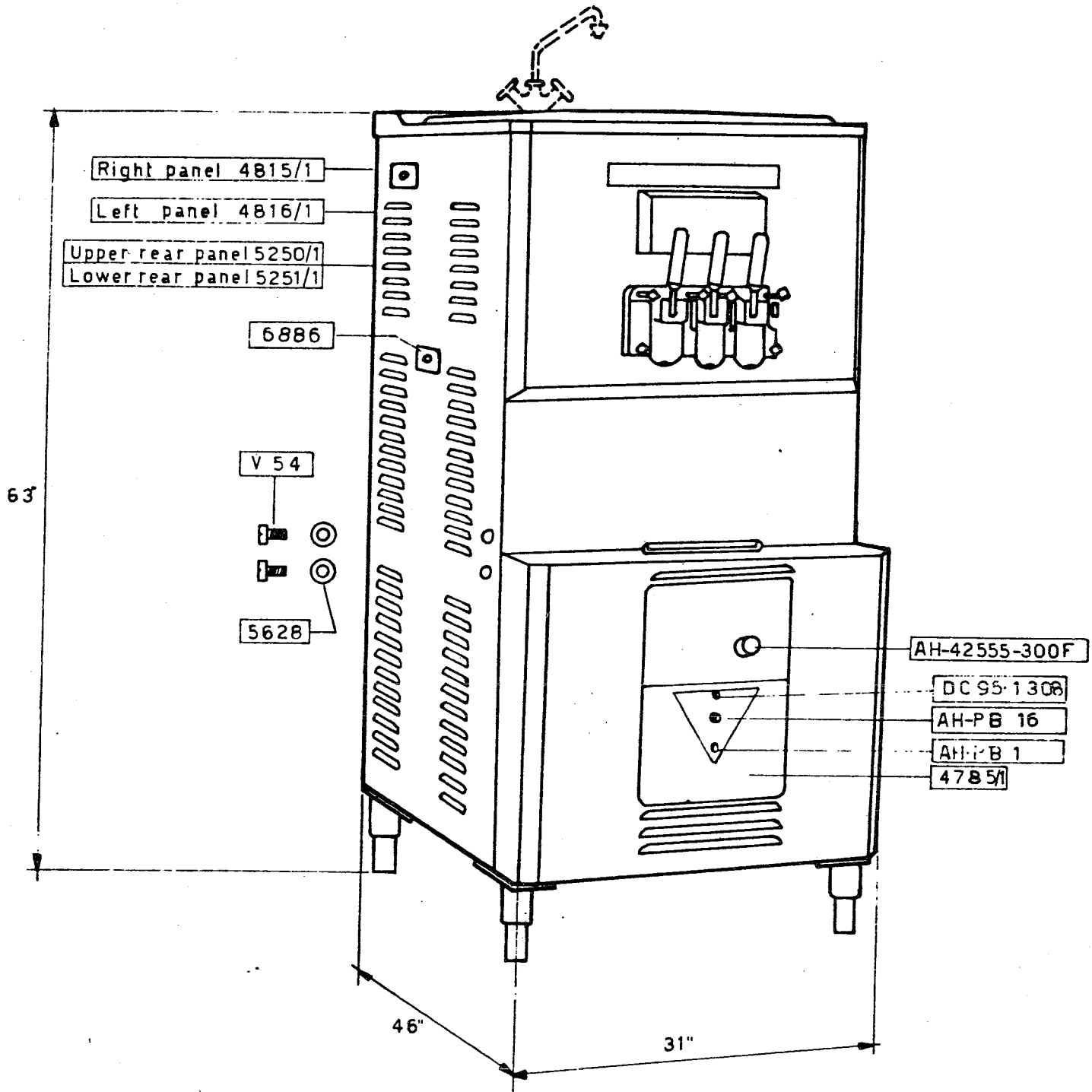
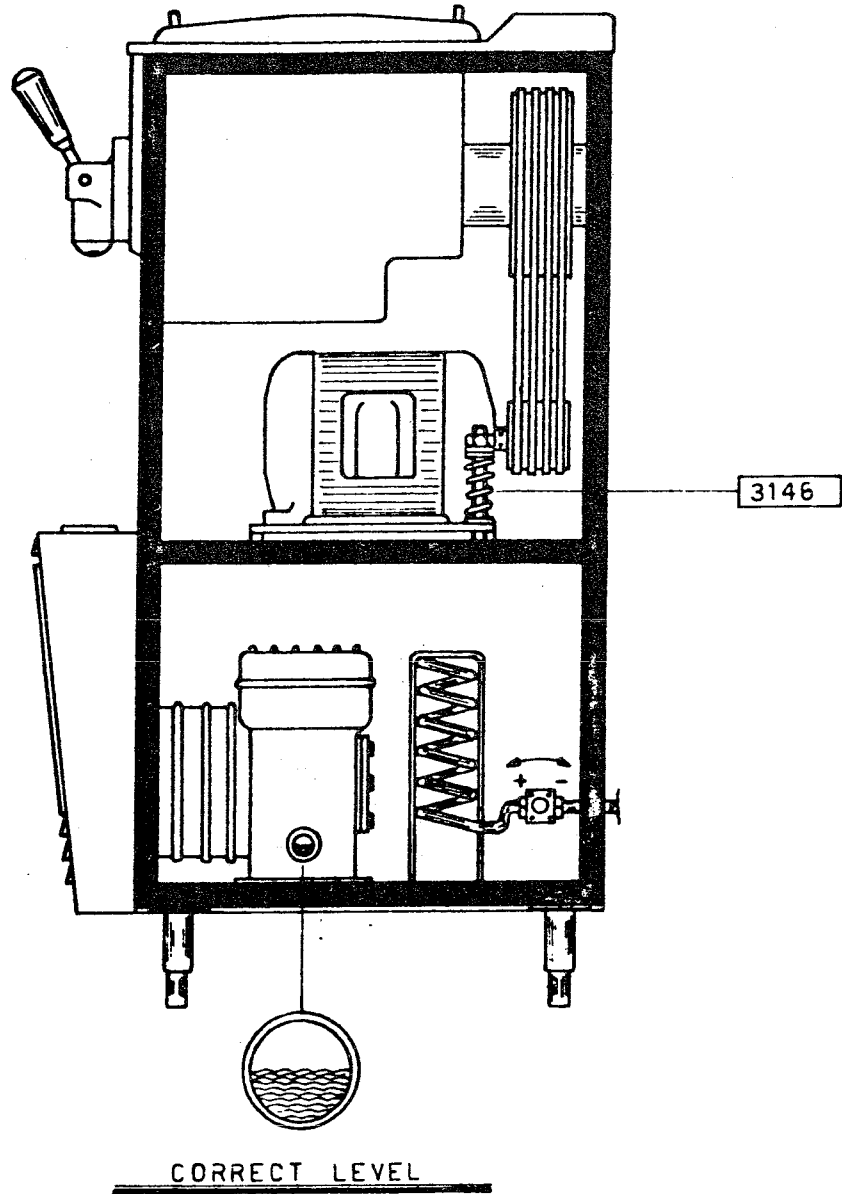


*glycol pump -
Beater Rev. Kit - 5555720
Beater Ex Kit - 1646020*

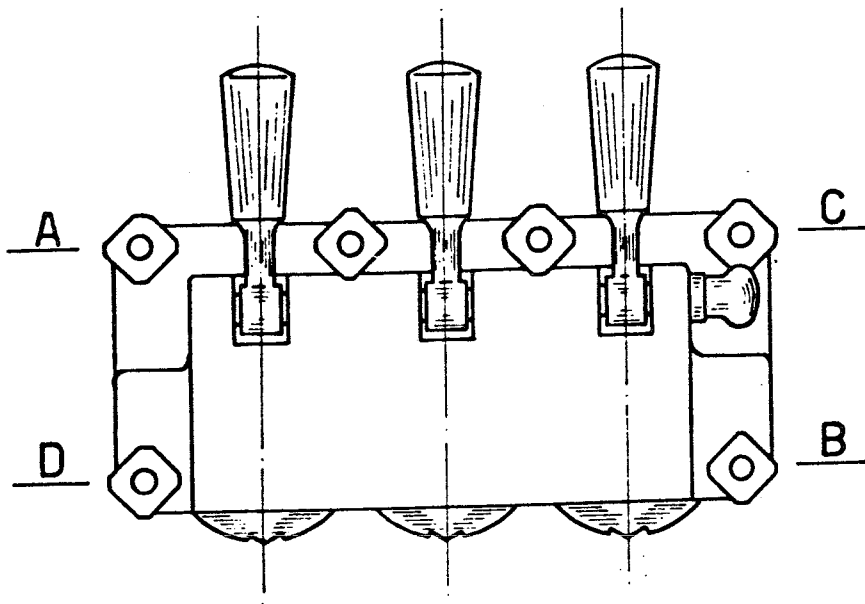
soft SERVE
uf-830
"TWO-N-ONE"





UF-830

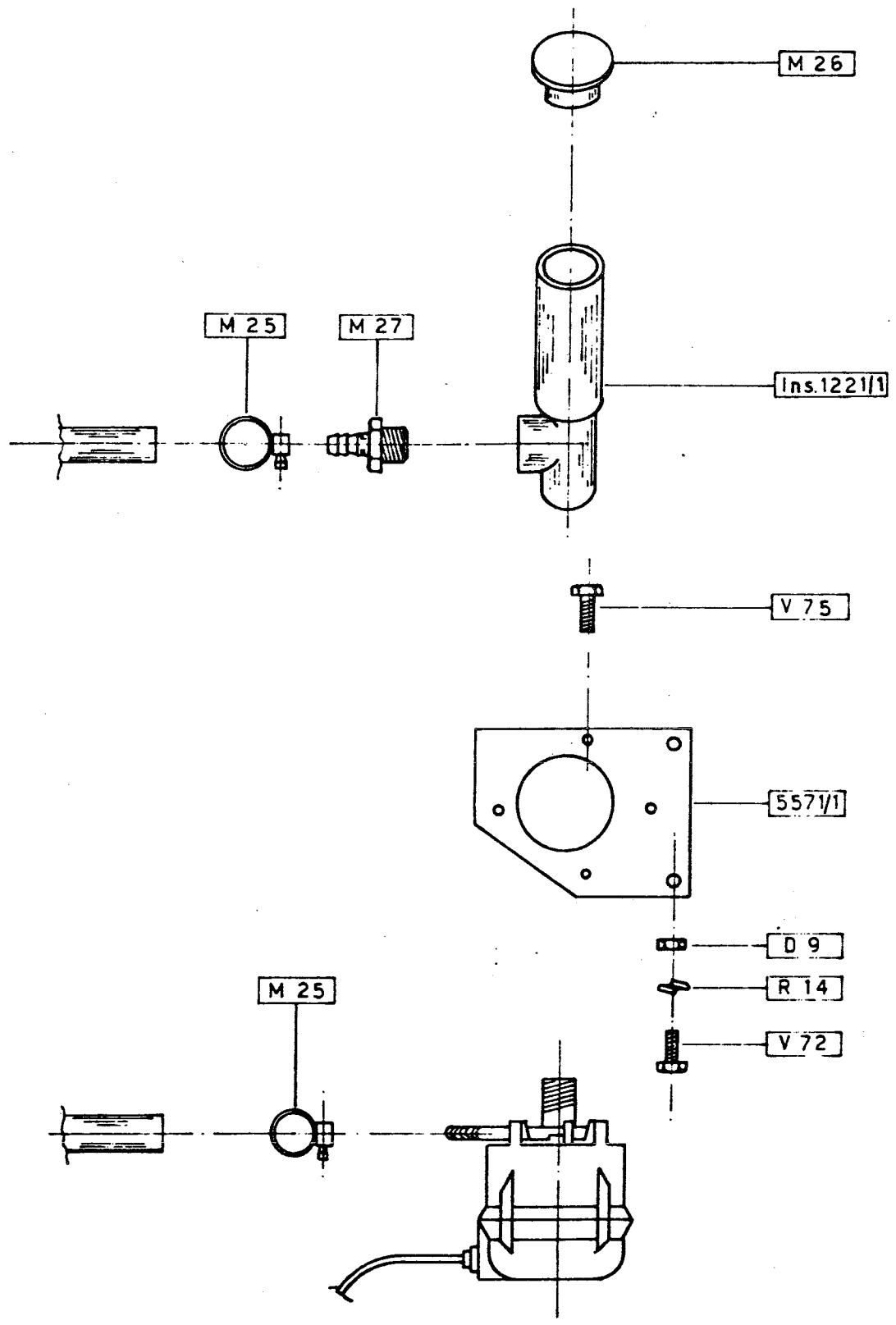
SPIGOT HEAD



TIGHTEN KNOBS ACCORDING TO
LETTER SEQUENCE

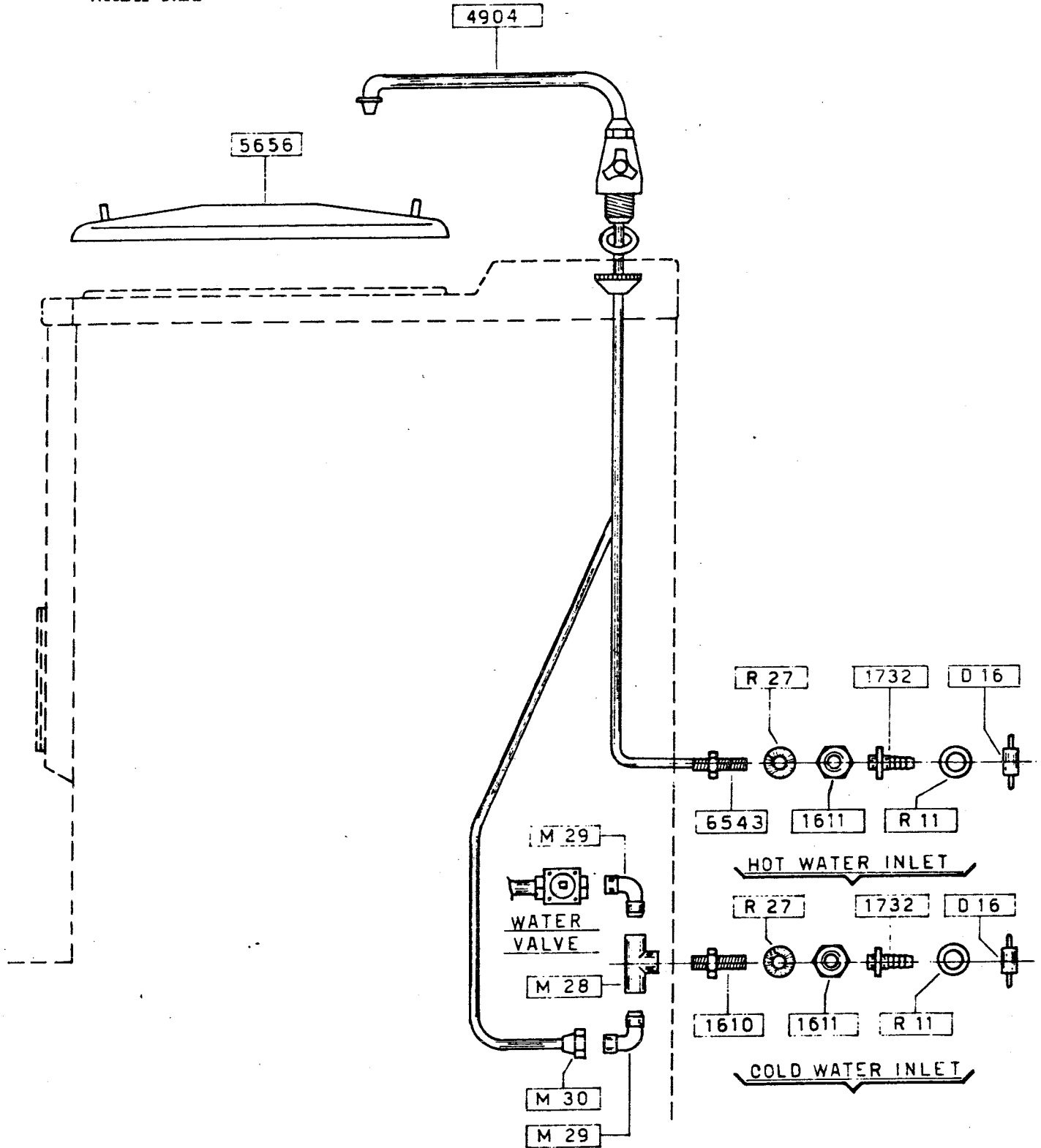
UF-830

GLYCOL PUMP ASSEMBLY



WASH KIT

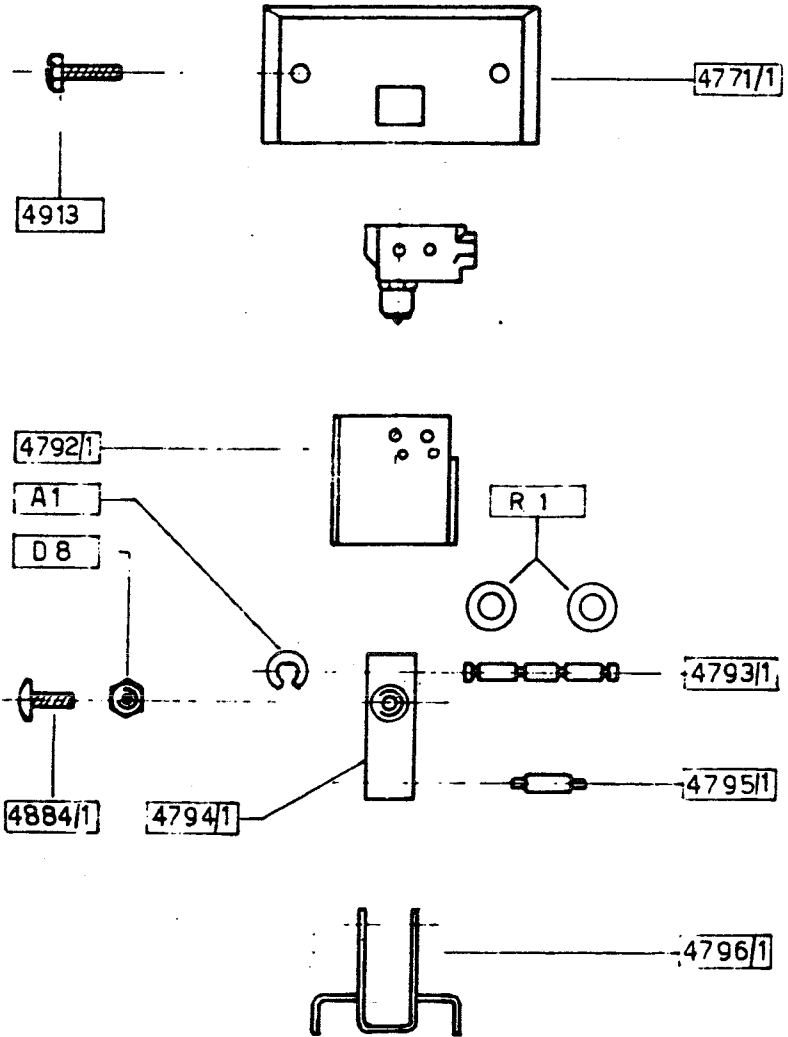
UF-830



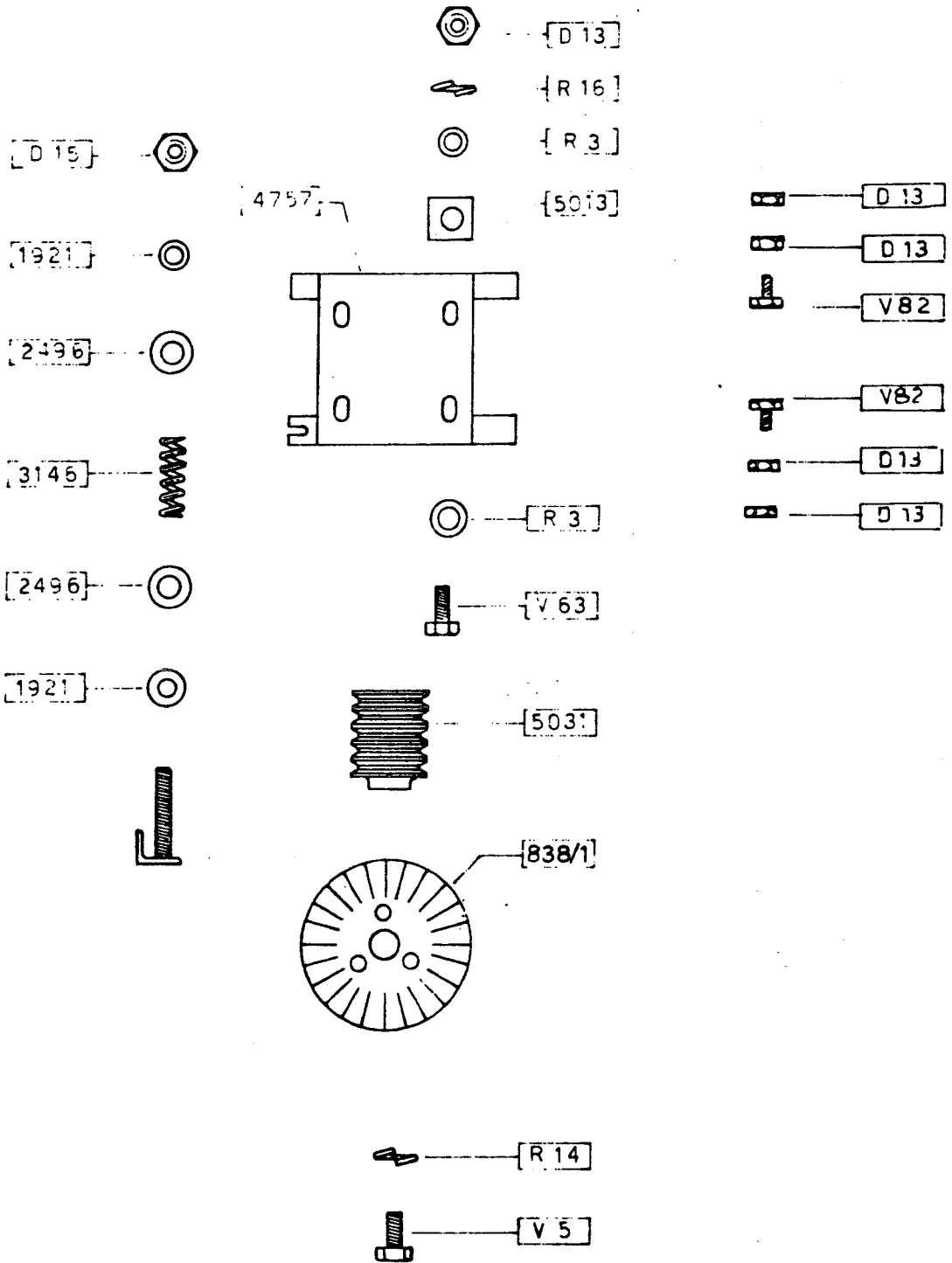
WATER COOLED MACHINE

UF-830

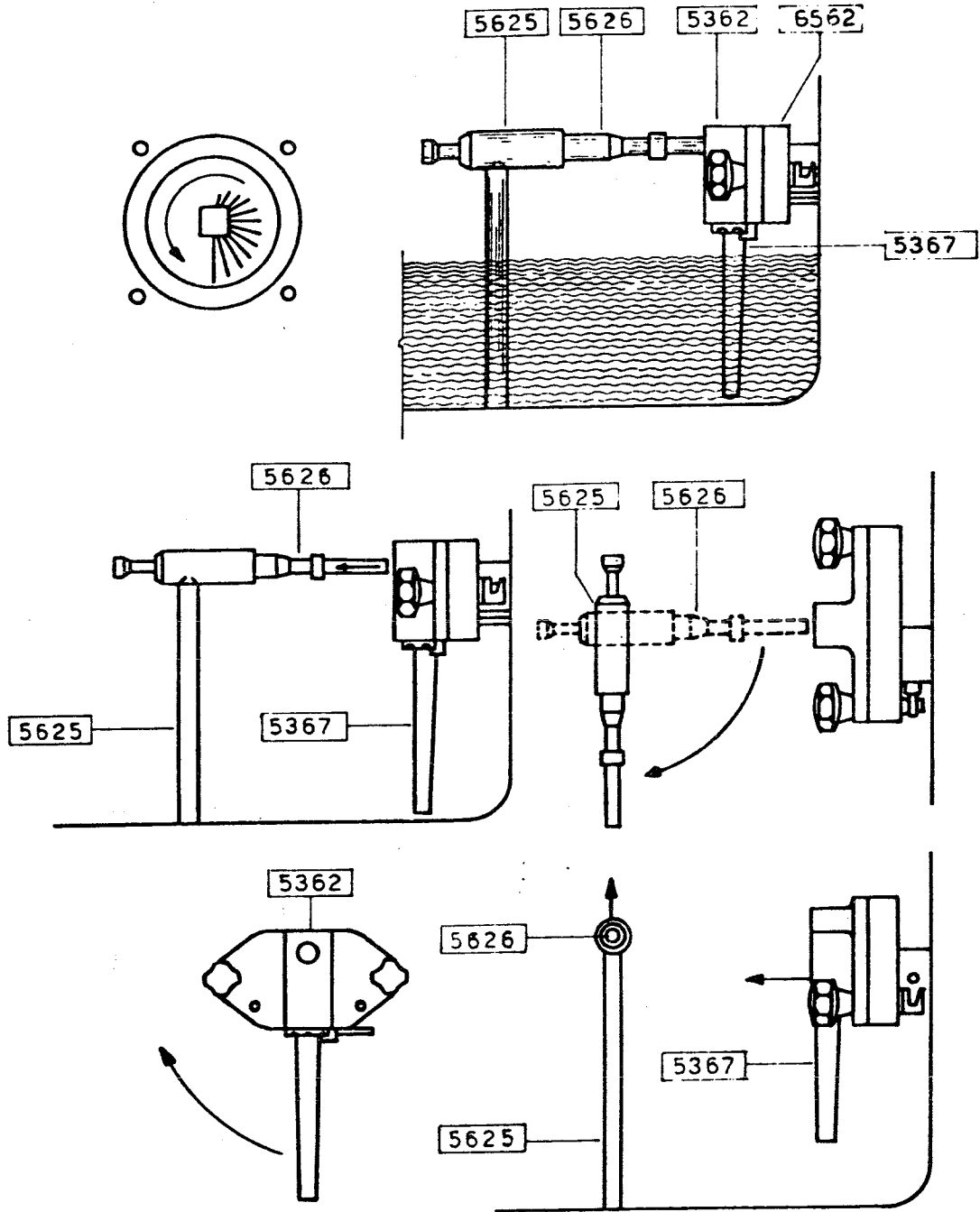
FRONT MICROSWITCH ASSEMBLY



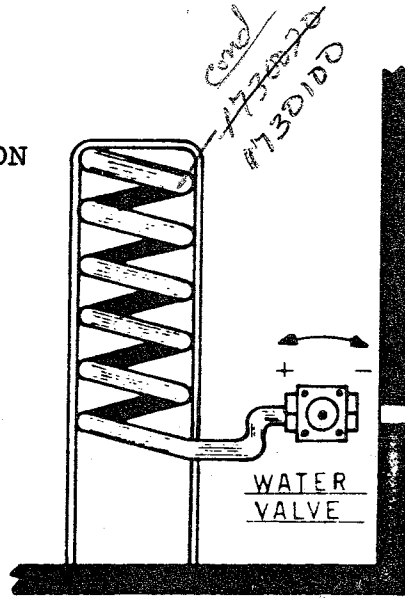
MOTOR MOUNTING ASSEMBLY



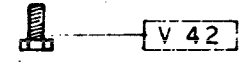
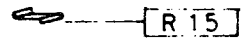
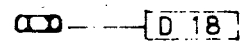
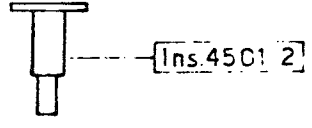
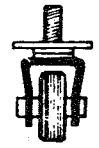
MIX PUMP CONNECTION



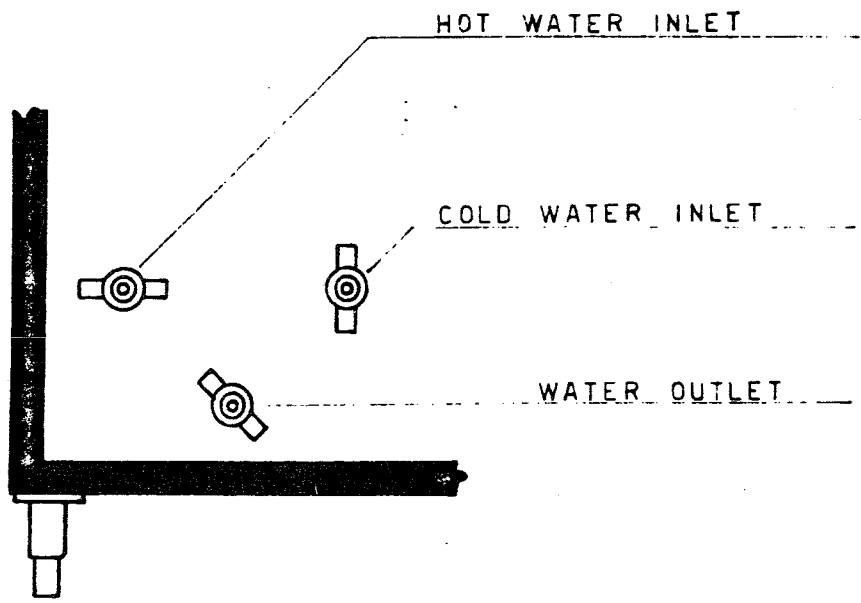
WATER CONNECTION



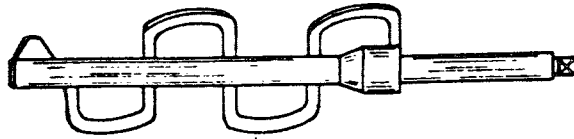
- [1610]
- [R 27]
- [1611]
- [1732]
- [R 11]
- [D 16]



AIR COOLED INSTALLATIONS



BEATER AND
BEATER SEAL

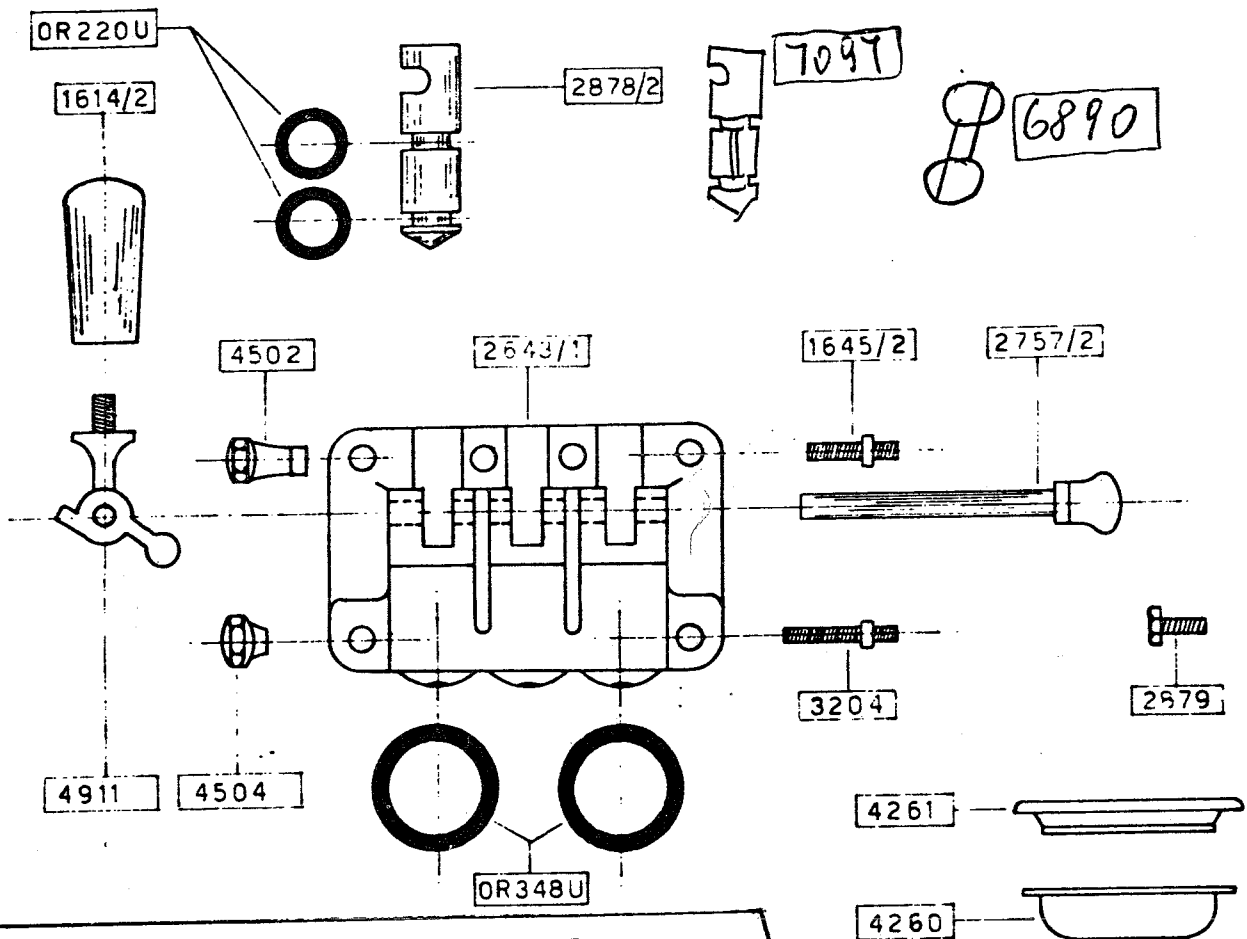


5395

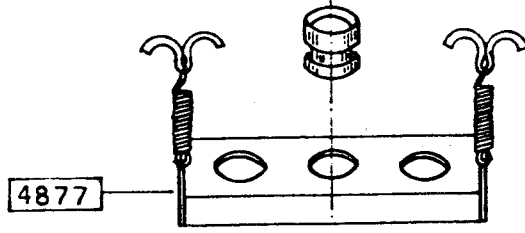


2537

SPIGOT HEAD ASSEMBLY



DRAIN KIT
ASSEMBLY



MIX PUMP ASSEMBLY

4744

R13

A3

5436

RIVAL 25

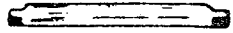
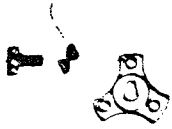
5435

5433

5350

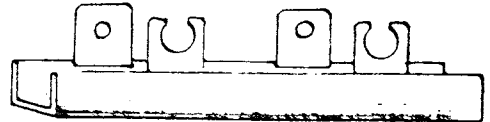


6860



V2

5434



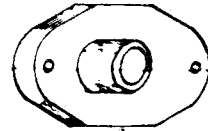
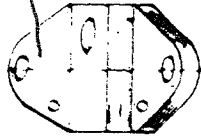
OR113 U



6886

Ins. 1150

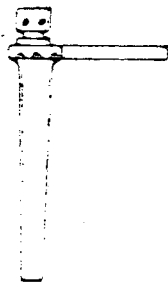
5362/2
1632160



3504

5377

5378



4455/2

4457/1

OR233 U

3280/2

1632010

6562

6564

3279/2

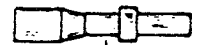
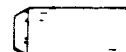
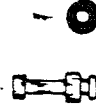
OR113 U



OR117 U

OR222 A

5256



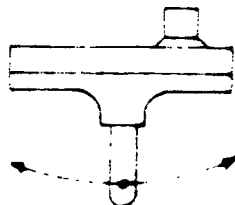
5627/1

5626

5367

OR214 U

5625

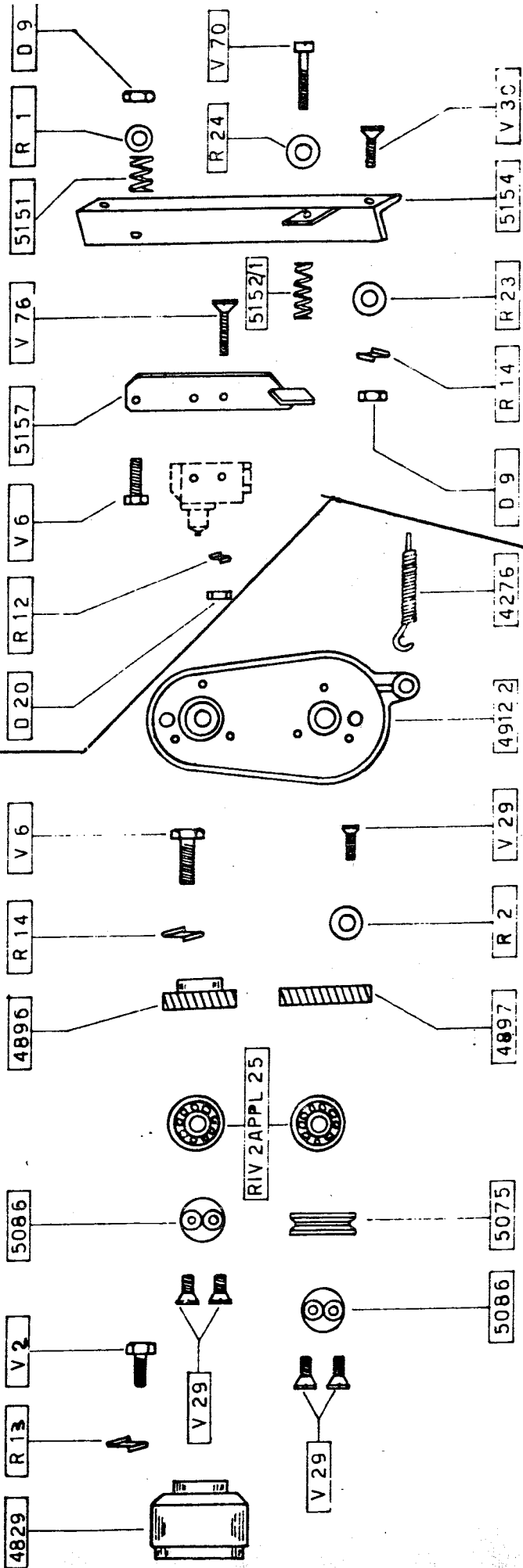


+ MIX
- AIR

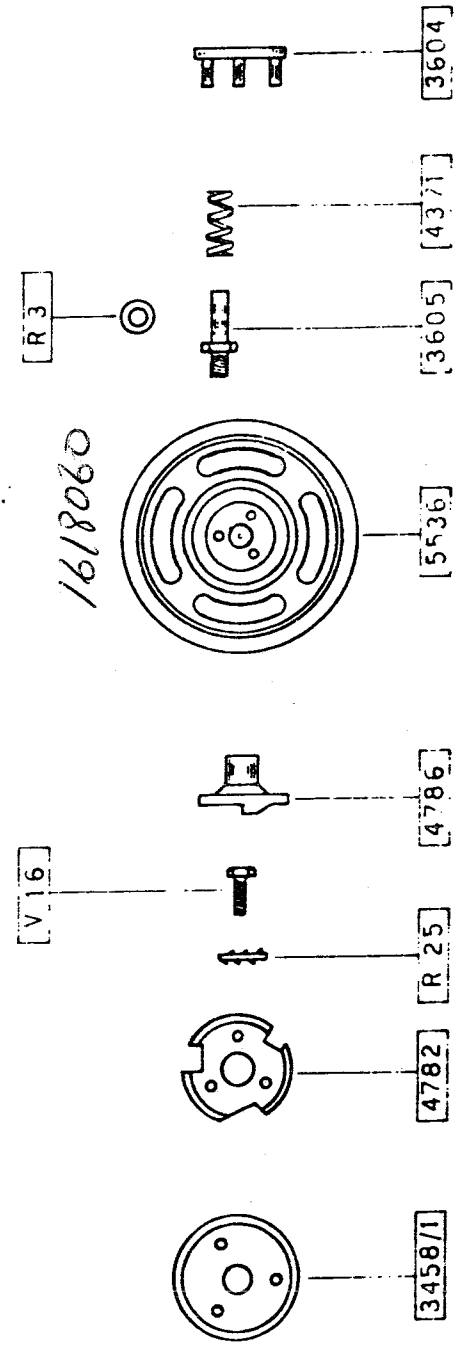
- MIX
+ AIR

MIX PUMP REVERSING ASSEMBLY

UF-830



HARD-O-MATIC ASSEMBLY



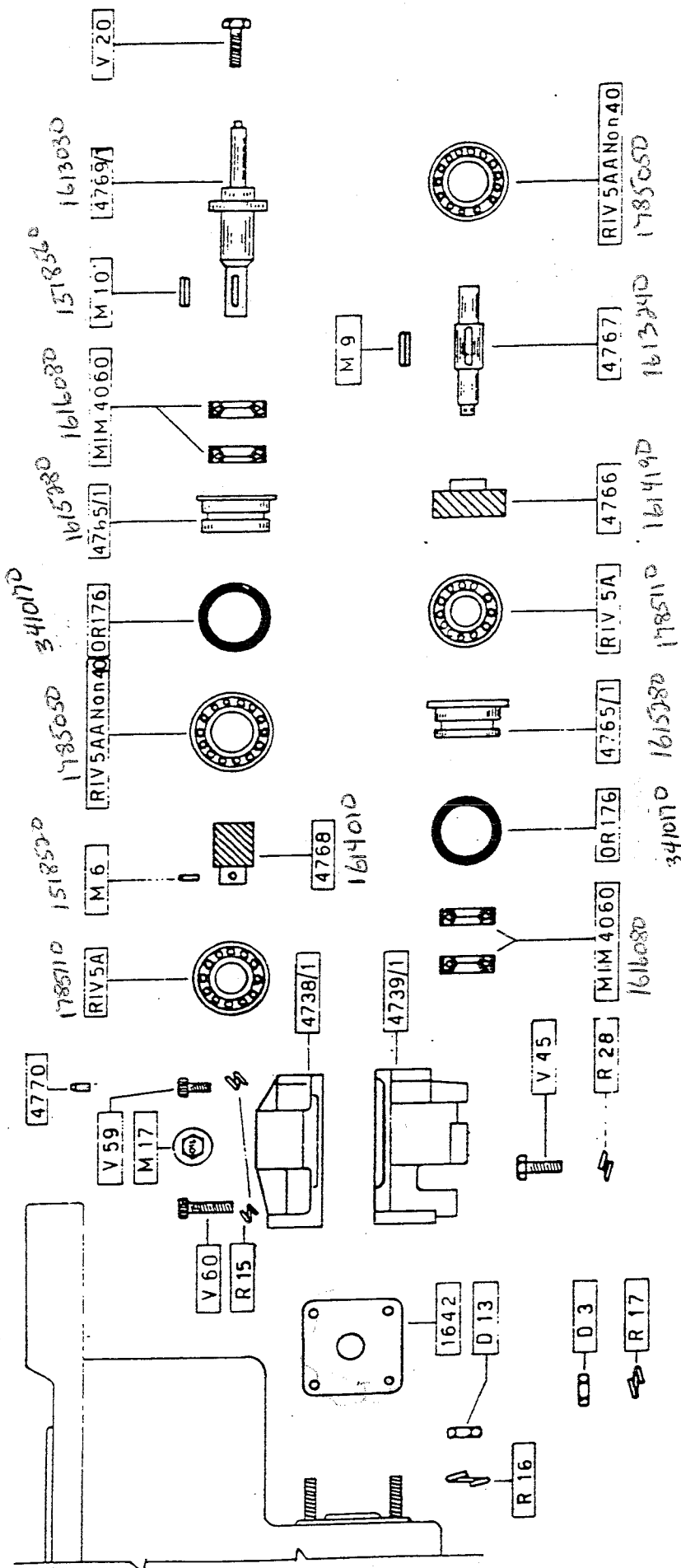
UF-830

UF-830

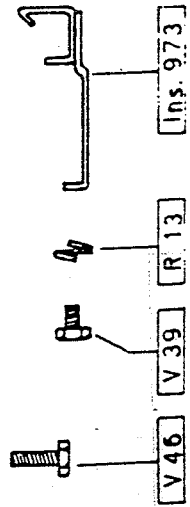
REDUCTION GEAR ASSEMBLY

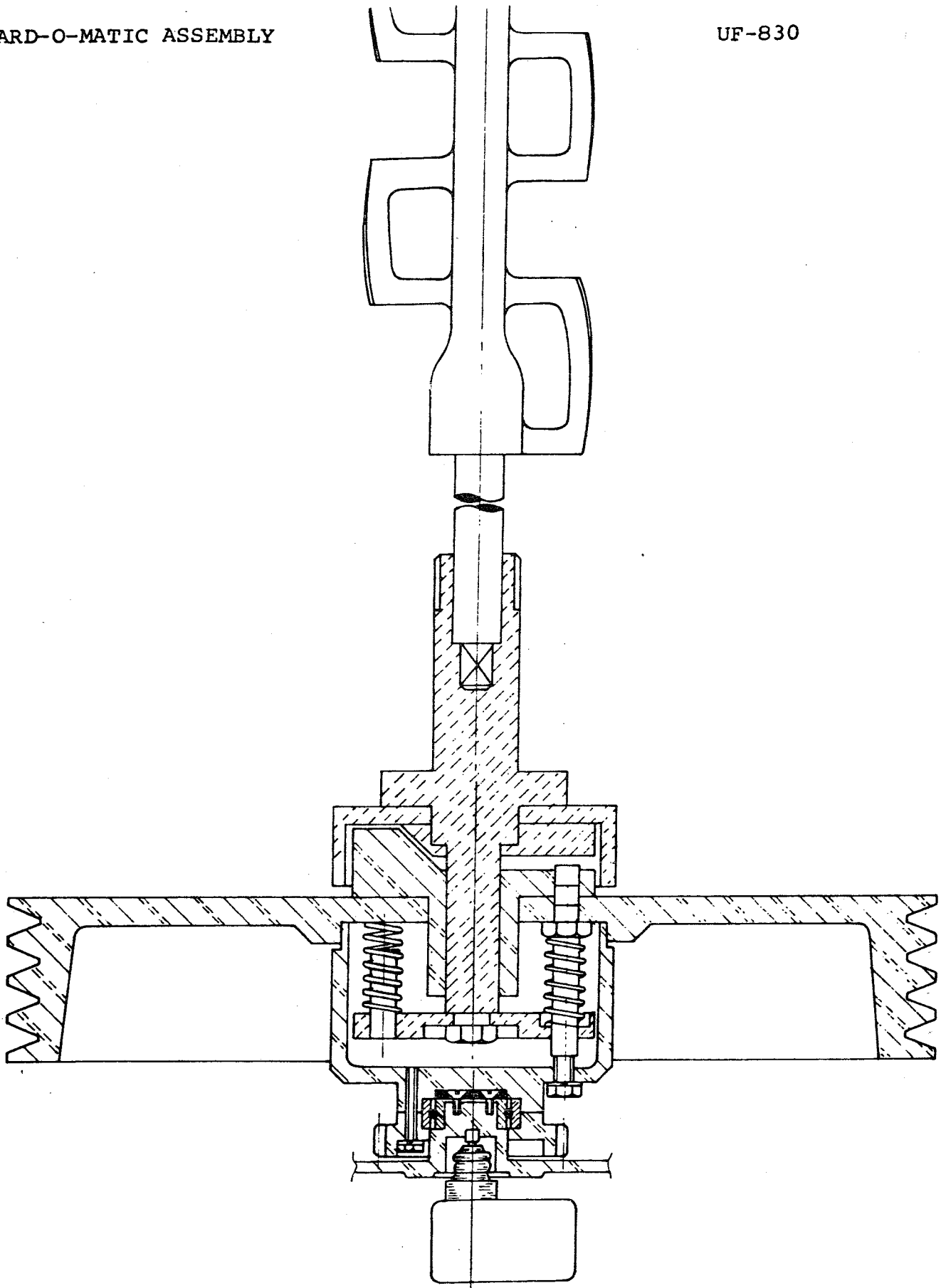
UF-830

REDUCTION GEAR ASSEMBLY



See H's up to 321199





UF-830

CONE DISPENSER ASSEMBLY

