

DAKTRONICS BB-2114 PRODUCT SPECIFICATIONS



This single-sided LED basketball shot clock timer displays shot times up to a value of 99 seconds. It can also count down from any preset time between 0 and 99 seconds. A hand-held start/stop/reset switch is included with purchase. Shot clock shown with optional UniView® digits.

DIMENSIONS	UNCRATED WEIGHT	POWER (120 VAC)
1'-7" H x 1'-10" W x 6" D (483 mm, 559 mm, 152 mm)	15 lb (7 kg)	350 Watts, 2.9 Amps

Note: Models with 240 VAC power at half the indicated amperage are also offered (International Use Only).

DIGITS

- All digits are 13" (330 mm) high
- All digits are red.
- Select PanaView® or UniView® LED digit technology (see [SL-04729](#)).

DISPLAY COLOR

Semi-gloss black

CONSTRUCTION

Durable, lightweight aluminum Tuff Sport® cabinet withstands high-velocity impact from air-filled sports balls without the need for protective screens.

PRODUCT SAFETY APPROVAL

ETL listed, tested to CSA standards and CE labeled for indoor use

OPERATING TEMPERATURES

- Display: -22 to 122° Fahrenheit (-30 to 50° Celsius)
- Console: 32 to 130° Fahrenheit (0 to 54° Celsius)

WWW.DAKTRONICS.COM E-MAIL: SALES@DAKTRONICS.COM

201 Daktronics Drive, PO Box 5128, Brookings, SD 57006
Phone: 1-800-325-8766 or 605-692-0200 Fax: 605-697-4746
DD2481873 110813 Page 1 of 4



DAKTRONICS BB-2114 PRODUCT SPECIFICATIONS

CONTROL CONSOLE

All Sport® 5000*
(see [SL-03991](#))

CONTROL OPTIONS

Wired (standard): One-pair shielded cable of 22 AWG minimum is required. A cover plate with mounted connector and standard 2" x 4" x 2" (51 mm x 102 mm x 51 mm) outlet box is provided. Connector mates with signal cable from control console.

Wireless (optional): 2.4 GHz spread spectrum radio features 64 non-interfering channels and 8 broadcast groups (see [SL-04370](#)).

* Controller not included with standard purchase; timer(s) are typically controlled by the same console controlling the basketball scoreboard(s).

HORN

A vibrating horn sounds automatically when shot clock counts down to zero or manually as controlled by the operator.

GENERAL INFORMATION

Timer provides shot clock timing capabilities. 100% solid state electronics are housed in an all aluminum cabinet. Timer arrives at the site fully assembled. Mounting hardware not included. Specifications and pricing are subject to change without notice.

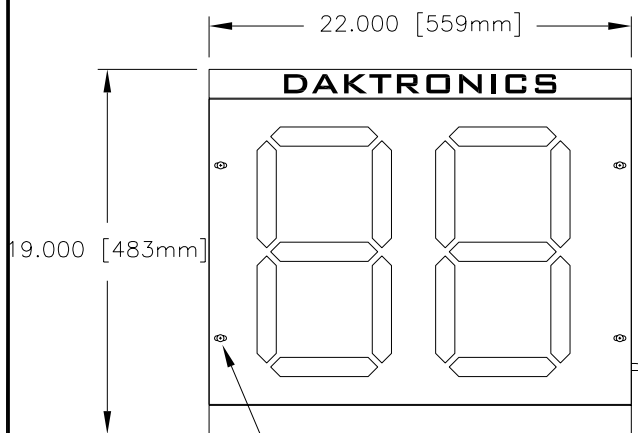
OPTIONS & ACCESSORIES

- Carrying handle
- Portable signal kit
- Visual horn indicator (see [SL-02093](#) or [SL-05489](#))
- Protective screen (see [SL-02551](#))
- Suspension installation kit

FOR ADDITIONAL INFORMATION

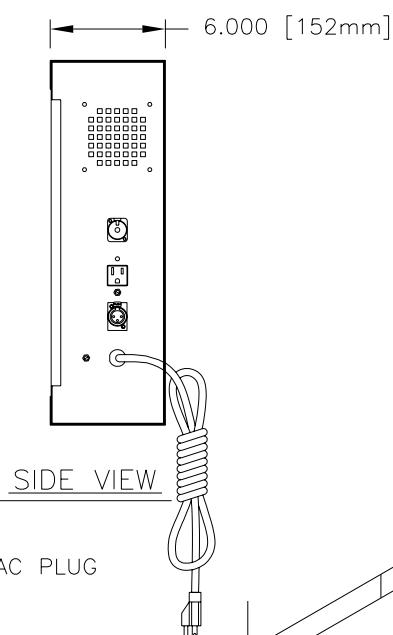
- Mechanical Specifications: DWG-222797 (attached)
- Electrical & Signal Specifications: DWG-1066481 (attached)
- Architectural Specifications: See [SL-04794](#)
- Installation Manual: See [DD2481645](#)
- Service Manual: See [DD2481648](#)

BB-2114



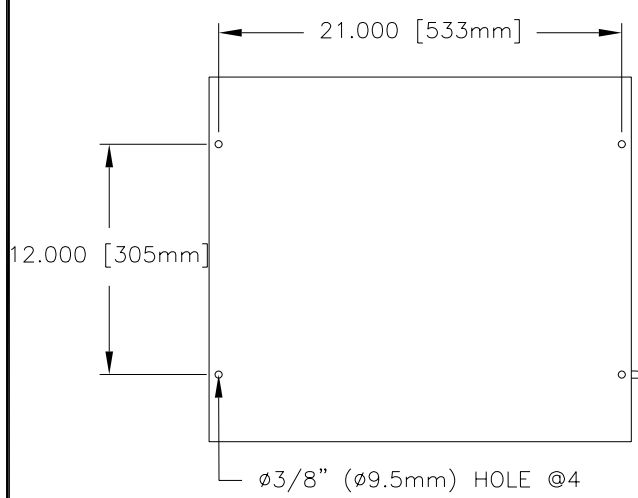
FRONT VIEW

REMOVE THESE FOUR SCREWS TO ACCESS COMPONENTS INSIDE THE DISPLAY.



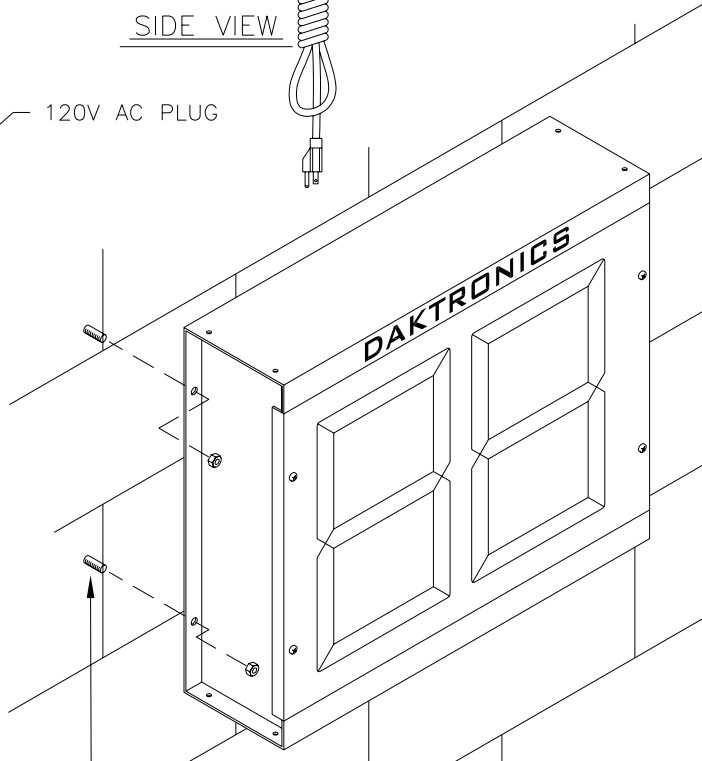
SIDE VIEW

120V AC PLUG



REAR VIEW

ø3/8" (ø9.5mm) HOLE @4



MOUNTING BOLTS (NOT PROVIDED)
USE 1/4" TO 3/8" (7mm TO 9mm) BOLTS

WALL MOUNTING DETAIL

NOTES:

1. MOUNTING HARDWARE IS NOT PROVIDED.
2. SEE DRAWING NO. 1009-R10A-91230 FOR SUGGESTIONS ON MOUNTING TO CEILING-SUSPENDED BACKSTOPS.
3. FOR PORTABLE BACKSTOPS, CONTACT THE BACKSTOP MANUFACTURER FOR MOUNTING HARDWARE.
4. THE SCOREBOARD IS SHOWN WITH UNIVIEW™ DIGIT TECHNOLOGY. SEE DRAWING A-158550 FOR MORE DETAILS.

WEIGHTS	
SHIPPING WEIGHT	MOUNTING WEIGHT
20 LBS (10 KG)	15 LBS (7 KG)

TUFF SPORT™ & UNIVIEW™ ARE TRADEMARKS OF DAKTRONICS

THE CONCEPTS EXPRESSED AND DETAILS SHOWN ON THIS DRAWING ARE CONFIDENTIAL AND PROPRIETARY. DO NOT REPRODUCE BY ANY MEANS, INCLUDING ELECTRONICALLY WITHOUT THE EXPRESSED WRITTEN CONSENT OF DAKTRONICS, INC. COPYRIGHT 2004 DAKTRONICS, INC.

DAKTRONICS, INC. BROOKINGS, SD 57006

PROJ: TUFF SPORT SCOREBOARDS

TITLE: MECHANICAL SPEC, BB-2114

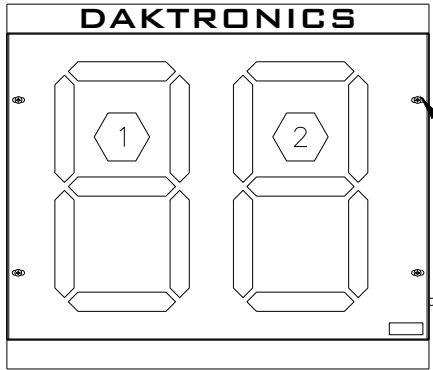
DES. BY: EREBHANN DRAWN BY: JBANNWA DATE: 02 SEP 04

REVISION	APPR. BY:	1237-E10A-222797
00	SCALE: 1=10	

REV.	DATE	DESCRIPTION	BY	APPR.

BB-2114

DIGIT, SIGNAL AND POWER SPECIFICATIONS:



FRONT VIEW

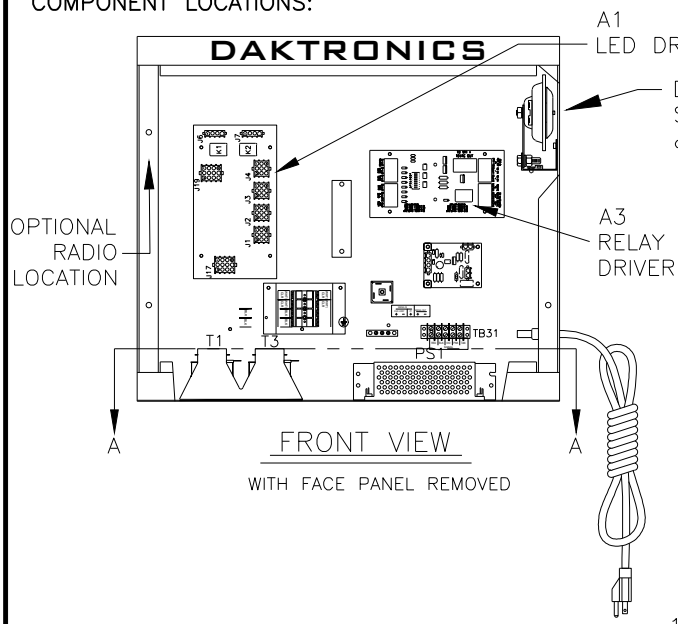
TO GAIN ACCESS TO THE INTERIOR COMPONENTS, REMOVE THE FOUR SCREWS SECURING THE FACE PANEL.

NOTES:

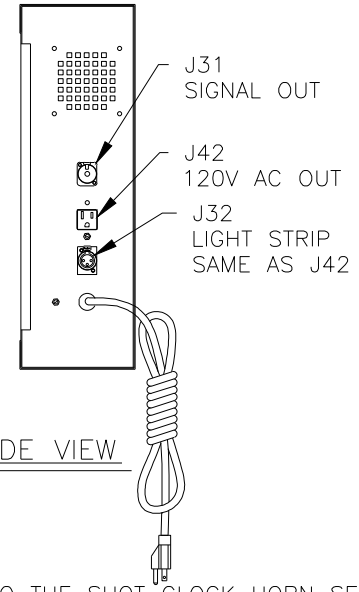
1. USE MINIMUM OF 22AWG, SHIELDED, TWO CONDUCTOR CABLE FOR SIGNAL TERMINATION.
2. THE NUMBER LISTED BY EACH DIGIT INDICATES THE DIGIT DESIGNATION IN RELATION TO THE LED DRIVER.
3. **DO NOT WORK ON ENERGIZED DISPLAY UNLESS YOU ARE A CERTIFIED ELECTRICIAN OR DIRECTED BY DAKTRONICS.**
4. THE SCOREBOARD IS SHOWN WITH UNIVIEW DIGIT TECHNOLOGY. SEE DRAWING A-158550 FOR MORE DETAILS.

ADDRESS INFORMATION	
DRIVER:	A1
ADDRESS:	1

COMPONENT LOCATIONS:



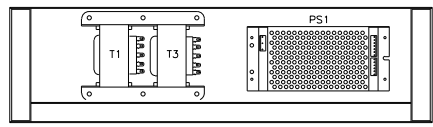
FRONT VIEW
WITH FACE PANEL REMOVED



SIDE VIEW

NOTES:

1. DS1 IS CONNECTED TO THE SHOT CLOCK HORN SEGMENT.
2. J42 IS CONNECTED TO THE GAME CLOCK=0 SEGMENT.
3. TO CHANGE DEFAULT FUNCTION OF HORN, RECONNECT GRY PIGTAIL WIRES AT TB1 ON A3 TO A DIFFERENT VALUE.
- *4. IN DECEMBER 2012, TRANSFORMER (T4) WAS REPLACED WITH A POWER SUPPLY. REFER TO FINAL ASSEMBLY DRAWINGS FOR CURRENT COMPONENT LOCATIONS. DWG-1059340 & DWG-1059341.



SECTION: A-A

TUFF SPORT™ & COLORSMART™ ARE TRADEMARKS OF DAKTRONICS

DAKTRONICS, INC. BROOKINGS, SD 57006	<small>THE CONCEPTS EXPRESSED AND DETAILS SHOWN ON THIS DRAWING ARE CONFIDENTIAL AND PROPRIETARY. DO NOT REPRODUCE BY ANY MEANS WITHOUT THE EXPRESSED WRITTEN CONSENT OF DAKTRONICS, INC. COPYRIGHT 2011 DAKTRONICS, INC.</small>		
	DO NOT SCALE DRAWING		
PROJ: TUFF SPORT SCOREBOARD TITLE: ELECTRICAL AND SIGNAL SPEC; BB-2114			
DESIGN: CHAMILT	DRAWN: CHAMILT		DATE: 23 AUG 11
SCALE: 1:10			
SHEET	REV	JOB NO:	FUNC-TYPE-SIZE
	02	P1237	E-10-A
			1066481

REV 02	DATE: 22 OCT 13	PER EC-12261 ADDED OPTIONAL RADIO LOCATION NOTE	BY: PH
REV 01	DATE: 4 JAN 13	ADDED NOTE #4	BY: MBJ