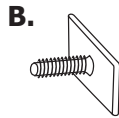
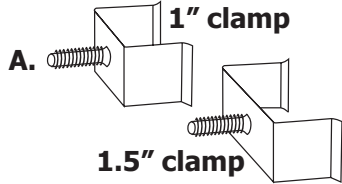


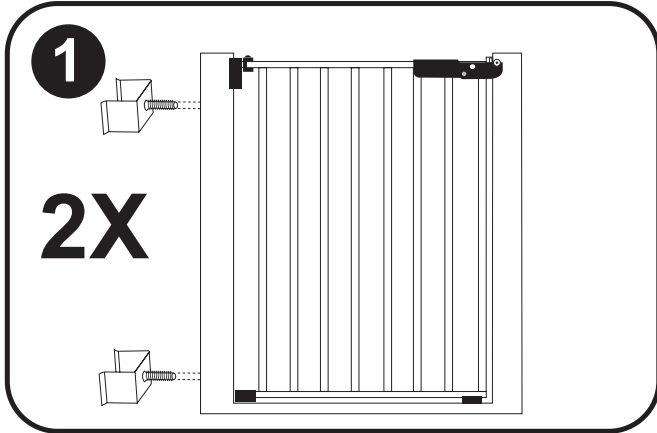
# LOCK 'N BLOCK SLIDING DOOR GATE®

FOR SLIDING GLASS DOORS

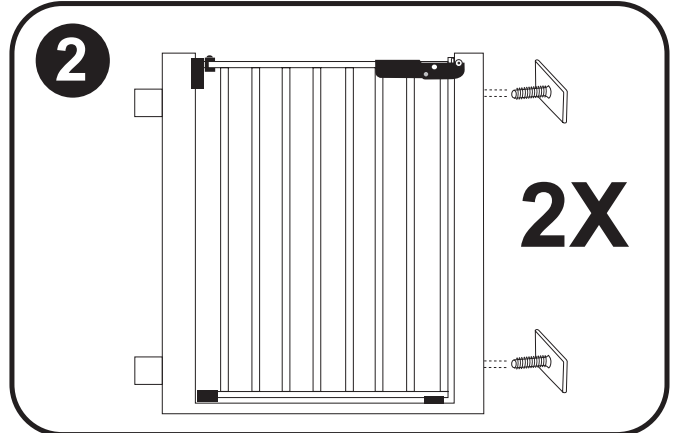
## ASSEMBLY INSTRUCTIONS



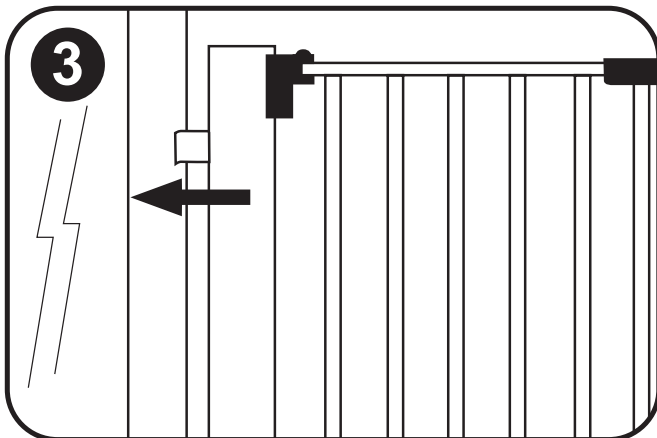
**THIS GATE IS NOT RECOMMENDED FOR TOP OF STAIRWAY USE.**



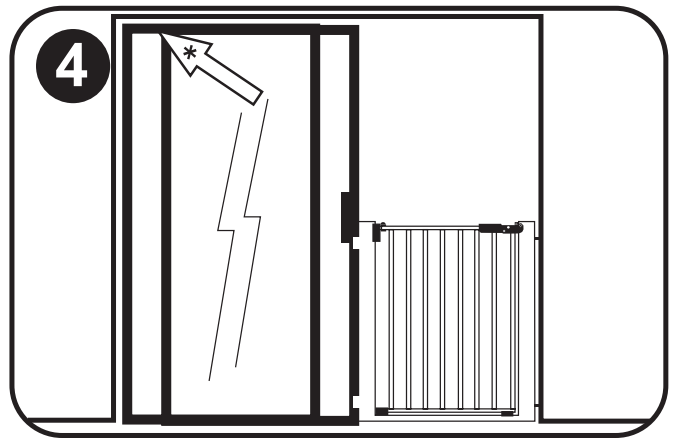
1. Choose appropriate screw-in clamps for your door. Screw clamps (A) into gate. These clips will fasten to open sliding door.



2. Screw stabilizer pads (B) into opposite side of gate. These pads will fit into C-channel of door frame.

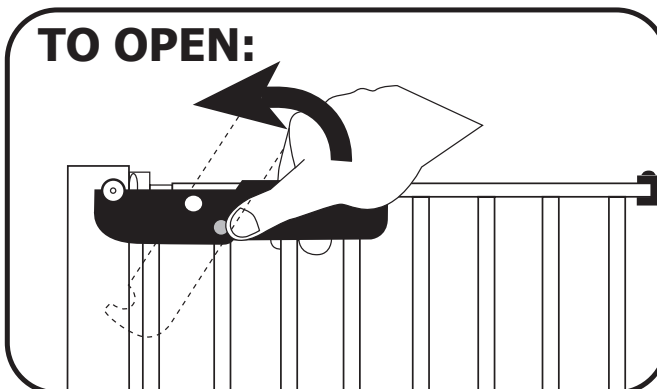


3. Attach gate to open door with clamps, fitting gate into door jam. Close door to lock in gate.

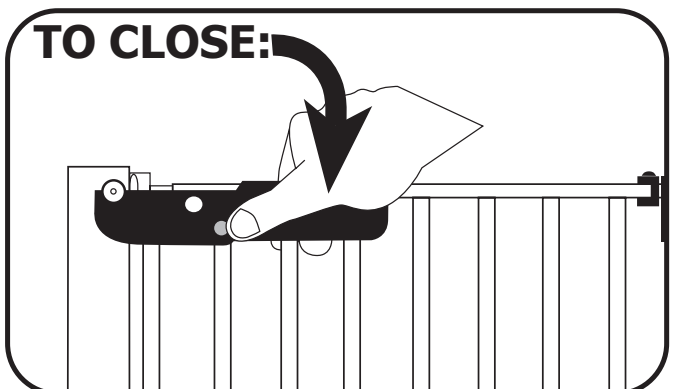


4. Screw door stop (D) to sliding track to secure sliding door (\*).

## GATE OPERATION



Push red safety button and lift handle 90° upwards. Pull gate to open.



Close gate and lower lever back to original position. Gate will click when locked.

**! WARNING:** TO PREVENT SERIOUS INJURY OR DEATH, SECURELY INSTALL GATE OR ENCLOSURE AND USE ACCORDING TO MANUFACTURER'S INSTRUCTIONS. NEVER USE WITH A CHILD ABLE TO CLIMB OVER OR DISLodge/OPEN THE GATE ENCLOSURE. NEVER LEAVE CHILD UNATTENDED. USE ONLY WITH THE LOCKING/LATCHING MECHANISM SECURELY ENGAGED.

## GATE MAINTENANCE

To clean, rinse with lukewarm water, wash gently with mild soap or detergent and lukewarm water, using a soft cloth or sponge. Rinse again. Dry with a soft cloth or sponge to prevent water spotting. DO NOT SCRUB or use brushes or squeegees.

## GATE CARE & REMINDERS

Our gates are built to last many years with proper use and care. Here are a few suggestions...

- Close gates gently - do not slam - to prevent damage to latch mechanism.
- When closing, be sure safety bracket on gate frame engages as depicted in instructions.
- For safety, always close gate when not in use. Children should not be allowed to swing on an open gate as this can damage hinge mount.
- Periodically check all screws, bolts, etc. for security and proper adjustment.

**CARDINAL GATES, INC.**, offers many accessories such as extensions, stair kits, and other safety products. Check with your dealer or call **CARDINAL GATES, INC.** at 1-800-318-3380.

We sincerely hope that you thoroughly enjoy many years of service from your **CARDINAL GATE**.

## GATE WARRANTY

Your Cardinal Gate is warranted to be free of manufacturing defects for a period of one year from the date of purchase when used in homes, and according to manufacturers instructions. When used commercially, such as day care centers, the warranty is 90 days.

Cardinal Gates, Inc. will either repair or replace, at our option, any parts necessary to correct defects in material or workmanship during the warranty period. The warranty disclaims liability for incidental, special and consequential damages of any nature.

### TO EXERCISE WARRANTY:

Ship your gate in a protective carton, freight prepaid to:  
CARDINAL GATES, INC.  
79 Amlajack Way  
Newnan, GA 30265

### You must include the following:

1. Proof of purchase (store receipt, etc.).
2. Brief note describing problem with gate.
3. Full return address along with phone number.

### FOR FURTHER ASSISTANCE

Call 1-800-318-3380

# CARDINAL GATES

If it's a Cardinal, It's the Best!

79 Amlajack Way  
Newnan, GA 30265  
770-252-4200  
[www.cardinalgates.com](http://www.cardinalgates.com)

