



GENUINE ACCESSORIES

PORT INSTALLATION INSTRUCTIONS

PART NUMBER:

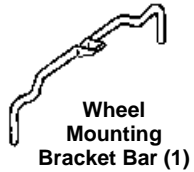
APPLICABLE MODELS:

0000-8X-K01

Spare Tire Kit

2004 > RX-8

PACKAGE CONTENTS



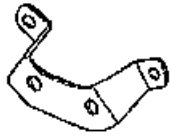
Wheel Mounting Bracket Bar (1)



Rivet (2)



Spare Tire w/Wheel (1)



Bar Mounting Bracket (2)



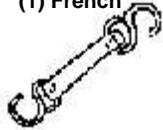
Caution Label (2)
(1) English
(1) French



Cover (1)



Clamp Bracket (2)



Hook (1)



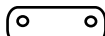
Rubber Cushion (1)



Knob (1)



Black Rubber Pad (2)



Shim (6)



Washer (2)



Clamp Disc (1)



White Rubber Pad (2)



Bolt (2)

TOOLS REQUIRED

5/32" Punch

Pop-rivet Gun

Utility Knife

Hammer

De-burring Tool

Power Drill

5mm Drill

Tarp

Torque Wrench (ft/lbs or Nm)

Touch-up Paint

Socket Wrench

12mm Socket

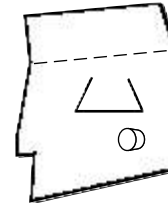
15mm Socket

Soft Cloth

Rubbing Alcohol

Grease Pencil

TEMPLATE REQUIRED (Port Only)



Cutting template (1)

1

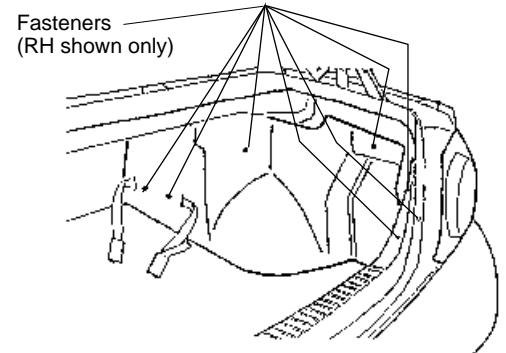
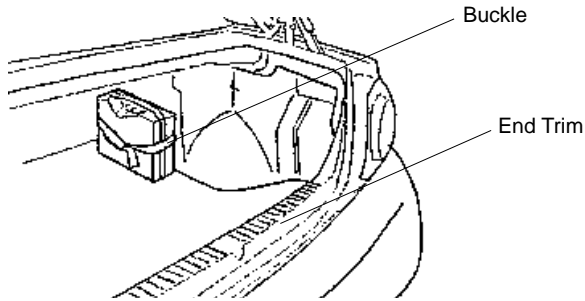
Before Installation

1. Read entire installation instruction before proceeding.
2. Be careful not to damage the paint or components.

2

Vehicle Preparation

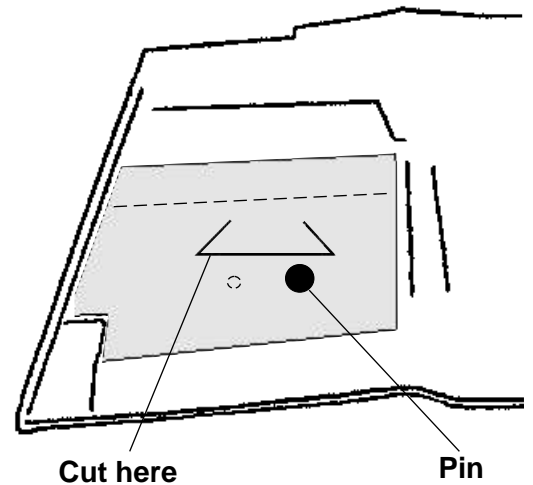
1. Unbuckle strap and remove flat tire repair kit and set aside.
2. Remove 13 plastic fasteners that secure trunk liner to vehicle. Retain fasteners.
3. Remove plastic trunk 'End Trim'.



3

Prepare trunk liner for installation

1. Position the cutting template on the trunk liner by inserting the pin in the hole as shown. The top of the template will fit the contour of the liner.
2. With a utility (razor) knife, slit the fabric trunk trim as indicated on the template, thus making a flap.
3. Remove the felt ONLY on the rear of the trunk trim in that area.
4. Repeat on drivers side.

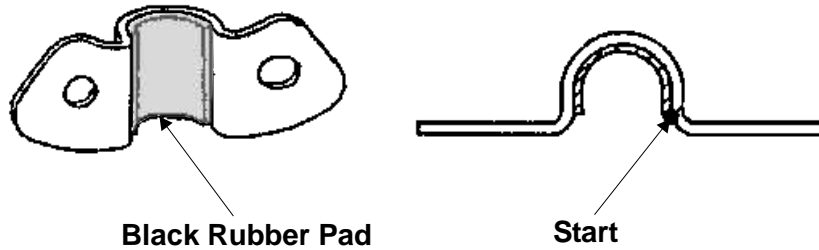


NOTE: View shown is the FRONT of the passenger side trunk liner.

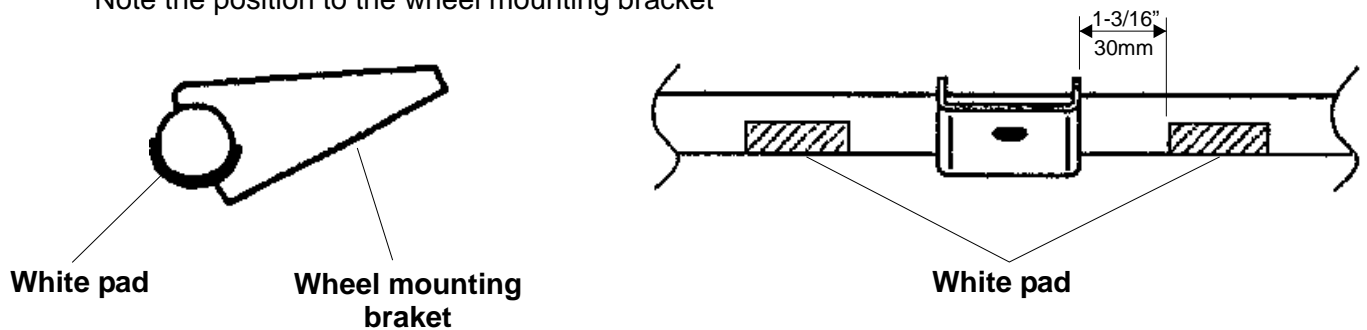
5

Prepare Mounting Bracket Bar

1. Adhere black rubber pads to bar clamp bracket as shown.



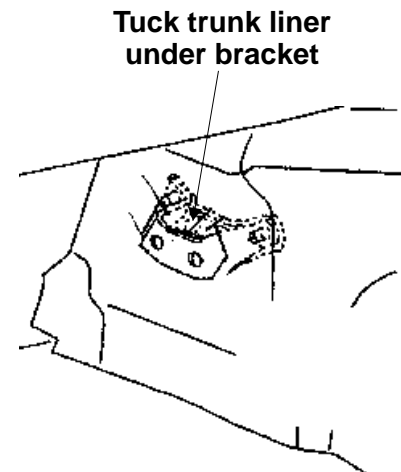
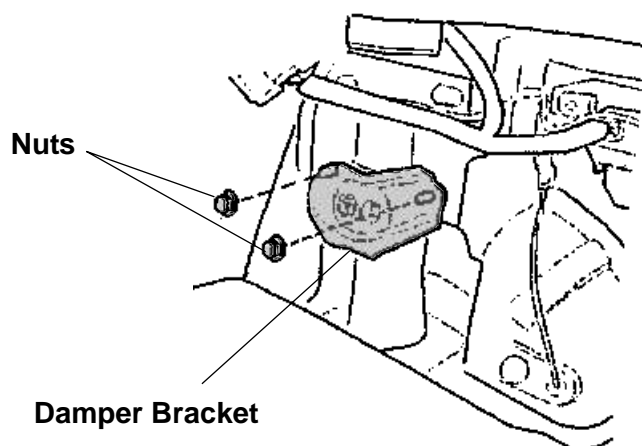
2. Adhere white pads to wheel mounting bracket bar as shown.
Note the position to the wheel mounting bracket



4

Bar Mounting Bracket Installation

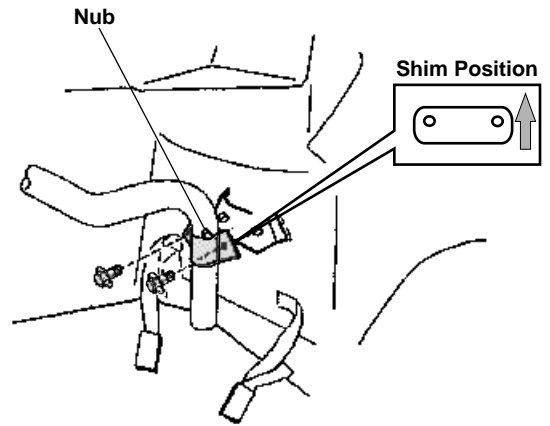
1. Using a 14mm socket wrench, remove the (2) damper bracket nuts.
2. Install the bar mounting bracket, where shown, then tighten using the damper bracket nuts.
(Tighten to 37-52Nm ~ 27-38 ft/lbs)
3. Repeat on other side.
4. Fit the trunk liner on both sides making sure the bar mounting bracket fits through the slitted opening. Make minor adjustments to the slits as needed.
4. Replace all plastic fasteners.



6

Install Wheel Mounting Bracket Bar

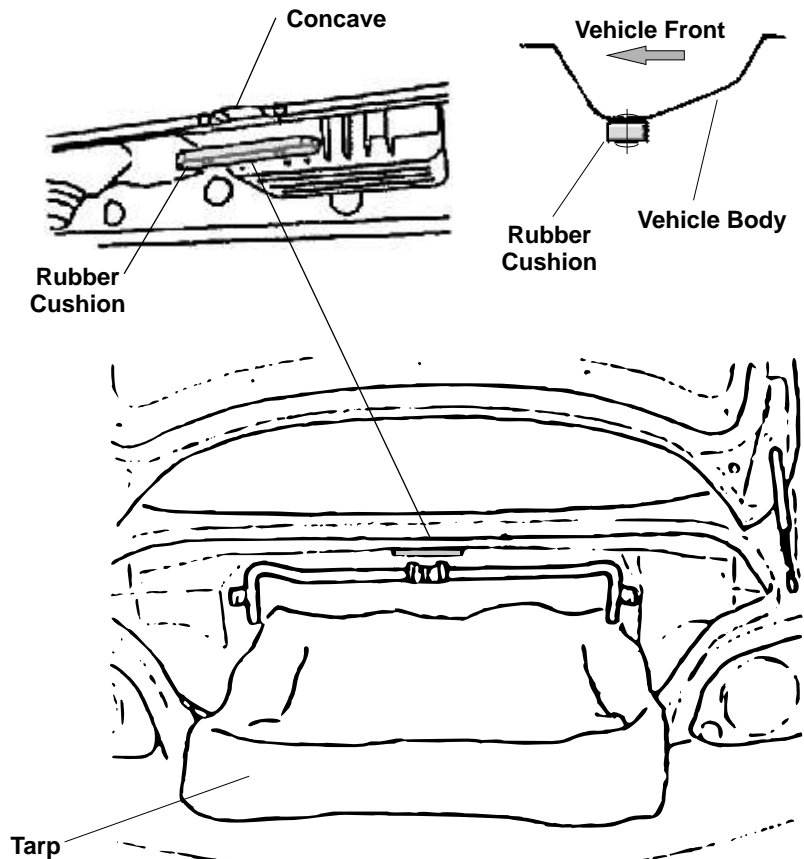
1. Temporarily attach the wheel mounting bracket bar using the bar clamp and 2 bolts provided. If there is clearance between the two mounting surfaces add a shim to eliminate the gap.
2. Once fit is confirmed, install the bar and clamps making sure the nub on the pipe is resting on the top of the clamp as shown. Tighten the bolts to using a 12mm Socket wrench to: 36-39Nm (26-29ft/lbs.).



7

Install Rubber Bumper

1. Place tarp inside trunk to catch metal shavings.
2. Mark hole locations by holding the rubber cushion in position centering it over the concave on the body as shown. Using a 5/32 punch and a hammer, mark the hole locations by inserting the punch through the holes and tapping it with the hammer.
3. Remove rubber cushion and look at marks to verify location.
4. Drill two 5mm holes.
5. Paint bare metal with touch-up paint to prevent rust.
6. Using a pop rivet gun and rivets, mount rubber cushion to vehicle. Verify rivets are tight against rubber cushion, if not tap with hammer to insure a good fit.
7. Remove cloth from trunk.



8

Spare Tire Installation

1. Adhere the caution label on the wheel as shown. (Figure A)
2. Install tire cover as shown. Keep unzipped. (Figure B).
3. Attach the hook as shown to the wheel (Figure C). Put the spare tire in the trunk towards the back.
4. Lift the tire with the hook strap and hook it to the trunk, as shown, to assist in lifting the tire to the bracket. (Figure D).
5. Fasten spare tire to the mounting bar using the tire clamp disc, washer and knob. Securely fasten. (Figure E).
6. Store the hook strap inside the wheel cover and zip cover.

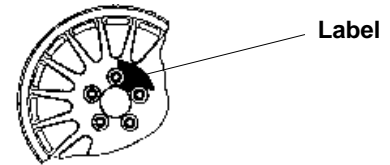


Figure A

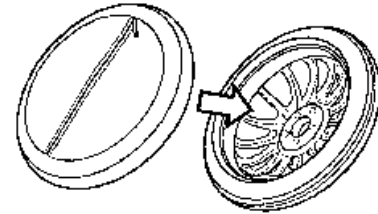


Figure B

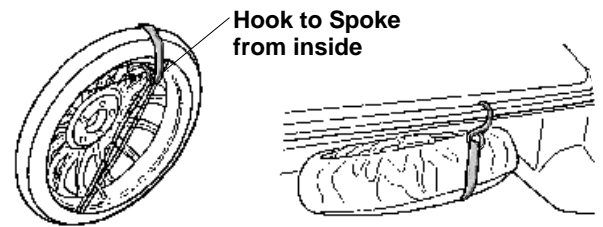


Figure C

Figure D

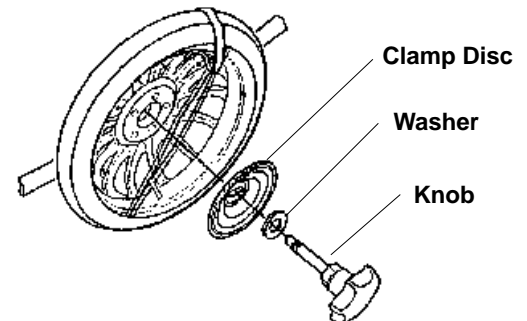


Figure E

9

Installation Clean-Up

1. Make sure trunk is clean of any debris.
2. Wipe vehicle clean of any finger prints.