

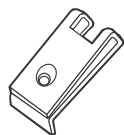
Genuine Accessories Installation Instructions

Part Number
0000-8G-L16

Front Mask

Applicable Models:
2012 > Mazda 3 s-model w/o Air Dam

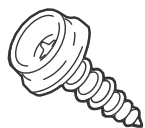
Package Contents



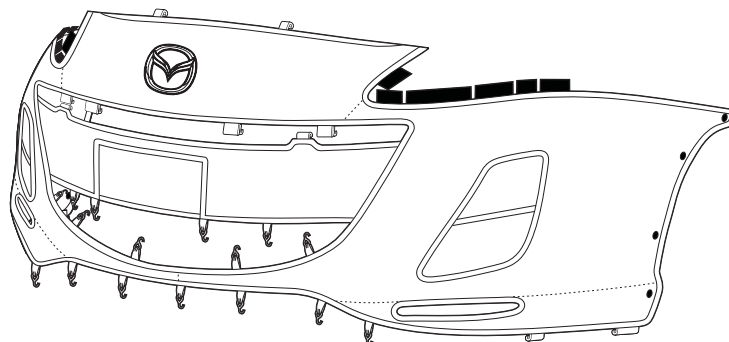
U-Nut (Qty. 8)



Washer (Qty. 8)



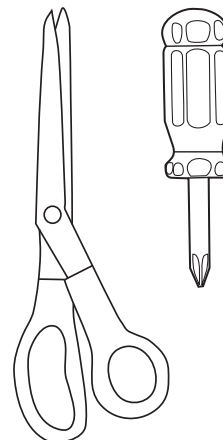
Snap Head Screw (Qty. 8)



Front End Cover (Qty. 1)

Tools Required

Stubby Phillips
Screwdriver



Scissors

0 Before Installation

- A. Area to be covered by mask must be clean. It is recommended that you wash and wax vehicle prior to installation.
- B. Both vehicle and mask must be completely dry prior to installation. If moisture under mask is allowed to dry on vehicle, paint may cloud.
- C. Any repainted surfaces in contact with mask must be allowed to cure completely. Consult paint manufacturer or repair facility if you are not sure.
- D. Dealers should provide all customers with a copy of these installation instructions for future reference.

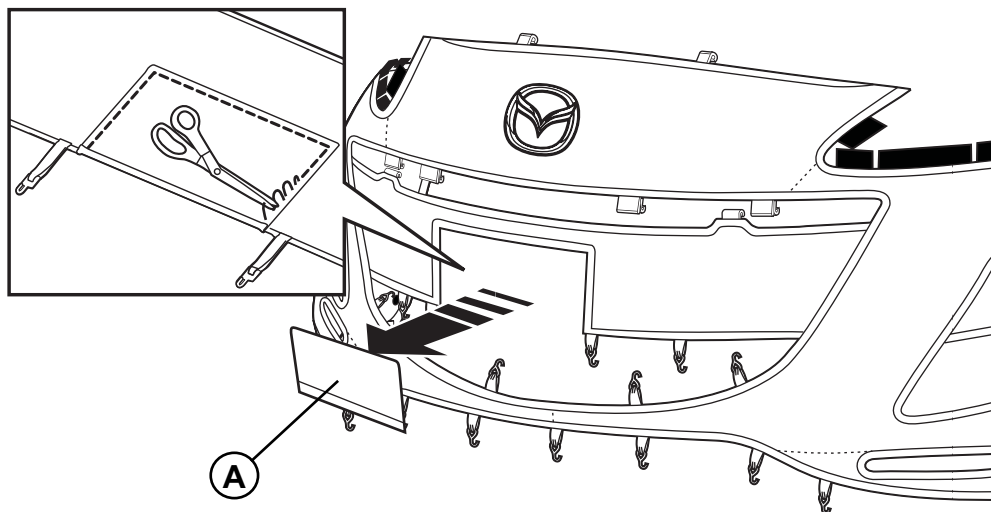
1 Display front license plate

- A. If state or provincial law requires use of front license plate, remove the piece (A) of the bumper section that covers the front license plate.

Face the inside of the mask toward you.

Carefully cut the red overcast stitching with a small pair of scissors. Remove the stitching and the license plate cover (A).

Caution: Cut out section previous to mask installation, making sure to not cut elastic straps.



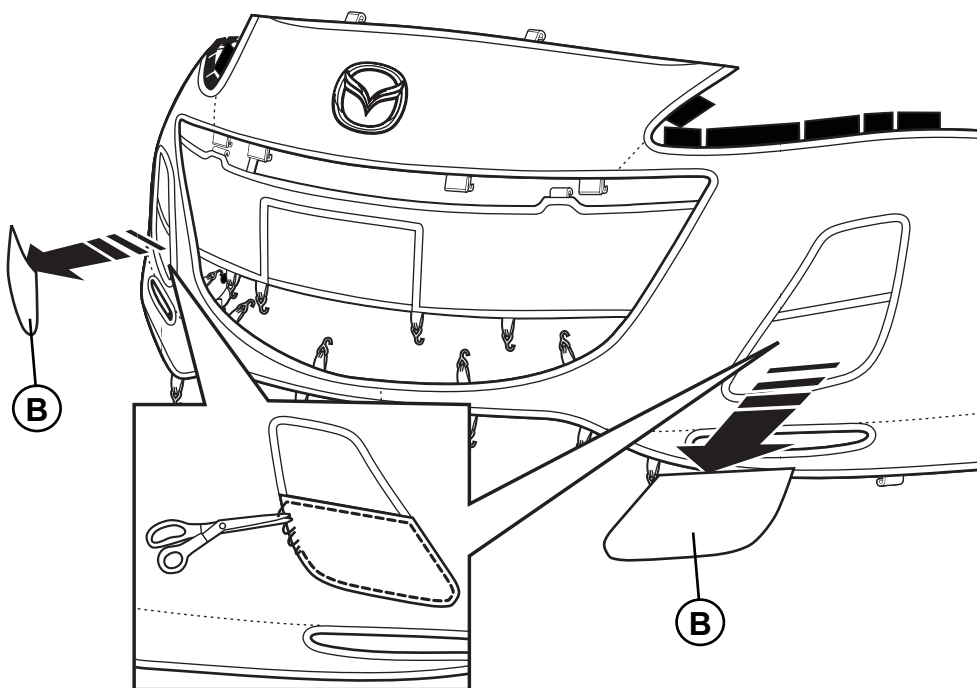
2 Enable fog light use on front end cover

A. If vehicle is equipped with fog lights, remove the pieces (B) of the bumper section that cover the fog light openings.

Face the inside of the mask toward you.

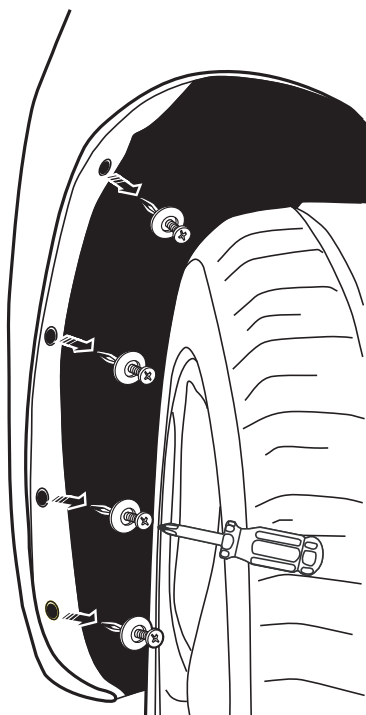
Carefully cut out the red overcast stitching with a small pair of scissors. Remove the stitching and the fog light covers (B).

Caution: Cut out section previous to mask installation, making sure to not cut away sections above fog light openings.



3 Remove wheel well fasteners

A. Using stubby phillips screwdriver, remove the four plastic fasteners illustrated below along front edge of both front wheel wells.

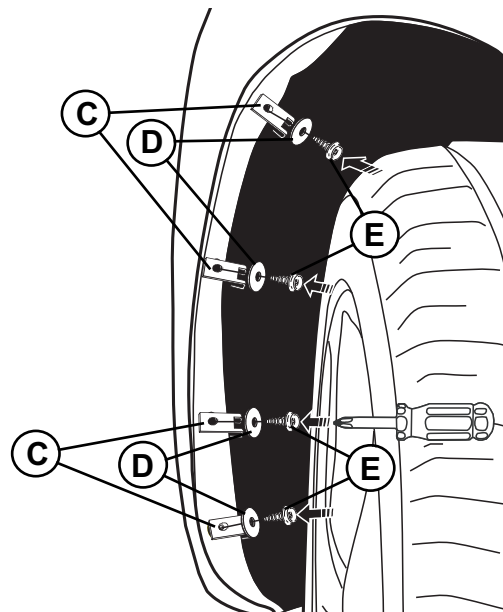


4 Install wheel well hardware

A. In both front wheel wells, lift wheel well liner to reveal holes.

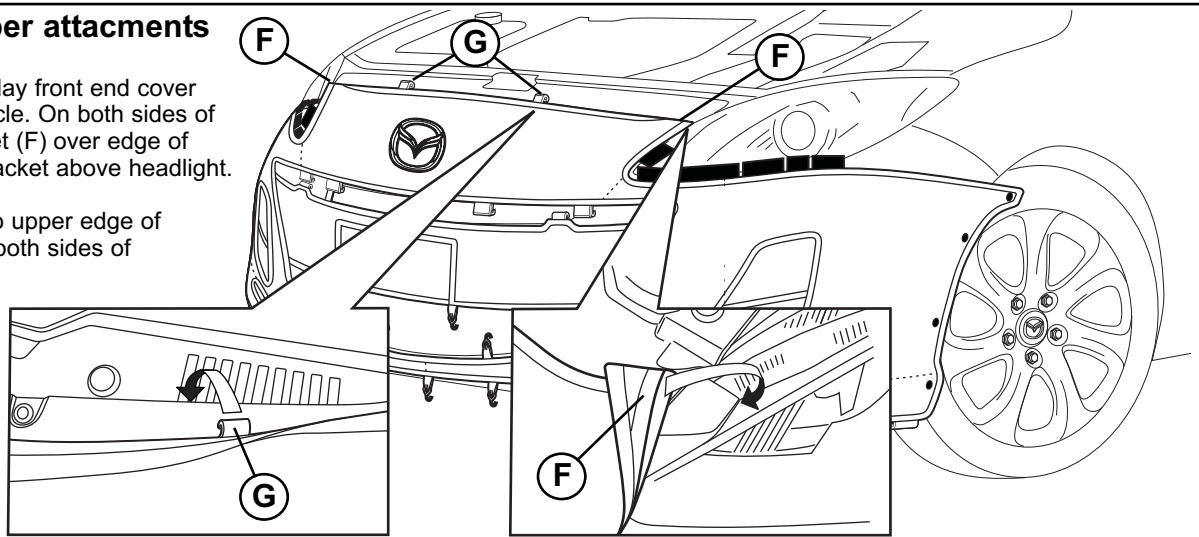
B. Slip u-nuts (C) over holes in metal edge that correspond to the front mask. Make sure that the holes are aligned properly.

C. Release liner to its original position. Using a stubby phillips screwdriver, install washer (D) and snap head screws (E) into holes with newly installed u-nuts.



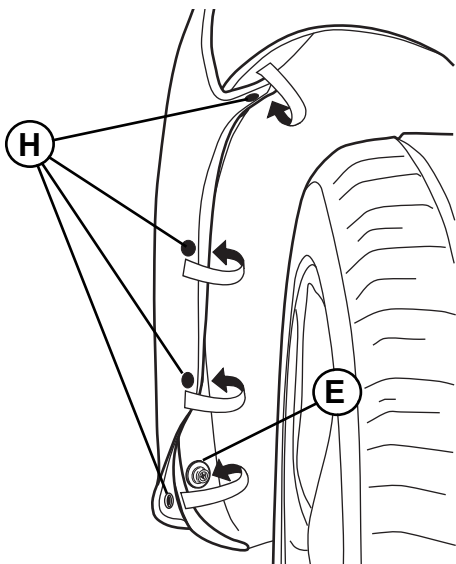
5 Install upper attachments

- A. With hood open, lay front end cover over front of vehicle. On both sides of vehicle slip pocket (F) over edge of upper bumper bracket above headlight.
- B. Attach clips (G) to upper edge of bumper fascia on both sides of hood latch.



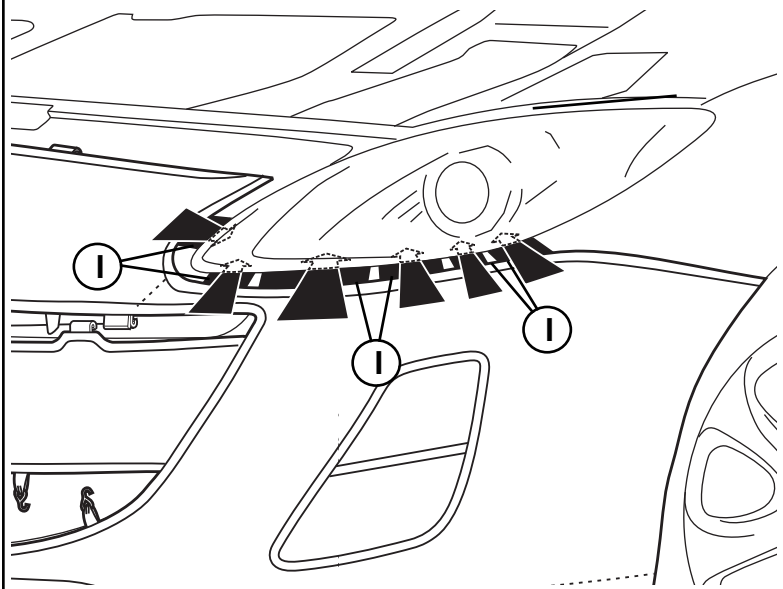
6 Install wheel well attachments

- A. Press 4 snaps (H) onto snap head screws (E) in both front wheel wells. Assistance may be required to evenly pull mask to snaps.



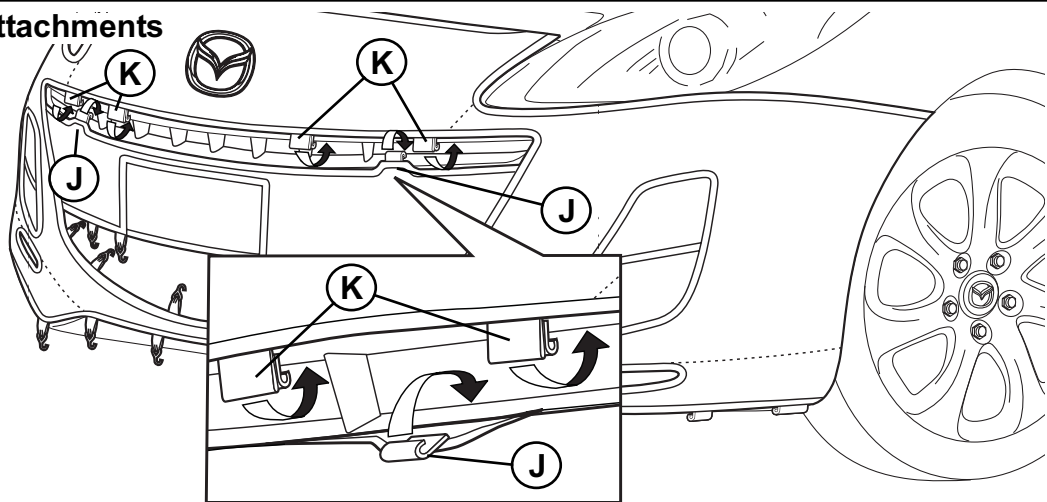
7 Install pads at headlights

- A. On driver's side, insert pads (I) in slots around headlights. Repeat on passenger's side of vehicle.



8 Install upper vent attachments

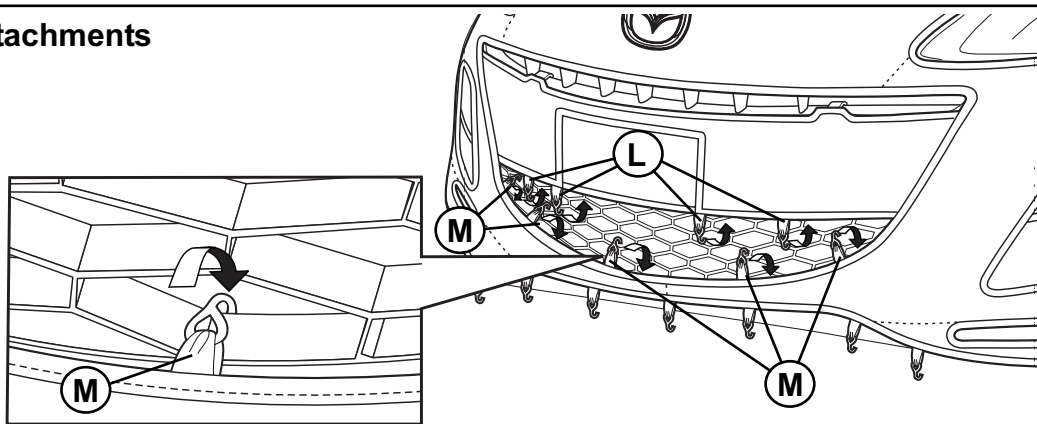
- A. Attach 2 clips (J) to back edge of fascia at bottom of upper air vent.
- B. Attach 4 clips (K) to back edge of fascia at top of upper air vent.



9 Install lower vent attachments

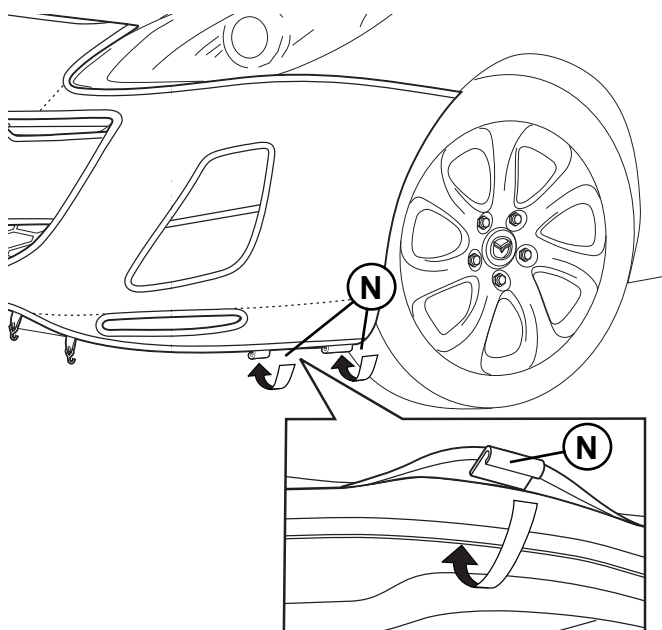
A. Attach 4 elastics with hooks (L) to back edge of grill at top of lower air vent.

B. Attach 5 elastics with hooks (M) to back edge of grill at bottom of lower air vent.



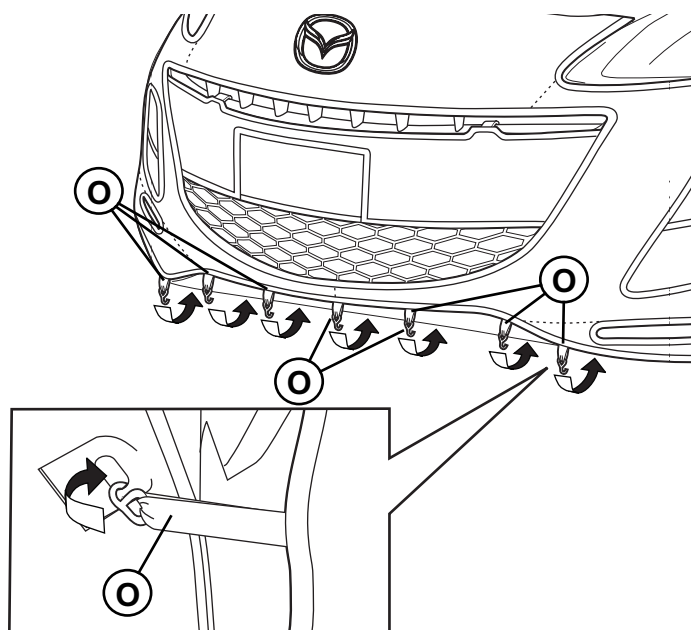
10 Install side lower attachments

A. On both sides of vehicle, attach 2 clips (N) to underside of bumper.



11 Install lower bumper attachments

A. Attach 7 elastics with hooks (O) to holes on underside of bumper.



11 Post Installation Inspection

A. If mask should flap due to high speed or wind conditions, adjust or remove mask completely.

12 Care and Cleaning

A. Always remove mask before washing vehicle.

B. Hand clean mask using mild soap, rinse thoroughly with clean water and line dry completely. Do not machine dry!

C. Use Mazda Vinyl/Leather Protectant (or equivalent) to preserve color and finish.

D. If mask is left on vehicle in rain, dirt can potentially be washed under the mask and could scratch the vehicle. It is recommended that the mask be removed and cleaned along with vehicle as instructed if left on during rain, sleet or snow.

E. **WARNING:** Running up on curb will damage this product. Manufacturer will not be responsible for damage to product due to accident or misuse.