

[< Previous](#) [Next >](#)

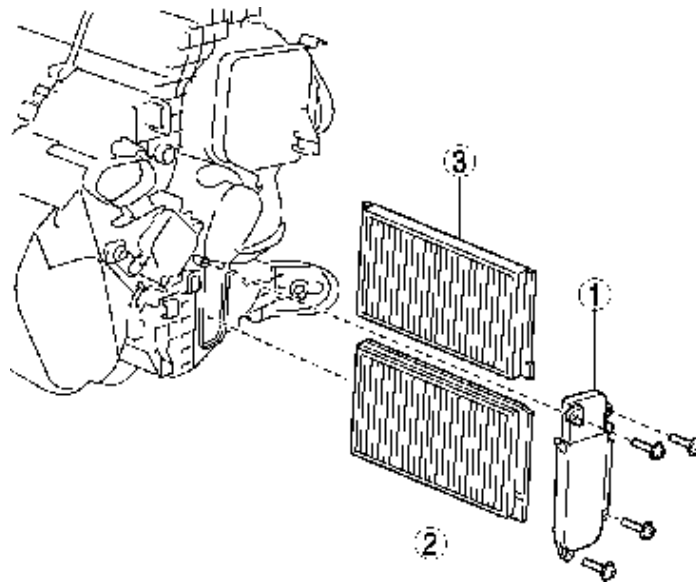
2011 - Mazda2 - HVAC

AIR FILTER REMOVAL/INSTALLATION

CAUTION:

- When installing the air filter cover, verify that the seals on the back of the cover are assembled securely. If the air filter cover is installed with the seals not properly assembled, water leakage from the A/C unit may occur.

1. Remove in the order indicated in the table.



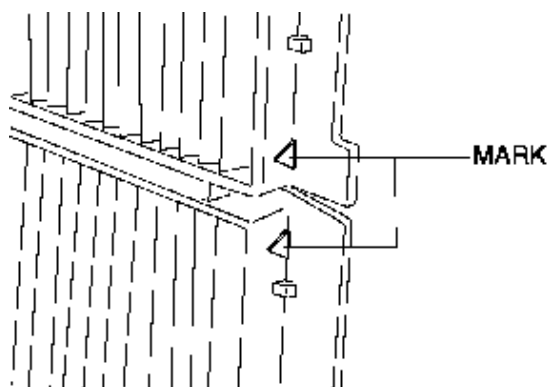
1	Air filter cover
2	Air filter (2)
	(See Air Filter Installation Note.)
3	Air filter (1)
	(See Air Filter Installation Note.)

2. Install in the reverse order of removal.

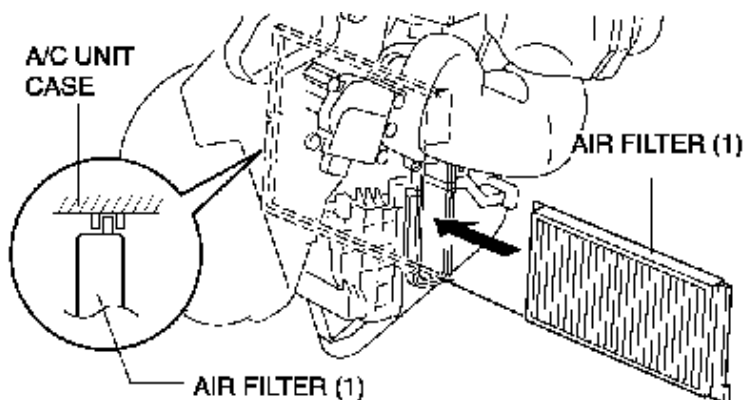
Air Filter Installation Note

NOTE:

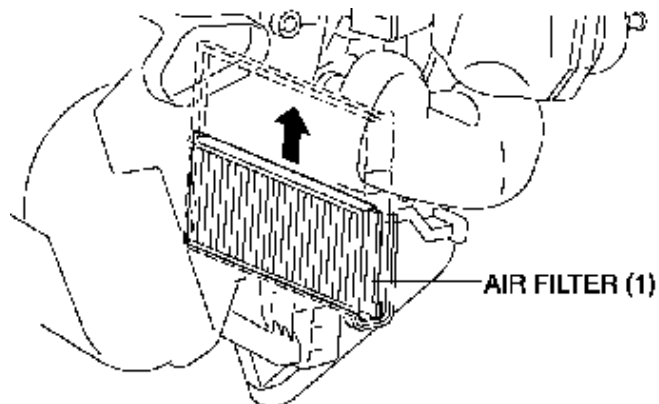
- Install the air filter so that the mark is pointed outward.



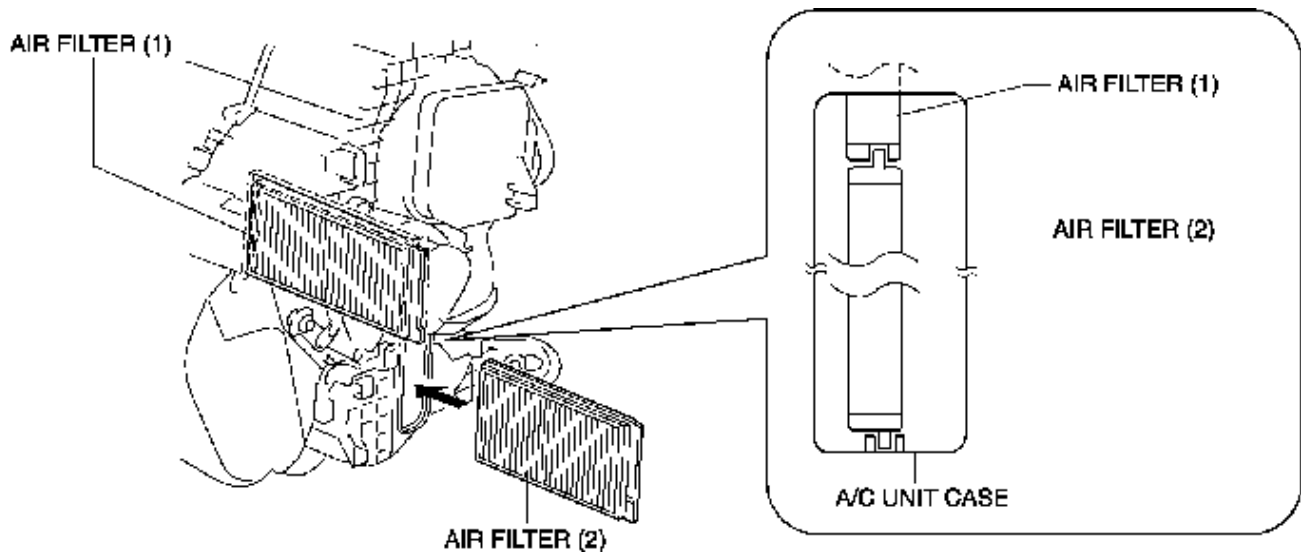
1. Insert the air filter (1) projection so that it fits into the groove on the rear surface of the A/C unit case.



2. Slide the air filter (1) in the upward direction and hold.



3. Insert the air filter (2) projection so that it fits into the groove on the lower side of the A/C unit case.



[< Previous](#) [Next >](#)

[Back to Top](#)

© 2010 Mazda North American Operations, U.S.A.