

# MAZDA Genuine Part : COVER ASSY-TONNEAU

## Instruction Manual

Applicable Vehicle Type : CX-9


Part Number : TD11 V1 350


Thank you for choosing MAZDA Genuine Part.

In order to maximize performance of the part, read the Instruction Manual carefully to understand the procedure before installation.

### <Safety Precautions>

• Please observe the following safety precautions carefully before handling.

 **Warning** : Improper handling may cause a fatal accident or serious injury.

 **Caution** : Improper handling may cause an accident, injury, or damage to the vehicle.

- Do not install/use the part for any other purpose.
- Do not install the part after modification.
- For more information about installation, please contact Mazda Distributor.
- Mazda is not responsible for damage caused by improper use.
- Be careful not to lose or damage detached parts and keep them free of grease or others.

### For distributors :

- Please give the Instruction Manual to the customer after installing the part.

### For customers :

- After reading, please keep the Instruction Manual for it may be needed when installing other parts.
- If you give away your Cover Assy-Tonneau, be sure to attach this instruction manual.

受 領		
06.9.07		
M 六 川 内	AM 杉 田	担当 水 野
マツダ株式会社 用品開発グループ		

## Brief Instructions

### COVER ASSY-TONNEAU

Covers luggage in the trunk.

Cover-assy, Tonneau



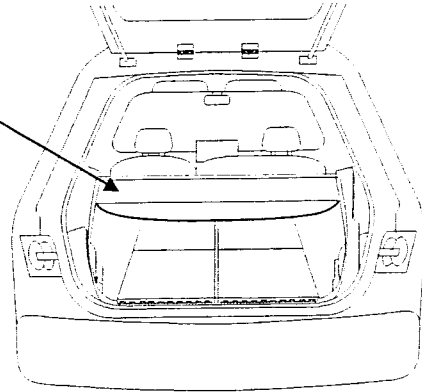
#### Caution

Do not place luggage on the tonneau cover ;  
The Luggage may travel in sudden  
braking and may cause an accident.

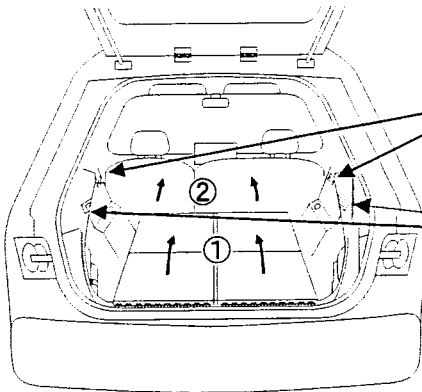


#### Caution

Please make sure the tonneau cover is fixed  
firmly. Otherwise, it may abruptly be  
detached while driving and cause injury.

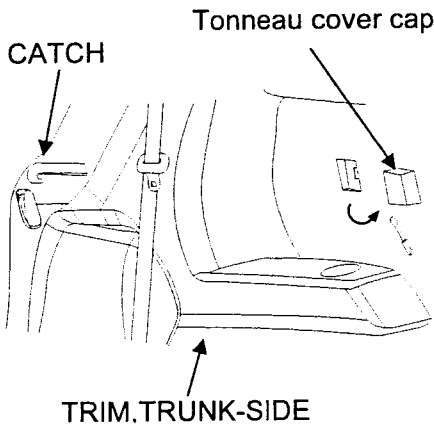


## Installation Procedure 1.Preparation



Recommended Tool

SLOTTED SCREWDRIVER



- ① Recline backrest of the third seat forward
- ② Adjust backrest of the second seat  
(by sliding or reclining) so that it is located  
forward of tonneau cover cap.
- ③ Detach the tonneau cover cap  
from trunk side trim using the sharp  
end of a slotted screw-driver.

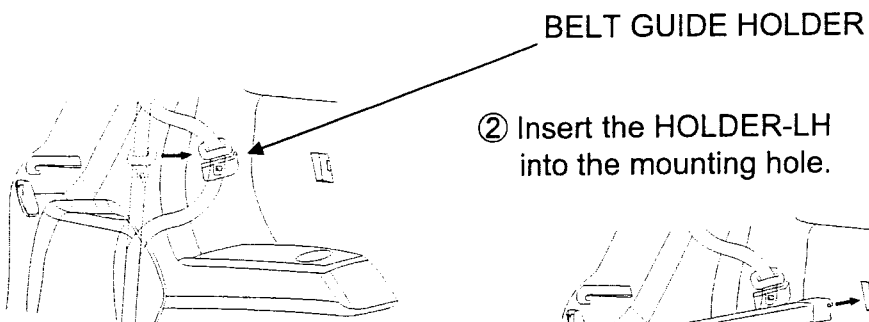


#### Caution

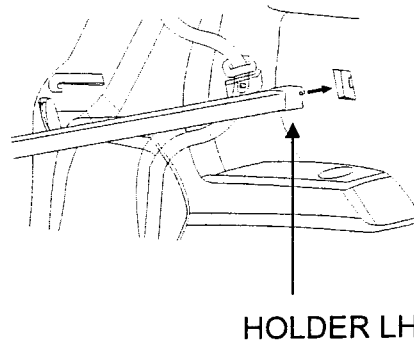
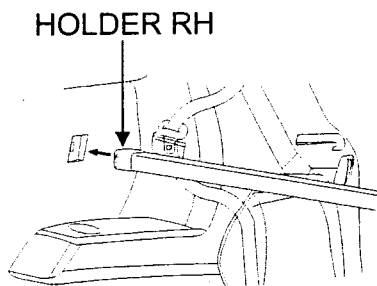
1. Be careful not to scratch vehicle parts  
when detaching the Tonneaucover Cap.
2. Keep the detached Tonneaucover Cap.

## Installation Procedure 2. Installation

- ① Insert the seat belt into BELT GUIDE-HOLDER



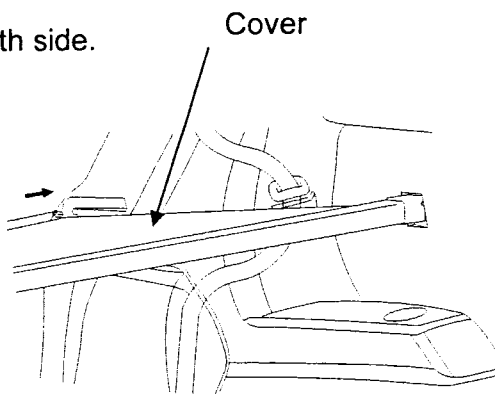
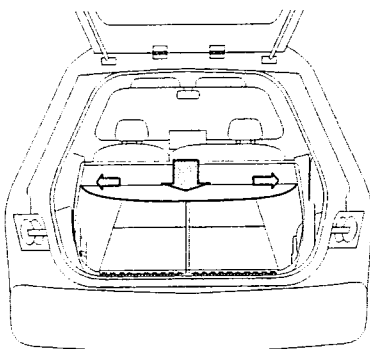
- ③ Insert the HOLDER-RH into the mounting hole.



### Caution

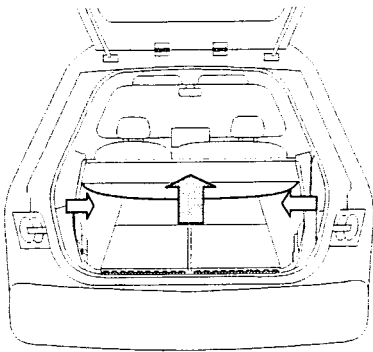
Begin with the left side.  
all the way along.

- ④ Slowly pull out the cover and fit each Hook into the Catch on both side.



## Installation Procedure 3. De-installation

- ① Unhook the Cover from each catch and let it rewind.

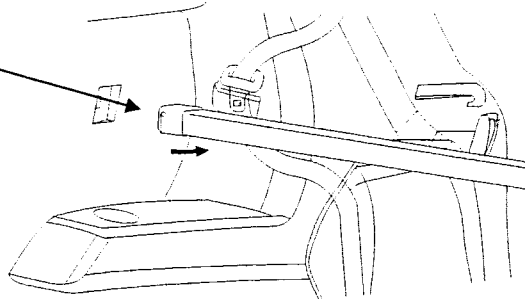


### Caution

1. Completely rewind before removing tonneau cover.
2. Slowly stretch or rewind the cover with your hands on the edge.
3. When hooking or unhooking Tonneau cover from the catches, Lift the board with your hands and do it slowly.

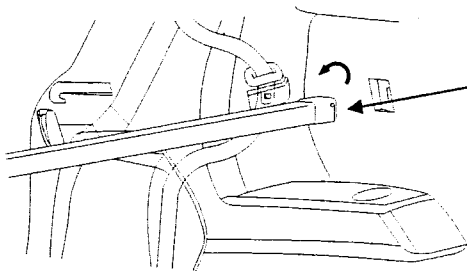
- ② Hold the body with left hand and detach holder RH from mounting hole.

HOLDER RH



- ③ Hold the body with left hand and detach holder LH from mounting hole.

HOLDER LH



### Caution

1. Begin with the Right side, all the way along.
2. Be careful not to hit the vehicle.
3. Tonneau cover has to be removed when using the third seat. When you don't use Tonneau cover, we recommend you store it in your garage or at home.
4. Use only mild detergent to clean it. Do not use solvent medium such as thinner or benzene.

Installation Check Sheet

<For dealer use>  
 Tonneau Cover for CX-9  
 TD11 V1 350

Check Items	Yes/No
Are detached parts (tonneau cover cap ) stored in vehicle?	
No damage or stain around installed part?	
Does tonneau cover work properly? (stretch and storage of tonneau cover /stretch of holder) No wrinkle or surface waviness?	
Do the second and the third seats work normally? (slideand recine)	

Installation Check of TonneauCover		
Date		
Vehicle No.		
Manager	Chief	Installed

※ Please retain this manual at least for three months.