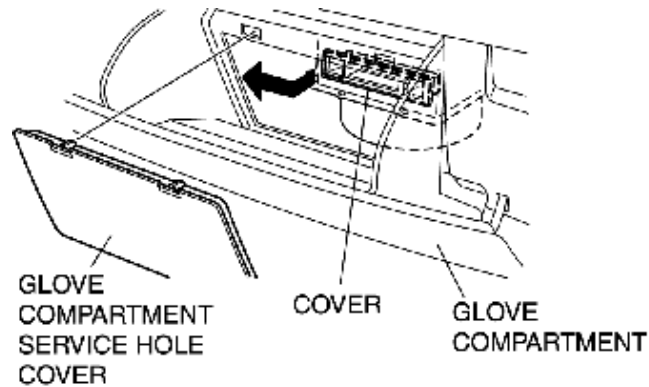


[< Previous](#) [Next >](#)

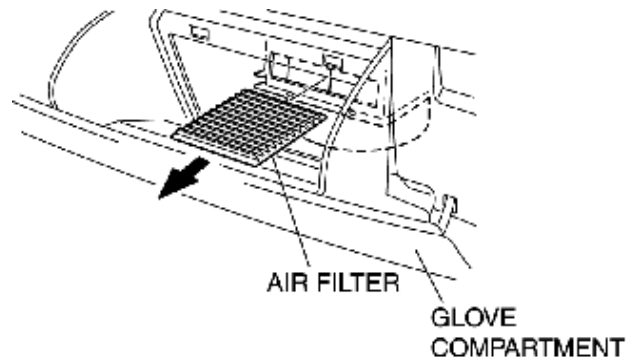
2009 - CX-9 - HVAC

AIR FILTER REMOVAL/INSTALLATION

1. Remove the glove compartment service hole cover.



2. Remove the cover in the direction of the arrow.
3. Remove the air filter in the direction of the arrow.



4. Install in the reverse order of removal.

[< Previous](#) [Next >](#)

[Back to Top](#)

© 2009 Mazda North American Operations, U.S.A.